



COOKING PASSION SINCE 1877



NEFF Appliance Range Brochure 2022

Cooking inspires people. People inspire us.

INTRODUCTION TO NEFF

Cooking inspires people. People inspire us.

At NEFF we believe that the kitchen is the heart of every home. A place to eat, meet and get creative with your cooking. With an extensive range of innovative appliances, we're constantly working to meet the demands of every lifestyle. From our unique Slide&Hide® disappearing oven door to our revolutions in steam cooking, a NEFF kitchen is equipped for even the trickiest dishes.



Contents

HOME CONNECT	4-5
OVENS	6-45
Your Guide To Ovens	6-7
Your Guide To Display Types	8-9
Your Guide To Seamless Combination®	10-11
Key Functions Guide	12-13
N90 Range of Appliances	14-15
N70 Range of Appliances	16-17
N50 Range of Appliances	18-19
Oven Accessories	20-21
Product Specification	22-35
Product Line Drawings	36-45
HOBBS	46-87
Your Guide To Hobs	46-47
Your Guide To Sizes & Finishes	48-49
Hobs by Size	50-54
Key Functions Guide	55
Accessories	56-57
Product Specification	58-77
Product Line Drawings	78-87
COOKER HOODS	88-131
Your Guide To Island Solutions	88-89
Your Guide To Wall Mounted Solutions	90-93
Your Guide To Integrated Furniture Solutions	94-95
Your Guide To Control Types	96
Key Functions Guide	97
Your Guide To Installation Options	98-99
Product Specification	100-119
Product Line Drawings	120-131
COOLING	132-165
Your Guide To Refrigeration	132-133
Your Guide To Sizes	134
Hinge Types	135
Key Functions Guide	136-137
Fridges & Freezers by Size	138-141
Product Specification	142-157
Product Line Drawings	158-165
DISHWASHERS	166-179
Your Guide To Dishwashers	166
Feature Highlights	167
N90 & N70 Range of Appliances	168
N50 & N30 Range of Appliances	168
Key Functions Guide	170-171
Product Specification	172-177
Product Line Drawings	178-179
LAUNDRY	180-187
Your Guide To Laundry	180
Key Functions Guide	181
Product Specification	182-185
Product Line Drawings	186-187
NEFF CUSTOMER SERVICE	



Home Connect

Communicate With Your Oven



START COOKING WITH THE APP AND GET NOTIFIED WHEN DINNER IS READY

For many Cookaholics, talking to their oven comes naturally. With your hands full kneading dough and rolling it out for tagliatelle, it's more than handy to start the oven and select the relevant cooking function hands-free via voice control. Our oven can talk back too: with Home Connect you can expect to receive a notification directly to your smartphone when dinner is ready. So you can focus on entertaining your guests. Being able to see all heating modes with a simple tap means you can pick the right method to suit your recipe. You can even create a favourite mode for a fast short cut, brilliant for those mid-week dinners when time is of the essence.



A World of Inspiration

With the Home Connect app, you can manage and set up your appliance routines that support you in the kitchen. Furthermore, the app also contains a bank of inspiring ideas and recipes tailored for any Cookaholic that loves original and fresh cooking.

Wake up and Smell the Coffee

YOUR FAVOURITE COFFEE AND MUSIC ARE WAITING FOR YOU IN THE KITCHEN

Just say the word and your favourite coffee will be ready in no time. If you integrate voice control into your connected kitchen, you can add an automatically prepared coffee to your morning routine and order the coffee from another room. A voice command is all it takes to get the day started with motivational music while sipping your espresso or flat white. On the subject of coffee, don't forget to use your coffee grounds to grow mushrooms – delicious when grilled.



Keep your hands on the Cooking

LET THE HOOD JUDGE THE EXTRACTION YOU NEED

When you and your hob are causing a steam storm in the kitchen, our Automatic Hood springs to life as the two appliances are connected via Wi-Fi. The hood automatically adapts the extraction rate to the cooking aromas and vapours it detects. If desired, you can even adjust the extraction via the Home Connect app or using the stylish TwistPadFire® dial on the cooktop – there's a control option to suit any mood.

Expand your Cooking Repertoire

OUR PARTNERSHIP WITH **ckbk**

ckbk offers unlimited online access to a curated collection of the world's finest cookbooks with over 80,000 recipes. Send instructions straight to your NEFF oven from ckbk recipes. Discover your NEFF oven's advanced cooking modes with a specially curated collection of recipes.

It's Super Cool to Connect

OUR WIFI-CONNECTED FRIDGE IS READY WHEN YOU ARE

Maybe you're at the supermarket doing a big shop and need to pre-cool the fridge so your groceries are chilled quicker. Or you've bought drinks for a party and need them to be cooled on time. With Super Cooling, you can get your fridge down to temperature before you get home – a few taps in the app is all it takes.



Keep Tabs

Keep track of how many dishwasher tabs you've used and when the rinse aid or salt are getting low. Home Connect will let you know how many washes you have left. And you can set this to your liking, so plenty of time to order more before running dry!



One tap and the Dishwasher does the rest

A VOICE COMMAND OR A TAP ON YOUR SMARTPHONE IS ALL IT TAKES

It's so much easier to set up your dishwasher with Home Connect, as you'll have immediate access to the settings with just a tap, which means you can set the hard water levels without bending over. To keep your machine in good working order we'll even suggest when to run a machine clean programme, monitor the number of cycles, and even help with the shopping using smart reorder via Amazon Alexa.

Your Guide To Ovens

An oven for every cookaholic

Our ovens are designed by cooks, for cooks. We're proud of our strong aesthetic values and our ovens look as great on the outside as they work on the inside. But what makes NEFF stand out is our commitment to providing a better cooking experience.

At NEFF, we appreciate that every customer has a unique set of requirements. We've done our best to make our oven range as varied as possible to suit every kitchen. There are three types of ovens in the NEFF collection, single, compact and double ovens.



Single Ovens

Your versatile kitchen companion

NEFF's iconic CircoTherm® hot air system is fitted as standard on all single ovens. It's then up to you to choose from the other features to suit your cooking style. Use your voice with Home Connect, let our Pyrolytic Self-Cleaning models make cleaning up after your creations a breeze. And if you want the benefits that steam offers, choose a model with Vario Steam®, Full Steam or Added Steam.

Stainless Steel Single Oven



Featured model:
B58VT68H0B N90 Slide&Hide® Single Pyrolytic Oven with Home Connect

Graphite Grey Single Oven



Featured model:
B6ACH7HG0B N50 Slide&Hide® Single Pyrolytic Oven

Compact Ovens

Seamless Combination meets adventurous cooking

Intended to complement our unique Slide&Hide® Oven range, our innovative 45cm Compact Ovens provide additional cavity space whilst offering a premium and seamless kitchen design. Use our SeamlessCombination® mounting kits to create your very own stylish 'mix and match' appliance wall. Our SeamlessCombination® mounting kits are available within the N90 and N70 Collections.

Designed to offer the ultimate flexibility, our compact appliances provide all of the innovative features you'd expect from a NEFF Single Oven. With CircoTherm® as standard across most Compact Ovens, multiple

dishes can be cooked simultaneously without any intermingling of flavours. Plus, selected models offer our innovative Pyrolytic Self-Cleaning function to make oven cleaning a chore of the past.

If you're looking to push the boundaries with creative cooking our Compact Full Steam and Compact Microwave Ovens are must-have appliances for your kitchen. Pair one of our Compact Ovens with a Single Slide&Hide® Oven to create a more versatile and larger cooking capacity than a standard Double Oven offers.

The beauty of a microwave combination model is that it can mimic all the benefits of a traditional oven in a fraction of the time.

Stainless Steel Compact Oven



Featured model:
C18FT56H0B N90 Compact Steam Oven with Home Connect

Graphite Grey Compact Oven



Featured model:
C1AMG84G0B N50 Compact 45cm Microwave Combination Oven

Double Ovens

Double the space, double the cooking

With the convenience of two oven cavities, our built-in Double Ovens provide any cookaholic with plenty of cooking space without impacting on kitchen design. Featuring NEFF's CircoTherm® technology in the main oven and Pyrolytic Self-Cleaning, it's possible to cook different dishes on multiple levels without any intermingling of flavours or mess to clean up.

Stainless Steel Double Oven



Featured model:
U2ACM7HH0B N50 Pyrolytic Double Oven

Graphite Grey Double Oven



Featured model:
U2ACM7HG0B N50 Pyrolytic Double Oven

Your Guide To Display Types

A design for every cookaholic

To help take your customer through the range available on our oven range this section shows the user interface information, seamless installation guide, an overview of the key features and then a clear matrix to show the appliances within each collection.

N90 Full Touch with Large Colour TFT Display



Full Touch Control display; 5.7" high resolution TFT colour graphics display

Intuitive display with fingertip control

- Innovative Full Touch Control.
- Operated by touch or swiping the high-resolution colour TFT display.

N70 Small Shift Control



Small Shift Control; 2.5" high resolution TFT colour graphics display

Premium yet practical

- Smaller touch control with a shift panel to ease navigation.

N 90 Medium Shift Control



Medium Shift Control; 4.1" high resolution TFT colour graphics display

Offering the best of both

- Medium Touch Control with a shift panel to ease navigation.

N50: Electronic Control with Medium LCD Display



Medium LCD White electronic display

Traditional yet precise navigation

- Retractable dial control.
- Large LCD display.

N50: Small LCD Display



Small LCD White display

Simplicity at its best

- Retractable dial control.
- Small LCD display.

Your Guide To Seamless Combinations

Mix and match your appliances

Create your perfect kitchen by choosing your very own appliance combination and cooking features to suit your lifestyle. With our SeamlessCombination® strips you can seamlessly combine our N 90 and N 70 Collection of single ovens and compact appliances to create a sleek and stylish finish.

N 90

Seamless Combination® strips – Z11SZ60X0

For 45cm Compact Oven with 14cm Warming Drawer



Seamless Combination® strips – Z11SZ80X0

For 60cm Single Slide&Hide® Oven with 29cm Warming Drawer



Seamless Combination® strips – Z11SZ90X0

For 60cm Single Slide&Hide® Oven with 45cm Compact Oven (special aperture applies)



Compact Oven – C27CS22H0B

CircoTherm® Compact Oven with Full Touch Control N 90



Single Oven – B58VT68H0B

Slide&Hide® Single Oven with Pyrolytic Self-Cleaning, Vario Steam and Full Touch Control N 90



Warming Drawer – N17HH10N0B

N 70 and N 90

Warming Drawer – N17HH20N0B

Warming Drawer N 90/N 70

Compact Oven – C27CS22H0B

Compact Oven with Shift Control Fascia 4.1" N 90



Single Oven – B57CS24H0B

Slide&Hide® with Single Pyrolytic Oven and with Shift Control Fascia 4.1" N 90

N 70

Seamless Combination® strips – Z11SZ60X0

For 45cm Compact Oven with 14cm Warming Drawer



Seamless Combination® strips – Z11SZ80X0

For 60cm Single Slide&Hide® Oven with 29cm Warming Drawer



Seamless Combination® strips – Z11SZ90X0

For 60cm Single Slide&Hide® Oven with 45cm Compact Oven (special aperture applies)



Compact Oven – C17MR02N0B

Compact Combination Oven with Microwave with Shift Control Fascia 2.5" N 70



Single Oven – B57CR22N0B

Slide&Hide® Single Oven with Pyrolytic Self-Cleaning with Shift Control Fascia 2.5" N 70



Warming Drawer – N17HH10N0B

Warming Drawer N 70 and N 90

Warming Drawer – N17HH20N0B

Warming Drawer N 90/N 70

Compact Oven – C17MR02N0B

Compact Combination Oven with Microwave with Shift Control Fascia 2.5" N 70



Single Oven – B57CR22N0B

Slide&Hide® Single Pyrolytic Oven with Shift Control Fascia 2.5" N 70

Key Functions Guide

Cooking Functions



CIRCOTHERM®

The CircoTherm® Power Boost function speeds things up even more when cooking for short periods of time – just put the food in and start the oven.



CIRCO ROASTING

An ideal function for cooking meat and poultry for a rotisserie result where the fan and top element alternatively come on.



TOP/BOTTOM HEAT

Providing conventional cooking heat sources at the top and bottom of the oven. Heat travels to the centre of the oven by natural conduction. Ideal for baking pastries and scones.



CENTRE SURFACE GRILL

You can use just the centre section of the grill for smaller quantities.



LOW TEMPERATURE COOKING

A special setting for hob-sealed prime cuts of meat and poultry. Meat/poultry is placed in a pre-heated dish and transferred into the oven. The low temperature setting uses a fixed temperature to gently tenderise without overcooking, resulting in meat/poultry that is juicy and melts in the mouth.



BREAD BAKING

Bread baking temperature varies between 180°C and 220°C. Ideally suited to baking crusty bread with an open texture. Up to three levels of bread can be baked at the same time.



KEEP WARM

An ideal setting for keeping food warm without drying it out before serving. Typically set between 66°C to 100°C.



CIRCOTHERM® GENTLE

Optimised for gentler cooking and baking on one level. It's perfect for frozen or convenience foods, bread, cakes and meats. Available on all electronically controlled ovens.



CIRCOTHERM® INTENSIVE

Uses a combination of CircoTherm® and bottom heat, ideal for foods that need a crispy underside like pizzas or speciality breads. It can also be used for one stage pastry such as lemon meringue pie, eliminating the need for blind baking.



BOTTOM HEAT

Providing heat from the bottom of the oven, this method is ideal for pizza bases and pastry cases to create a crispy underside or for bain marie and casseroles.



FULL SURFACE GRILL

The grill element is situated in the oven roof. It is thermostatically controlled and will cycle on and off to maintain the required temperature.



DEFROST

The CircoTherm® fan circulates air through the oven to speed up defrosting times while retaining food colour and moisture. Ideal for delicate foods as well as fish and poultry.



DOUGH PROVING

This function provides a warm, moist environment which gives perfect conditions for proving any yeasted dough.



PLATE WARMING

Hot air is circulated at up to 65°C to safely warm plates and service dishes in preparation for dinner.

Special Features



HOME CONNECT

Control your oven directly from a Smart Device App or Voice Command.



MEAT PROBE

The Multi Point Meat Probe measures the joint's heat at three points and the Single Point Meat Probe measures in one point, ensuring the right core temperature is reached, so you can take the roast out when it's ready.



BAKING AND ROASTING ASSISTANT

Baking & Roasting Assistant helps you to Cook Meals with ease, by simply selecting pre-selected food items from the Bake & Roast Assist menu. Select your dish on the display you will find a suggested temperature & cooking time. For Baking, Roasting & Grilling the entire process gives perfect cooking results

Cooking Functions With Steam



VARIO STEAM®

Vario Steam® gives dishes just the right amount of moisture by adding steam at three intensity levels, for baking, roasting or just heating up. Foods come out with more intense flavour and an appetising appearance.



FULL STEAM

Make your favourite dishes healthier by locking in food's nutrients and flavour with our Full Steam function. It's easy to operate and also simple to refill the one litre water container – press a button to open the front panel, remove the container, fill it and you're ready to steam ahead.



SOUS VIDE

By cooking at very low temperatures (55°C – 60°C) Sous Vide seals in flavour and achieves beautiful uniform results. With the option to cook in selected single or compact steam ovens.



REHEAT

Reheat allows you to gently warm dishes again – and thanks to the moisture in the oven, they will look and taste freshly prepared.

Oven Cleaning Functions



PYROLYTIC SELF-CLEANING

Pyrolytic cleaning is a self-cleaning system for ovens. The process superheats the oven to approximately 485°C, which burns off any deposits from baking, roasting and grilling. This creates a perfectly clean oven and a residue of fine dust that's easily removed with a damp cloth.



OVEN CLEANING

A special electronic setting designed to keep EcoClean® surfaces inside the oven as clean as possible. Used on a regular basis, it can keep the oven's interior lining remarkably clean with minimal maintenance required.



BASE CLEAN

Base Clean helps clean the bottom of the oven by softening dirt with warm water. After the programme has finished you just have to wipe the base with a damp cloth.



EASYCLEAN®

For a lightly soiled oven, put approximately 400ml of water and a drop of washing-up liquid in the base pan and then select the EasyClean® programme. It softens baked-on residue so you can just wipe it down, for fast and uncomplicated oven cleaning.



DESCALING

All NEFF steam appliances contain a descaling programme which can be set according to the hardness of the water.



ECOCLEAN®

EcoClean® is a microfine ceramic bead coating on the oven's interior back, top or sides, depending on the model. It has a very large surface area, making it extremely absorbent. It absorbs fat droplets and keeps the inside of the oven clean.

AUTOMATIC SAFETY SWITCH OFF

For electronic ovens only, this feature will automatically cut in if no changes to the settings on the appliance have been made in a long time, giving you complete peace of mind.

Temperature range	Automatic switch off after
Under 140°C	73 hours
141 – 200°C	6 hours
201 – 250°C	3 hours
251°C	2 hours

N90 Range of Appliances

- Slide&Hide® Single Oven with Rotating Handle
- Black Glass with Steel Trim
- Full Touch TFT



Full Touch Control display; 5.7" high resolution TFT colour graphics display

Appliances listed in the table below all have the same fascia panel and are designed to co-ordinate perfectly together. Listed are some of the key features to help identify the correct appliance for your customer with topline features highlighted - refer to the matrix table for full specification.

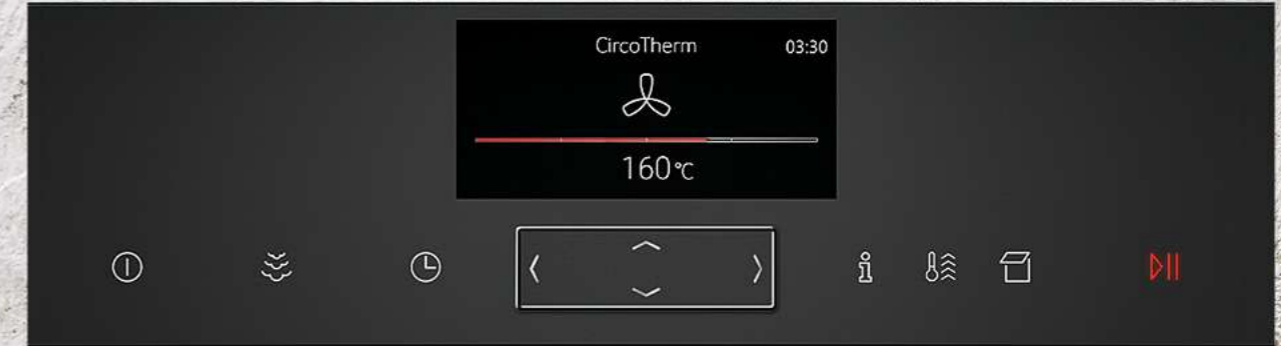
SLIDE&HIDE® SINGLE OVENS					
Oven Type	Steam Function	No of Functions	Including	Home Connect	Model Number
Pyrolytic Oven	VarioSteam	14	CircoTherm, NeffLight, MultiPoint MeatProbe	✓	B58VT68H0B
Pyrolytic Oven		15	CircoTherm, NeffLight, MultiPoint MeatProbe	✓	B58CT68H0B
Single Oven	VarioSteam/ FullSteam/ SousVide	13	CircoTherm, NeffLight, MultiPoint MeatProbe	✓	B48FT78H0B

COMPACT APPLIANCES – 45CM					
Oven Type	Steam Function	No of Functions	Including	Home Connect	Model Number
Oven with Microwave		13	CircoTherm, MultiPoint MeatProbe		C28MT27H0B
Steam Oven	VarioSteam/ FullSteam / SousVide	12	CircoTherm		C18FT56H0B
Coffee Machine		8		✓	C17KS61H0

CO-ORDINATING WARMING DRAWERS					
Drawer Type	No of Functions	Including	Home Connect	Model Number	
14cm high vacuum drawer for Sous Vide	4	Push-Pull opening		N17XH10N0	
14cm high, heated ceramic base	4	Push-Pull opening		N17HH10N0B	
14cm high, heated ceramic base	4	Handle		N17HH11N0B	
29cm high, heated ceramic base	4	Push-Pull opening		N17HH20N0B	

ACCESSORY DRAWER					
Drawer Type	No of Functions	Including	Home Connect	Model Number	
14cm high, accessory drawer		Push-Pull opening		N17ZH10N0	

- Slide&Hide® Single Oven with Rotating Handle
- Black Glass with Steel Trim
- Medium TFT Display with Shift Control



Medium Shift Control; 4.1" high resolution TFT colour graphics display

Appliances listed in the table below all have the same fascia panel and are designed to co-ordinate perfectly together. Listed are some of the key features to help identify the correct appliance for your customer with topline features highlighted - refer to the matrix table for full specification.

SLIDE&HIDE® SINGLE OVENS					
Oven Type	Steam Function	No of Functions	Including	Home Connect	Model Number
Pyrolytic Oven	VarioSteam	13	CircoTherm		B57VS24H0B
Pyrolytic Oven		13	CircoTherm		B57CS24H0B
Single Oven	VarioSteam/ FullSteam	12	CircoTherm		B47FS34H0B
Single Oven	VarioSteam	13	CircoTherm		B47VS34H0B
Single Oven		13	CircoTherm		B47CS34H0B

COMPACT APPLIANCES – 45CM					
Oven Type	Steam Function	No of Functions	Including	Home Connect	Model Number
Oven		13	CircoTherm		C27CS22H0B
Steam Oven	VarioSteam/ FullSteam	12	CircoTherm		C17FS32H0B
Oven with Microwave		12	CircoTherm		C27MS22H0B
Oven with Microwave		12	CircoTherm		C17MS32H0B

CO-ORDINATING WARMING DRAWERS					
Drawer Type	No of Functions	Including	Home Connect	Model Number	
14cm high vacuum drawer for Sous Vide	4	Push-Pull opening		N17XH10N0	
14cm high, heated ceramic base	4	Push-Pull opening		N17HH10N0B	
14cm high, heated ceramic base	4	Handle		N17HH11N0B	
29cm high, heated ceramic base	4	Push-Pull opening		N17HH20N0B	

ACCESSORY DRAWER					
Drawer Type	No of Functions	Including	Home Connect	Model Number	
14cm high, accessory drawer		Push-Pull opening		N17XH10N0	

N70 Range of Appliances

- Single Ovens - Black Glass with Steel Trim
- Small TFT Display with ShiftControl



Small Shift Control; 2.5" high resolution TFT colour graphics display

Appliances listed in the table below all have the same fascia panel and are designed to co-ordinate perfectly together. Listed are some of the key features to help identify the correct appliance for your customer with topline features highlighted - refer to the matrix table for full specification.

SLIDE&HIDE® SINGLE OVENS

Oven Type	Steam Function	No of Functions	Including	Model Number
Pyrolytic Oven	VarioSteam	12	CircoTherm	B57VR22N0B
Pyrolytic Oven		12	CircoTherm	B57CR22N0B
Single Oven	VarioSteam	12	CircoTherm	B47VR32N0B
Single Oven		12	CircoTherm	B47CR32N0B

OVENS WITH DROP DOWN DOOR

Pyrolytic Oven		12	CircoTherm	B27CR22N1B
Single Oven		12	CircoTherm	B17CR32N1B

COMPACT APPLIANCES - 45CM

Oven Type	Steam Function	No of Functions	Including	Model Number
Oven with Microwave		6	CircoTherm	C17MR02N0B
Microwave Oven			Up to 900W Microwave, Touch Control buttons	C17UR02N0B

COMPACT APPLIANCES - 38CM

Microwave Oven - Left Hinged		5	Up to 900W, 21L, grill	C17GR00N0B
Microwave Oven - Right Hinged		5	Up to 900W, 21L, grill	C17GR01N0B
Microwave Oven - Left Hinged		5	Up to 900W, 21L	C17WR00N0B
Microwave Oven - Right Hinged		5	Up to 900W, 21L	C17WR01N0B

CO-ORDINATING DRAWERS

Drawer Type	No of Functions	Including	Home Connect	Model Number
14cm high, heated ceramic base	4	Push-Pull opening		N17HH10N0B
14cm high, heated ceramic base	4	Handle		N17HH11N0B
29cm high, heated ceramic base	4	Push-Pull opening		N17HH20N0B
14cm high accessory drawer		Push-Pull opening		N17ZH10N0

Introducing Graphite Grey to the N50 Collection

The introduction of Graphite Grey to the N50 range offers a suite of appliances in this rich new dark shade. Graphite Grey is available as an alternative to stainless steel for Slide&Hide®, pyrolytic and added steam on single ovens, double ovens and coordinating compacts, microwaves and warming drawers.



THE NEFF OVEN COLLECTIONS

HOBBS

VENTILATION

REFRIGERATION

DISHWASHING

LAUNDRY

N50 Range of Appliances

N50: Electronic Control with Medium LCD Display



Medium LCD White electronic display

N50: Small LCD Display



Small LCD White display

Appliances listed in the table below all have the same fascia panel and are designed to co-ordinate perfectly together. Listed are some of the key features to help identify the correct appliance for your customer with topline features highlighted - refer to the matrix table for full specification. You can now choose between Black with Stainless Steel and Graphite Grey finishes.

SLIDE&HIDE® SINGLE OVENS WITH LCD DISPLAY

Oven Type	Steam Function	No of Functions	Including	Home Connect	Colour	Model Number
Single Pyrolytic Oven		8	CircoTherm, Fixed handle	✓	Black with Graphite-Grey Trim	B6ACH7HG0B
Single Pyrolytic Oven		8	CircoTherm, Fixed handle	✓	Black with Steel Trim	B6ACH7HH0B
Single Oven		6	CircoTherm, Rotating handle		Black with Steel Trim	B4ACF1AN0B
Single Oven	Added Steam	8	CircoTherm, Fixed handle	✓	Black with Graphite-Grey Trim	B3AVH4HG0B
Single Oven	Added Steam	8	CircoTherm, Fixed handle	✓	Black with Steel Trim	B3AVH4HH0B
Single Oven		7	CircoTherm, Fixed handle	✓	Black with Graphite-Grey Trim	B3ACE4HG0B
Single Oven		7	CircoTherm, Fixed handle		Black with Steel Trim	B3ACE4HN0B

SINGLE OVENS WITH DROP DOWN DOOR WITH LCD DISPLAY

Oven Type	Steam Function	No of Functions	Including	Home Connect	Colour	Model Number
Pyrolytic Oven		8	CircoTherm	✓	Black with Steel Trim	B2ACH7HH0B
Single Oven		6	CircoTherm		Black with Steel Trim	B1ACE4HN0B
Single Oven		6	CircoTherm		White with Steel Trim	B1ACE4HW0B

DOUBLE OVENS WITH DROP DOWN DOOR WITH LCD DISPLAY

Oven Type	Steam Function	No of Functions	Including	Home Connect	Colour	Model Number
Double Pyrolytic Oven		Main 8 Second 4	CircoTherm, Pyrolytic for both ovens	✓	Black with Graphite-Grey Trim	U2ACM7HG0B
Double Pyrolytic Oven		Main 8 Second 4	CircoTherm, Pyrolytic for both ovens	✓	Black with Steel Trim	U2ACM7HH0B
Double Oven		Main 7 Second 4	CircoTherm, EcoClean roof, back and sides for both ovens		Black with Steel Trim	U1ACI5HN0B
Double Oven		Main 7 Second 4	CircoTherm, EcoClean roof, back and sides for both ovens		Black with Steel Trim	U1ACE5HN0B
Double Oven		Main 5 Second 4	CircoTherm		Black with Graphite-Grey Trim	U1ACE2HG0B
Double Oven		Main 5 Second 4	CircoTherm		Black with Steel Trim	U1ACE2HN0B
Double Oven		Main 5 Second 4	CircoTherm		White with Steel Trim	U1ACE2HW0B

BUILT-UNDER DOUBLE OVENS WITH LCD DISPLAY

Oven Type	Steam Function	No of Functions	Including	Home Connect	Colour	Model Number
Built - Under Double Oven		Main 7 Second 4	CircoTherm Main Oven, EcoClean back, LCD display Second Oven, EcoClean roof, back and sides		Black with Steel Trim	J1ACE4HN0B
Built - Under Double Oven		Main 6 Second 4	CircoTherm Main oven, 1 ClipRail, LCD display		Black with Steel Trim	J1ACE2HN0B

COMPACT APPLIANCES - 45CM WITH LCD DISPLAY

Oven Type	Steam Function	No of Functions	Including	Home Connect	Colour	Model Number
Microwave Combination Oven		5	3-in-1 MW, Oven & Steamer; Multiple combination options, 30 automatic programmes		Black with Steel Trim	C1APG64N0B
Microwave Combination Oven		3	MW & Oven with combination options, 15 automatic programmes		Black with Graphite-Grey Trim	C1AMG84G0B
Microwave Combination Oven		3	MW & Oven with combination options, 15 automatic programmes		Black with Steel Trim	C1AMG84N0B

COMPACT APPLIANCES - 38CM WHITE LED DISPLAY

Oven Type	Steam Function	No of Functions	Including	Home Connect	Colour	Model Number
Microwave Oven		5	Up to 900W, 25L, grill		Black with Steel Trim	HLAGD53N0B
Microwave Oven		5	Up to 900W, 25L		Black with Steel Trim	HLAWD53N0B
Microwave Oven		5	Up to 900W, 25L		White with Steel Trim	HLAWD53W0B
Microwave Oven		5	Up to 900W, 25L		Black with Graphite-Grey Trim	HLAWD23G0B
Microwave Oven		5	Up to 800W, 25L		Black with Steel Trim	HLAWD23N0B
N30 - Microwave Oven		5	Up to 800W, 20L, electronic red LCD display		Black with Steel Trim	HLAGW25S3B

CO-ORDINATING WARMING DRAWERS

Drawer Type	No of Functions	Including	Home Connect	Colour	Model Number
29cm high	3	Push-Pull opening		Black with Steel Trim	N1AHA02N0B
14cm high	3	Push-Pull opening		Black with Graphite-Grey Trim	N1AHA01G0B
N30 - 14cm high	3	Push-Pull opening		Black with Steel Trim	N1AHA01N0B

Oven Accessories

OPTIONAL ROASTING AND BAKING ACCESSORIES FOR OVENS AND COMPACTS

Series	Description	Suitable for	Model Number
N 90, 70, 50	Full width wire shelf	N 90 & N 70 single and compact ovens and N 50 ovens	Z11CR10X0
N 90, 70	Colour coordinated full width enamelled baking tray	N 90, N 70 single and compact ovens	Z12CB10A0
N 50	Colour-coordinated full width enamelled baking tray	N 50 single and double ovens	Z11CB10E0
N 90, 70	Colour-coordinated full width extra deep enamelled pan	N 90, N 70 single and compact ovens	Z12CM10A0
N 90, 70, 50	Full width baking tray with non-stick coating	N 90, N 70 and N 50 single and double ovens	Z11AB15A0
N 90, 70, 50	Two-piece enamelled anti-splash pan insert	N 90, N 70 single and compact ovens and N 50 single and double ovens	Z12CQ10A0
N 90, 70, 50	Bread & pizza baking stone with paddle	All single & double ovens	Z1913X0
N 90, 70, 50	Full width glass tray	All single and double ovens and selected N 90, N 70 compact ovens	Z11GU20X0
N 90, 70, 50	5.4L capacity oval glass casserole dish with lid	All single and double ovens and selected N 90, N 70 compact ovens	Z11GT10X3

OPTIONAL TELESCOPIC RAIL ACCESSORIES FOR OVENS AND COMPACTS

Series	Description	Suitable for	Model Number
N 90, 70	Pair of additional ComfortFlex telescopic rails	Designed to affix to N 90, N 70 60cm single ovens without FullSteam and with factory fitted ComfortFlex rails	Z11TC10X0
N 90, 70	Shelf supports and single level ComfortFlex telescopic rail	N 90 & N 70 Design 60cm single ovens without FullSteam and without factory fitted ComfortFlex rails	Z11TC16X0
N 90, 70	Pair of ComfortFlex telescopic rails designed to affix to accessories	Z13TC16X0 (60cm) & Z13TC14X0 (45cm) for N 90, N 70 FullSteam models with factory fitted ComfortFlex rails	Z13TC10X0
N 90, 70	Shelf supports and single level ComfortFlex telescopic rail	N 90 & N 70 Design 45cm compact FullSteam combination ovens without factory fitted ComfortFlex rails	Z13TC14X0
N 90, 70	Shelf supports and single level ComfortFlex telescopic rail	N 90 & N 70 Design FullSteam 60cm single ovens without factory fitted ComfortFlex rails	Z13TC16X0
N 90, 70, 50	3 level fully extendable telescopic rails	N 90, N 70 single ovens and N 50 single and double ovens	Z11TF36X0
N 50	1 pair of level independent ClipRail telescopic rails	N 50 single and double ovens	Z11TI15X0

OPTIONAL INSTALLATION ACCESSORIES FOR OVENS AND COMPACTS

Series	Description	Suitable for	Model Number
N 90, 70	Metal platform and brackets suited to combinations of Slide&Hide®	N 90 & N 70 Design single ovens and 45cm Compact ovens in column (special single apertures required)	Z11SZ00X0
N 90, 70	Seamless Combination strips	N 90 & N 70 45cm Compact ovens and 14cm warming drawer (not suitable for coffee machine and C17UR02N0B)	Z11SZ60X0
N 90, 70	Seamless Combination strips	Slide&Hide® N 90 & N 70 Design 60cm Slide&Hide® single ovens and 29cm warming drawer	Z11SZ80X0
N 90, 70	Seamless Combination strips	Metal platform and brackets for Slide&Hide N 90 & N 70 single oven and selected 45cm Compact ovens in column (special single aperture required; not suited to Coffee Machine and C17UR02N0B)	Z11SZ90X0
N 90, 70, 50	Cosmetic decor strip	Use between 60cm single and 45cm compact ovens	Z13CV06S0



Single Ovens with Drop Down Door



Home Connect

COLLECTION	N 70	N 50	N 70	N 50	N 50
BLACK GLASS WITH STEEL TRIM	B27CR22N1B	B2ACH7HH0B	B17CR32N1B	B1ACE4HN0B	
WHITE GLASS WITH STEEL TRIM					B1ACE4HW0B
OPERATION					
Full Touch with Large colour TFT Clear Text display					
Shift Control with TFT Clear Text display	Small		Small		
Neff Design Retractable controls		•		•	•
CONTROLS					
Electronic control	•	•	•		
Temperature proposal with display	•/•	•/•	•/•		
Heating up indicator/ Residual heat indicator	•/•	•/•	•/•	•/	•/
Control panel lock/ Safety switch off	•/•	•/•	•/•	•/	•/
Automatic programmes					
SPECIAL FEATURES					
Door type	Drop Down Door	Drop Down Door	Drop Down Door	Drop Down Door	Drop Down Door
Soft open door					
Home Connect					
Telescopic Rail		1 x Clip rail		1 x Clip rail	1 x Clip rail
Multi Point Temperature Probe					
Single Point Meat Probe					
Rapid heat up	•		•		
Baking and roasting assistant					
FEATURES					
Electronic clock / timer	White TFT Display	White LCD Display	White TFT Display	White LCD Display	White LCD Display
Full glass inner door	•	•	•	•	•
Glazed door (Quadruple/Triple/Double)	Quadruple	Quadruple	Triple	Double	Double
Internal lighting	1 x 35W Halogen	1 x 25W Halogen	1 x 35W Halogen	1 x 25W Halogen	1 x 25W Halogen
Water tank empty indicator					
COOKING FUNCTIONS					
CircoTherm®	4D	3D	4D	3D	3D
CircoTherm® Gentle / Top/bottom heat	•/•	•/	•/•	•/	•/
Gentle					
Top/bottom heat / Bottom heat	•/•	•/•	•/•	•/	•/
Circo Roasting	•	•	•	•	•
Full surface grill/ Centre Surface Grill	•/•	•/	•/•	•/	•/
Bread baking	•	•	•	•	•
Low temperature cooking	•	•	•	•	•
Pizza setting/ CircoTherm® Intensive	•	•	•	•	•
Defrost					
Dough Proving	•		•		
Plate warming/ Keep Warm					
COOKING FUNCTIONS WITH STEAM					
Vario Steam®					
Added Steam					
Dough Proving					
Reheat					
OVEN CLEANING					
Pyrolytic cleaning	•	•			
Easy Clean® / Base Clean	•/	•/			
Eco Clean Surface			•/•	•/	•/
Cleaning setting	•	•	•	•	•
Descaling programme					
STANDARD ACCESSORIES					
Wire shelf	2	2	2	2	2
Universal pan	1	1	1	1	1
ENERGY EFFICIENCY¹					
Energy efficiency index	81.2	95.3	81.2	95.3	95.3
Energy efficiency class	A+	A	A+	A	A
Energy consumption per cycle CircoTherm kWh	0.69	0.81	0.69	0.81	0.81
Energy consumption per cycle conventional kWh	0.87	0.99	0.87	0.97	0.97
Oven capacity	L	71	71	71	71
Time to cook standard load	mins	44	50	44	44
Largest baking sheet area	cm ²	1290	1290	1290	1290

Compact 45cm Steam Ovens



Home Connect Home Connect

COLLECTION	N 90t	N 90	N 50
TYPE	COMPACT STEAM OVEN	COMPACT STEAM OVEN	COMPACT MICROWAVE & STEAM COMBINATION OVEN
BLACK GLASS WITH STEEL TRIM	C18FT56H0B	C17FS32H0B	C1APG64N0B
OPERATION			
Full Touch with Large colour TFT Clear Text display	•		
Shift Control, Medium colour TFT Clear Text display		•	
NEFF Design Retractable controls, LCD display			•
CONTROLS			
Electronic control	•	•	•
Temperature proposal with Display	•/•	•/•	•/•
Heating up indicator/ Safety switch off	•/•	•/•	•/•
Automatic programmes	30	30	30
SPECIAL FEATURES			
Home Connect	•	•	
Door Type	Drop Down Door	Drop Down Door	Drop Down Door
Soft close / open door	•/•	•/•	
MultiPoint Temperature Probe	•		
Baking and roasting assistant	•	•	
FEATURES			
Display Type	White Clear Text	White Clear Text	White LCD display
Full glass inner door	•	•	
Glazed door (Quadruple/Triple/Double)	Triple	Triple	Triple
Internal lighting	1 x LED	1 x LED	1 x 2W LED
Water tank empty indicator	•	•	
COOKING FUNCTIONS			
Hot Air	•	•	•
Hot Air Gentle	•	•	
Top/bottom heat	•	•	
Conventional heat Eco	•	•	
Fan & Grill	•	•	•
Full surface grill/ Centre surface grill	•/•	•/•	Quartz /
Bread baking	•	•	
Bottom heat	•	•	
Low temperature cooking	•	•	
Pizza setting/ CircoTherm® Intensive	•	•	
Defrost	Using steam	Using steam	
Dough Proving	Using steam	Using steam	
Plate warming/ Keep warm	•/•	/•	
Microwave			•
Microwave combinable			•
VarioSteam® combinable with one of 5 functions	•	•	
100% Steam	•	•	•
VarioSteam®	•	•	
Added Steam			•
Sous Vide cooking	•		
Reheating	•	•	
OVEN CLEANING			
Easy Clean®/ Base Clean	•/•	•/•	
EcoClean Surfaces	roof / back / sides	roof / back / sides	back
Cleaning setting	•	•	•
Descaling programme	•	•	•
STANDARD ACCESSORIES			
Wire shelf	1	1	1
Universal pan	1	1	Glass tray
Insert grid			1
Perforated steam container (size S/M/L/XL)	1 x S; 1 x XL	1 x S; 1 x XL	1 Tray
Unperforated steam container (size S/M/L/XL)	1 x S	1 x S	
Ceramic Glass Base			
ENERGY EFFICIENCY¹			
Energy efficiency index	81.3	81.3	
Energy efficiency class	A+	A+	
Energy consumption per cycle CircoTherm (kWh)	0.61	0.61	
Energy consumption per cycle conventional (kWh)	0.73	0.73	
Oven capacity (L)	47	47	36
Time to cook standard load (mins)	41	41	
Largest baking sheet area (cm ²)	1290	1290	

Coffee Machine



Home Connect

COLLECTION	N 90s
BLACK GLASS WITH STEEL TRIM	C17KS61H0
Design compatible with N 70 / N 90 models	
CONTROLS	
Shift Control, Medium colour TFT display	•
KEY FEATURES	
Home Connect	•
Electronic control	•
SensoFlow System	•
Aroma pressure system	•
Auto Valve System	•
AromaDoubleShot	•
Automatic steam blast milk cleaning function	•
Ceramic coffee grinders	•
Multilevel grinding setting	•
Cup illumination	•
Height adjustable milk & coffee outlets mm	7-15
Adjustable automatic switch off setting	•
Integrated water filter	•
PROGRAMMES / FUNCTIONS	
Personalised beverage settings	1 or 2 cup
Milk foam	1 or 2 cup
Hot water	1 or 2 cup
Warm milk	1 or 2 cup
Ristretto	1 or 2 cup
Coffee	1 or 2 cup
Espresso	1 or 2 cup
Cappuccino	1 or 2 cup
Latte Macchiato	1 or 2 cup
Caffe latte	1 or 2 cup
Espresso Macchiato	1 or 2 cup
One touch function for milk drinks	•
Coffee / Hot Water temperature options	3 / 4
Milk foam/frothing function	•/•
Warm milk function	•
Cleaning / descaling programmes	•/•
Automatic rinse when switched on/off	•/•
PERFORMANCE & TECHNICAL INFORMATION	
Installation in a tall housing	950-1450mm high
Left hinged door to access interior	•
Brewing chamber volume g	8-12
Bean container capacity g	500
Ground coffee container	•
Water tank capacity L	2.4
Total connected loading W	1600
Cable length cm	170
ACCESSORIES	
Insulated milk container capacity L	0.5
Milk pipe	•
Coffee scoop	•

¹Measured according to the EN50304, 65/2014. ²For further information on inverter technology, please go to www.neffhome.com/uk/. ³For inverter models, the maximum setting offers a time limited boost option for heating liquids. To ensure optimal results and to protect the appliance, the microwave power output is reduced in stages over the first few minutes down to the next power level (600W). After a cooling period, the microwave boost option will be available once more.

45cm Compact Ovens



Home Connect Home Connect Home Connect

COLLECTION	N 90s	N 90t	N 90s
TYPE	COMPACT OVEN	COMPACT OVEN WITH MICROWAVE	COMPACT OVEN WITH MICROWAVE
BLACK GLASS WITH STEEL TRIM	C27CS22H0B	C28MT27H0B	C27MS22H0B
GRAPHITE-GREY TRIM			
OPERATION			
FullTouch with Large colour TFT display		•	
ShiftControl with medium colour TFT display	•		•
ShiftControl with small TFT display			
NEFF Design Retractable controls			
CONTROLS			
Electronic control	•	•	•
Temperature proposal with Display	•/•	•/•	•/•
Heating up indicator/ Safety switch off	•/•	•/•	•/•
Automatic programmes		14	14
SPECIAL FEATURES			
Home Connect	•	•	•
Door Type	Drop Down Door	Drop Down Door	Drop Down Door
Soft close / open door	•/•	•/•	•/•
Telescopic Rail		Comfort Flex	
MultiPoint Temperature Probe		•	
Baking and roasting assistant	•		
FEATURES			
Display Type	White Clear Text	White Clear Text	White Clear Text
Full glass inner door	•	•	•
Glazed door (Quadruple/Triple/Double)	Quadruple	Quadruple	Quadruple
Internal lighting	1 x Halogen	1 x LED	1 x LED
COOKING FUNCTIONS			
Hot Air	•	•	•
Hot Air Gentle	•	•	•
Top/bottom heat	•	•	•
Conventional heat Eco	•	•	•
Fan & Grill	•	•	•
Full surface grill/ Centre surface grill	•/•	•/•	•/•
Bread baking	•	•	•
Bottom heat	•	•	•
Low temperature cooking	•	•	•
Pizza setting/ CircoTherm® Intensive	•	•	•
Defrost	•	•	•
Dough Proving	•	•	•
Plate warming/ Keep warm		•/•	•/
Microwave		•	•
Microwave combinable		•	•
OVEN CLEANING			
Pyrolytic cleaning	•	•	•
Easy Clean®/ Base Clean	•/	•/	•/
EcoClean Surfaces			
Cleaning setting	•	•	•
STANDARD ACCESSORIES			
Wire shelf	1	1	1
Universal pan	1	1	1
Ceramic Glass Base			
STANDARD ACCESSORIES			
Energy efficiency index	81.3		
Energy efficiency class	A+		
Energy consumption per cycle CircoTherm (kWh)	0.61		
Energy consumption per cycle conventional (kWh)	0.73		
Oven capacity (L)	47	45	45
Time to cook standard load (mins)	46		
Largest baking sheet area (cm²)	1290	1290	1290



Home Connect

N 90s	N 70	N70 touch	N 50	N 50
COMPACT OVEN WITH MICROWAVE	COMPACT OVEN WITH MICROWAVE	COMPACT MICROWAVE	COMPACT MICROWAVE COMBINATION OVEN	COMPACT MICROWAVE COMBINATION OVEN
C17MS32H0B	C17MR02N0B	C17UR02N0B	C1AMG84N0B	C1AMG84G0B
OPERATION				
		Touch control	•	•
	•			
•	•	•	•	•
•/•	•/•	•/•	•/•	•/•
•/•	•/•	/•	/•	/•
14	14	7	15	15
SPECIAL FEATURES				
•	•	•	•	•
Drop Down Door	Drop Down Door	Drop Down Door	Drop Down Door	Drop Down Door
•/•	•/•			
FEATURES				
White Clear Text	White Clear Text	White Clear Text	White LCD display	White LCD display
•	•	•		
Quadruple	Quadruple	Double	Triple	Triple
1 x Halogen	1 x LED	1 x LED	1 x 1W LED	1 x 1W LED
COOKING FUNCTIONS				
•	•		•	•
•	•			
•	•			
•	•			
•	•		•	•
•/•	•/•		•/	•/
•	•			
•	•			
•	•			
•	•		•	•
•	•		•	•
•	•		•	•
•/•	•/•			
•/•	•/•			
•	•			
•/	•/			
•	•		•	•
•	•		•	•
STANDARD ACCESSORIES				
1	1		1	1
1	1	Glass tray	•	•
STANDARD ACCESSORIES				
45	45	36	44	44
1290	1290			

¹ Measured according to the EN50304, 65/2014. ² For further information on inverter technology, please go to www.neffhome.com/uk/. ³ For Inverter models, the maximum setting offers a time limited boost option for heating liquids. To ensure optimal results and to protect the appliance, the microwave power output is reduced in stages over the first few minutes down to the next power level (600W). After a cooling period, the microwave boost option will be available once more.

Microwaves



COLLECTION	N 70	N 70	N 70	N 70
TYPE	BUILT-IN MICROWAVE WITH GRILL	BUILT-IN MICROWAVE WITH GRILL	BUILT-IN MICROWAVE	BUILT-IN MICROWAVE
COLOUR				
Model Number Black glass with steel trim	C17GR00N0B	C17GR01N0B	C17WR00N0B	C17WR01N0B
Model Number White glass with steel trim				
Model Number Graphite Grey				
OPERATION				
Touch Control with small TFT text display	•	•	•	•
Retractable control with push buttons				
Control panel position	Below, horizontal	Below, horizontal	Below, horizontal	Below, horizontal
FUNCTIONS				
Microwave	•	•	•	•
Quartz Grill	•	•		
Microwave & grill combination	•	•		
FEATURES				
Installation position	Wall unit or Tall housing	Wall unit or Tall housing	Wall unit or Tall housing	Wall unit or Tall housing
Full width frameless design	•	•	•	•
Electronic Clock	White TFT display	White TFT display	White TFT display	White TFT display
ClearText Display	•	•	•	•
Automatic programmes	10	10	7	7
Memory settings				
Maximum cooking time duration (mins)	90	90	90	90
Electronic door opening	•	•	•	•
Push button door opening				
Hinge	Left	Right	Left	Right
Internal light	1 x 2W LED	1 x 2W LED	1 x 2W LED	1 x 2W LED
Stainless steel interior	•	•	•	•
STANDARD ACCESSORIES				
Glass turntable				
Glass pan / Wire Grid	1 / 1	1 / 1		
TECHNICAL INFORMATION				
Appliance Dimensions HxWxD	mm 382 x 594 x 320	382 x 594 x 320	382 x 594 x 320	382 x 594 x 320
Cavity Dimensions HxWxD	mm 220 x 350 x 270	220 x 350 x 270	220 x 350 x 270	220 x 350 x 270
Oven capacity	L 21	21	21	21
Inverter technology ¹	•	•	•	•
Maximum power Microwave ²	W 900	900	900	900
Number of Microwave power levels	5	5	5	5
Microwave distribution	Stirrer	Stirrer	Stirrer	Stirrer
Turntable diameter	mm 315	315	315	315
Total connected load	kW 1.99	1.99	1.22	1.22
Minimum fuse protection	Amps 10	10	10	10
Cable length	cm 150	150	150	150
GB plug	•	•	•	•



N 50	N 50	N 50	N 50	N 50	N 30
BUILT-IN MICROWAVE WITH GRILL	BUILT-IN MICROWAVE	BUILT-IN MICROWAVE	BUILT-IN MICROWAVE	BUILT-IN MICROWAVE	BUILT-IN MICROWAVE
HLAGD53N0B	HLAWD53N0B		HLAWD23N0B		HLAWG25S3B
		HLAWD53W0B			
				HLAWD23G0B	
•	•	•	•	•	•
Right, vertical	Right, vertical	Right, vertical	Right, vertical	Right, vertical	Right, vertical
•	•	•	•	•	•
•	•	•	•	•	•
•	•	•	•	•	•
Tall housing	Tall housing	Tall housing	Wall unit or Tall housing	Wall unit or Tall housing	Wall unit or Tall housing
•	•	•	•	•	•
White LED display	White LED display	White LED display	White LED display	White LED display	White LED display
8	7	7	7	7	7
1	1	1	1	1	1
99	99	99	99	99	99
•	•	•	•	•	•
Left	Left	Left	Left	Left	Left
1 x 3W LED	1 x 3W LED	1 x 3W LED	1 x 3W LED	1 x 3W LED	1 x 3W LED
•	•	•	•	•	•
1	1	1	1	1	1
382 x 594 x 388	382 x 594 x 388	382 x 594 x 388	382 x 594 x 317	382 x 594 x 317	382 x 594 x 317
208 x 328 x 369	208 x 328 x 369	208 x 328 x 369	201 x 308 x 282	201 x 308 x 282	201 x 308 x 282
25	25	25	20	20	20
900	900	900	800	800	800
5	5	5	5	5	5
Turntable	Turntable	Turntable	Turntable	Turntable	Turntable
315	315	315	255	255	255
1.45	1.45	1.45	1.27	1.27	1.27
10	10	10	10	10	10
130	130	130	130	130	130
•	•	•	•	•	•

¹ Measured according to the EN50304, 65/2014. ² For further information on inverter technology, please go to www.neffhome.com/uk/. ³ For inverter models, the maximum setting offers a time limited boost option for heating liquids. To ensure optimal results and to protect the appliance, the microwave power output is reduced in stages over the first few minutes down to the next power level (600W). After a cooling period, the microwave boost option will be available once more.

Double Ovens



Home Connect

Home Connect

COLLECTION	N 50		N 50		N 50		N 50	
BLACK GLASS WITH STEEL TRIM	U2ACM7HH0B				U1ACI5HN0B		U1ACE5HN0B	
WHITE GLASS AND STEEL TRIM								
GRAPHITE-GREY TRIM			U2ACM7HG0B					
DESIGN								
Neff Design Retractable controls	•	•	•	•	•	•	•	•
Electronic clock / timer	White LCD display		White LCD display		White LCD display		White LCD display	
ELECTRONIC CONTROL	Main	2nd	Main	2nd	Main	2nd	Main	2nd
Temperature display	•	•	•	•	via Meat probe		•	•
Heating up indicator	•	•	•	•	•	•	•	•
Residual heat indicator	•	•	•	•	•	•	•	•
Temperature proposal	•	•	•	•	•	•	•	•
SPECIAL FEATURES	Main	2nd	Main	2nd	Main	2nd	Main	2nd
Door type	Drop Down Door	Drop Down Door	Drop Down Door	Drop Down Door	Drop Down Door	Drop Down Door	Drop Down Door	Drop Down Door
Home Connect	•	•	•	•	•	•	•	•
Electronic control	•	•	•	•	•	•	•	•
Telescopic Rails	1 x Clip Rail		1 x Clip Rail		1 x Clip Rail		1 x Clip Rail	
Standard Meat Probe	•	•	•	•	•	•	•	•
FEATURES	Main	2nd	Main	2nd	Main	2nd	Main	2nd
Control panel lock	•	•	•	•	•	•	•	•
Full glass inner door	•	•	•	•	•	•	•	•
Safety switch off	•	•	•	•	•	•	•	•
Internal lighting	1 x 25W halogen 4	1 x 25W halogen 3	1 x 25W halogen 4	1 x 25W halogen 3	1 x 25W halogen 4	1 x 25W halogen 3	1 x 25W halogen 4	1 x 25W halogen 3
Number of shelf positions	4	3	4	3	4	3	4	3
Glazed door (Quadruple/Triple/Double)	Quadruple	Quadruple	Quadruple	Quadruple	Triple	Triple	Double	Triple
COOKING FUNCTIONS	Main	2nd	Main	2nd	Main	2nd	Main	2nd
CircoTherm®	3D	3D	3D	3D	3D	3D	3D	3D
CircoTherm® Gentle	•	•	•	•	•	•	•	•
Top/bottom heat	•	•	•	•	•	•	•	•
CircoRoasting	•	•	•	•	•	•	•	•
Full surface grill	•	•	•	•	•	•	•	•
Centre surface grill	•	•	•	•	•	•	•	•
Bread baking	•	•	•	•	•	•	•	•
Bottom heat	•	•	•	•	•	•	•	•
Pizza Setting / CircoTherm Intensive	•	•	•	•	•	•	•	•
Rapid heat	•	•	•	•	•	•	•	•
OVEN CLEANING	Main	2nd	Main	2nd	Main	2nd	Main	2nd
Pyrolytic Cleaning	•	•	•	•	•	•	•	•
Easy Clean®	•	•	•	•	•	•	•	•
EcoClean liners (Roof/Back/Sides)					roof/back/sides	roof/back/sides	roof/back/sides	roof/back/sides
Base clean	•	•	•	•	•	•	•	•
Cleaning setting	•	•	•	•	•	•	•	•
STANDARD ACCESSORIES	Main	2nd	Main	2nd	Main	2nd	Main	2nd
Wire shelves	3		3		3		3	
Universal pan	1		1		1		1	
ENERGY EFFICIENCY¹	Main	2nd	Main	2nd	Main	2nd	Main	2nd
Energy efficiency index	95.3	120.3	95.3	120.3	95.3	120.3	95.3	120.3
Energy efficiency class	A	B	A	B	A	B	A	B
Energy consumption per cycle CircoTherm (kWh)	0.75	0.83	0.75	0.83	0.78	0.83	0.78	-
Energy consumption per cycle conventional (kWh)	1.00	0.83	1.00	0.83	0.93	0.83	0.93	0.83
Oven capacity (L)	71	34	71	34	71	34	71	34
Time to cook standard load (mins)	44	44	44	44	44	44	44	44
Largest baking sheet area (cm ²)	1290		1290		1290		1290	

Built-Under Double Ovens



COLLECTION	N 50		N 50		N 50		N 50		N 50	
BLACK GLASS WITH STEEL TRIM	U1ACE2HN0B				U1ACE2HW0B		J1ACE4HN0B		J1ACE2HN0B	
WHITE GLASS AND STEEL TRIM										
GRAPHITE-GREY TRIM			U1ACE2HG0B							
DESIGN										
Neff Design Retractable controls	•	•	•	•	•	•	•	•	•	•
Electronic clock / timer	White LCD display		White LCD display		White LCD display		White LCD display		White LCD display	
ELECTRONIC CONTROL	Main	2nd	Main	2nd	Main	2nd	Main	2nd	Main	2nd
Temperature display	•	•	•	•	via Meat probe		•	•	•	•
Heating up indicator	•	•	•	•	•	•	•	•	•	•
Residual heat indicator	•	•	•	•	•	•	•	•	•	•
Temperature proposal	•	•	•	•	•	•	•	•	•	•
SPECIAL FEATURES	Main	2nd	Main	2nd	Main	2nd	Main	2nd	Main	2nd
Door type	Drop Down Door	Drop Down Door	Drop Down Door	Drop Down Door	Drop Down Door	Drop Down Door	Drop Down Door	Drop Down Door	Drop Down Door	Drop Down Door
Home Connect	•	•	•	•	•	•	•	•	•	•
Electronic control	•	•	•	•	•	•	•	•	•	•
Telescopic Rails	1 x Clip Rail		1 x Clip Rail		1 x Clip Rail		1 x Clip Rail		1 x Clip Rail	
Standard Meat Probe	•	•	•	•	•	•	•	•	•	•
FEATURES	Main	2nd	Main	2nd	Main	2nd	Main	2nd	Main	2nd
Control panel lock	•	•	•	•	•	•	•	•	•	•
Full glass inner door	•	•	•	•	•	•	•	•	•	•
Safety switch off	•	•	•	•	•	•	•	•	•	•
Internal lighting	1 x 25W halogen 4	1 x 25W halogen 3	1 x 25W halogen 4	1 x 25W halogen 3	1 x 25W halogen 4	1 x 25W halogen 3	1 x 25W halogen 4	1 x 25W halogen 3	1 x 25W halogen 4	1 x 25W halogen 3
Number of shelf positions	4	3	4	3	4	3	4	3	4	3
Glazed door (Quadruple/Triple/Double)	Double	Double	Double	Double	Double	Double	Double	Triple	Double	Triple
COOKING FUNCTIONS	Main	2nd	Main	2nd	Main	2nd	Main	2nd	Main	2nd
CircoTherm®	3D	3D	3D	3D	3D	3D	3D	3D	3D	3D
CircoTherm® Gentle	•	•	•	•	•	•	•	•	•	•
Top/bottom heat	•	•	•	•	•	•	•	•	•	•
CircoRoasting	•	•	•	•	•	•	•	•	•	•
Full surface grill	•	•	•	•	•	•	•	•	•	•
Centre surface grill	•	•	•	•	•	•	•	•	•	•
Bread baking	•	•	•	•	•	•	•	•	•	•
Bottom heat	•	•	•	•	•	•	•	•	•	•
Pizza Setting / CircoTherm Intensive	•	•	•	•	•	•	•	•	•	•
Rapid heat	•	•	•	•	•	•	•	•	•	•
OVEN CLEANING	Main	2nd	Main	2nd	Main	2nd	Main	2nd	Main	2nd
Pyrolytic Cleaning	•	•	•	•	•	•	•	•	•	•
Easy Clean®	•	•	•	•	•	•	•	•	•	•
EcoClean liners (Roof/Back/Sides)					roof/back/sides	roof/back/sides	roof/back/sides	back	roof/back/sides	roof/back/sides
Base clean	•	•	•	•	•	•	•	•	•	•
Cleaning setting	•	•	•	•	•	•	•	•	•	•
STANDARD ACCESSORIES	Main	2nd	Main	2nd	Main	2nd	Main	2nd	Main	2nd
Wire shelves	3		3		3		2		2	
Universal pan	1		1		1		1		1	
ENERGY EFFICIENCY¹	Main	2nd	Main	2nd	Main	2nd	Main	2nd	Main	2nd
Energy efficiency index	95.3	120.3	95.3	120.3	95.3	120.3	95.3	120.3	94.7	120.3
Energy efficiency class	A	B	A	B	A	B	A	B	A	B
Energy consumption per cycle CircoTherm (kWh)	0.75	0.83	0.75	0.83	0.75	0.83	0.75	0.83	0.64	0.64
Energy consumption per cycle conventional (kWh)	1.00	0.83	1.00	0.83	1.00	0.83	1.00	0.83	0.84	0.83
Oven capacity (L)	71	34	71	34	71	34	71	34	47	34
Time to cook standard load (mins)	44	44	44	44	44	44	44	44	45	45
Largest baking sheet area (cm ²)	1290		1290		1290		1290		1290	

¹ Measured according to the EN50304, 65/2014. ² For further information on inverter technology, please go to www.neffhome.com/uk. ³ For inverter models, the maximum setting offers a time limited boost option for heating liquids. To ensure optimal results and to protect the appliance, the microwave power output is reduced in stages over the first few minutes down to the next power level (600W). After a cooling period, the microwave boost option will be available once more.

Slide&Hide® Pyrolytic Ovens With Vario Steam

B58VT68H0B, B57VS24H0B, B57VR22N0B (models with VarioSteam®)

Hob type	min. worktop thickness	
	fitted	flush
Induction hob	37 mm	38 mm
Full surface Induction hob	47 mm	48 mm
Gas hob	30 mm	38 mm
Electric hob	27 mm	30 mm

If the appliance will be installed underneath a hob, the following worktop thicknesses (including substructure if necessary) must be taken into account.

Slide&Hide® Pyrolytic Ovens With Added Cleaning

B58CT68H0B, B57CR22N0B

B6ACH7HH0B, B6ACH7HG0B, B3AVH4HG0B, B3AVH4HH0B

Slide&Hide® Single Ovens With Full Steam

B48FT78H0B, B47FS34H0B

Hob type	min. worktop thickness	
	fitted	flush
Induction hob	37 mm	38 mm
Full surface Induction hob	47 mm	48 mm
Gas hob	30 mm	38 mm
Electric hob	27 mm	30 mm

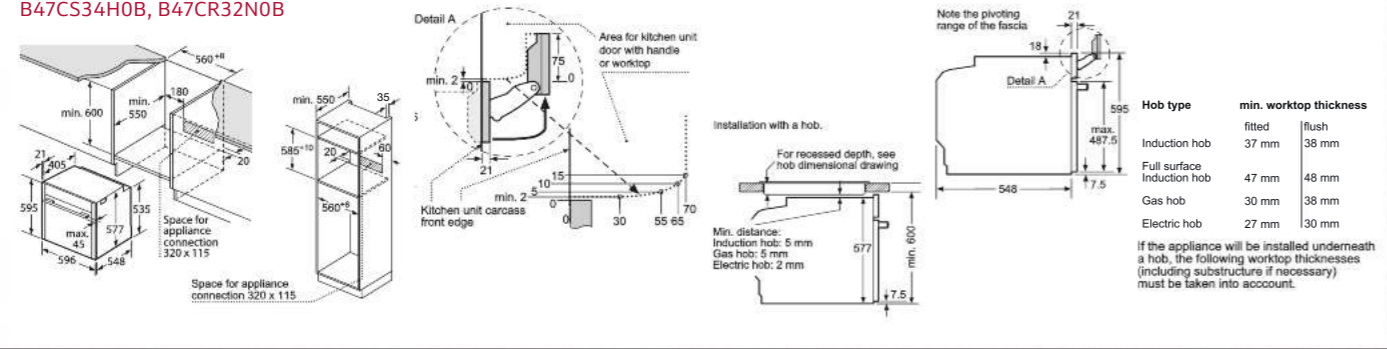
If the appliance will be installed underneath a hob, the following worktop thicknesses (including substructure if necessary) must be taken into account.

Slide&Hide® Single Ovens With Vario Steam®

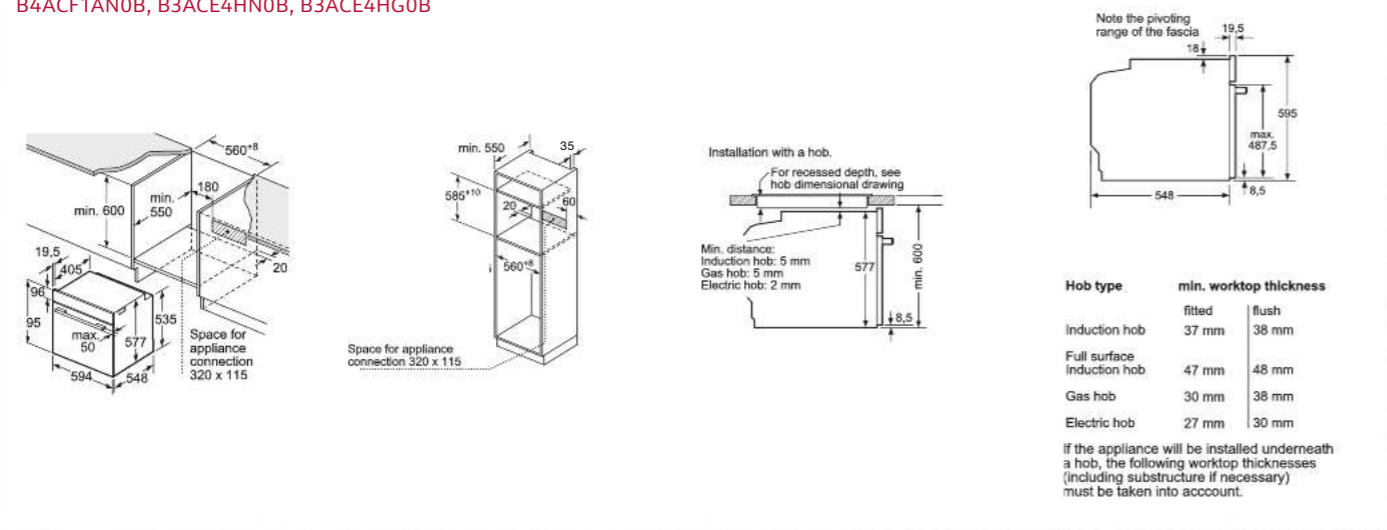
B47VS34H0B, B47VR32N0B (models with VarioSteam®)

Slide&Hide® Single Ovens

B47CS34H0B, B47CR32N0B

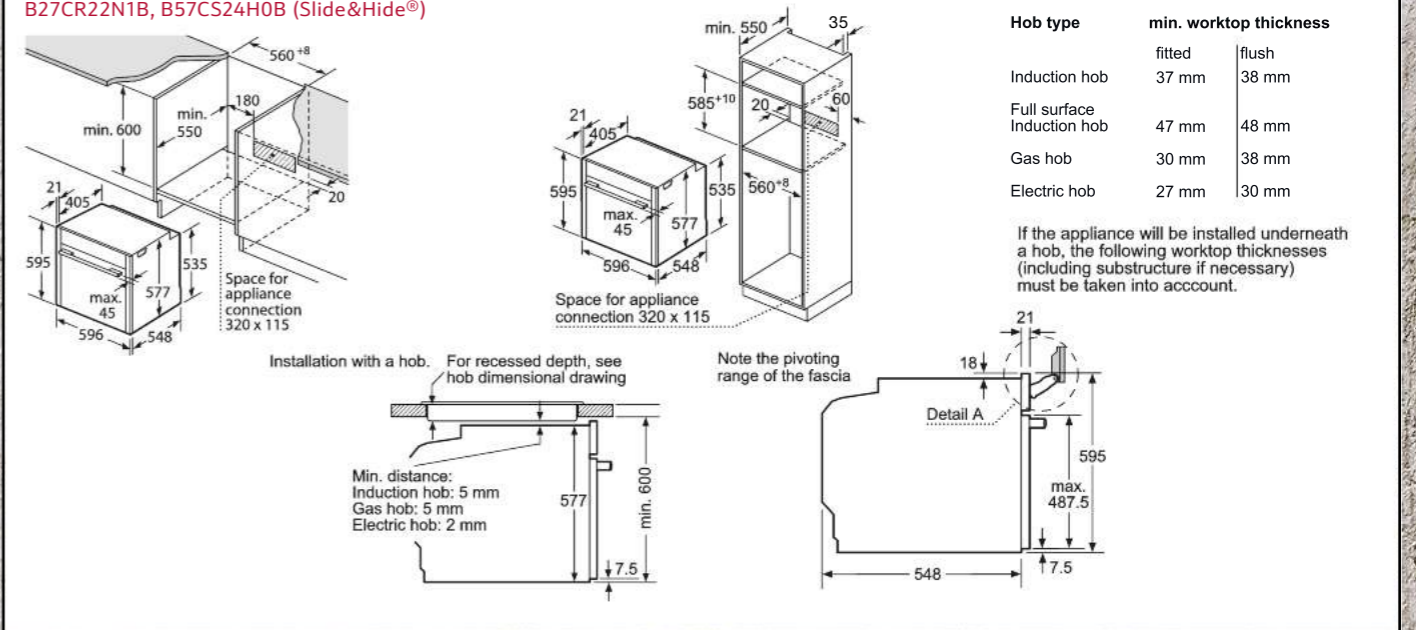


B4ACF1AN0B, B3ACE4HN0B, B3ACE4HG0B

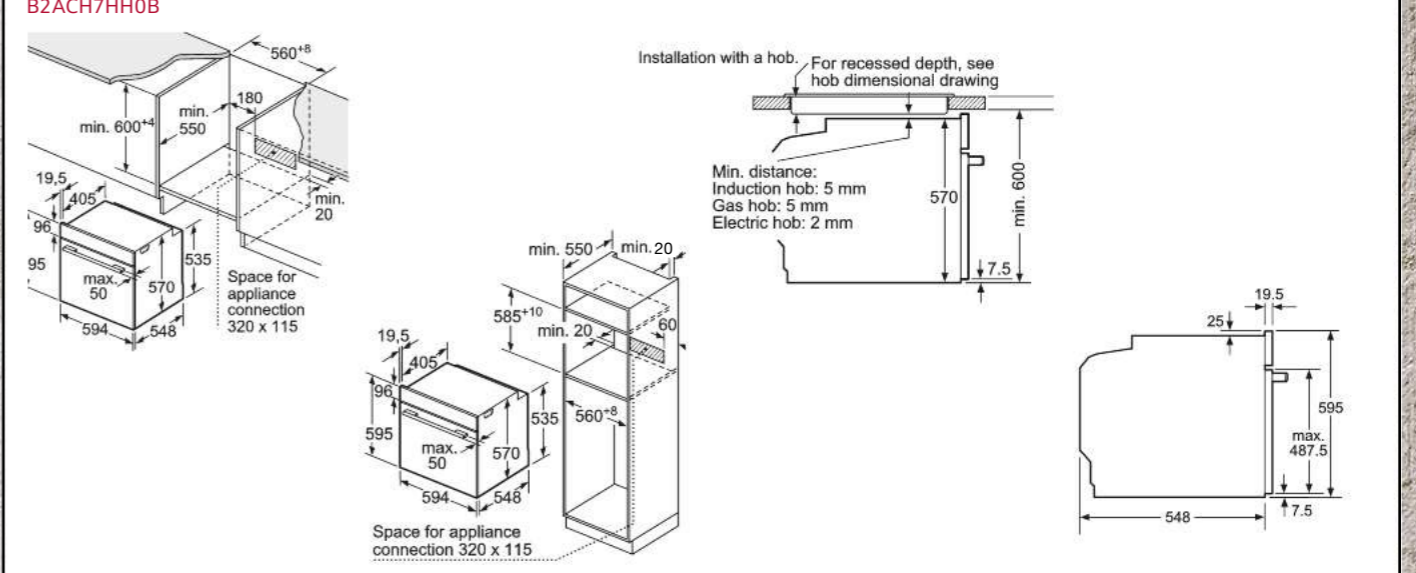


Pyrolytic Ovens

B27CR22N1B, B57CS24H0B (Slide&Hide®)



B2ACH7HH0B



Single Ovens

B17CR32N1B

Detail A
Area for kitchen unit door with handle or worktop
min. 20
75
min. 2
21
15
min. 5
0
30
55
65
Kitchen unit carcass front edge

Hob type

Hob type	min. worktop thickness	
	fitted	flush
Induction hob	37 mm	38 mm
Full surface Induction hob	47 mm	48 mm
Gas hob	30 mm	38 mm
Electric hob	27 mm	30 mm

If the appliance will be installed underneath a hob, the following worktop thicknesses (including substructure if necessary) must be taken into account.

Installation with a hob. For recessed depth, see hob dimensional drawing
Min. distance:
Induction hob: 5 mm
Gas hob: 5 mm
Electric hob: 2 mm

Note the pivoting range of the fascia

Space for appliance connection 320 x 115

Compact Ovens With Full Steam

C18FT56H0B, C17FS32H0B

Detail A
Area for kitchen unit door with handle or worktop
min. 20
75
min. 2
21
15
min. 5
0
30
55
65
Kitchen unit carcass front edge

Hob type

Hob type	min. worktop thickness	
	fitted	flush
Induction hob	42 mm	43 mm
Full surface Induction hob	52 mm	53 mm
Gas hob	32 mm	43 mm
Electric hob	32 mm	35 mm

If the compact appliance will be installed underneath a hob, the following worktop thicknesses (including substructure if necessary) must be taken into account.

Installation with a hob. For recessed depth, see hob dimensional drawing
Min. distance:
Induction hob: 5 mm
Gas hob: 5 mm
Electric hob: 2 mm

Note the pivoting range of the fascia.

Space for appliance connection 320 x 115

B1ACE4HN0B, B1ACE4HW0B

Detail A
Area for kitchen unit door with handle or worktop
min. 20
75
min. 2
21
15
min. 5
0
30
55
65
Kitchen unit carcass front edge

Hob type

Hob type	min. worktop thickness	
	fitted	flush
Induction hob	42 mm	43 mm
Full surface Induction hob	52 mm	53 mm
Gas hob	32 mm	43 mm
Electric hob	32 mm	35 mm

If the compact appliance will be installed underneath a hob, the following worktop thicknesses (including substructure if necessary) must be taken into account.

Installation with a hob. For recessed depth, see hob dimensional drawing
Min. distance:
Induction hob: 5 mm
Gas hob: 5 mm
Electric hob: 2 mm

Note the pivoting range of the fascia.

Space for appliance connection 320 x 115

Compact Ovens

C27CS22H0B

Detail A
Area for kitchen unit door with handle or worktop
min. 20
75
min. 2
21
15
min. 5
0
30
55
65
Kitchen unit carcass front edge

Hob type

Hob type	min. worktop thickness	
	fitted	flush
Induction hob	42 mm	43 mm
Full surface Induction hob	52 mm	53 mm
Gas hob	32 mm	43 mm
Electric hob	32 mm	35 mm

If the compact appliance will be installed underneath a hob, the following worktop thicknesses (including substructure if necessary) must be taken into account.

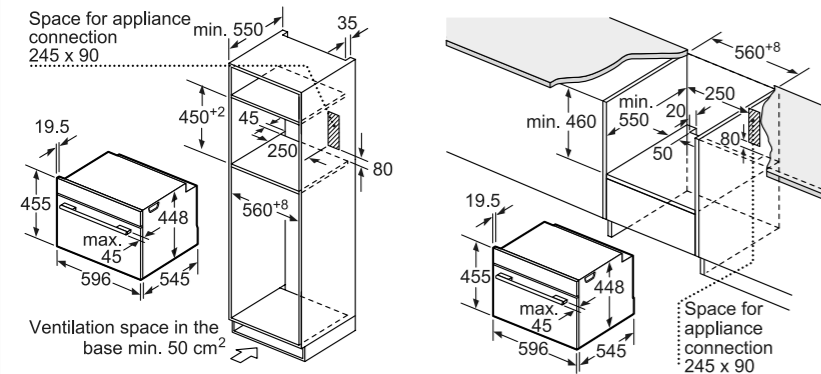
Installation with a hob. For recessed depth, see hob dimensional drawing
Min. distance:
Induction hob: 5 mm
Gas hob: 5 mm
Electric hob: 2 mm

Note the pivoting range of the fascia.

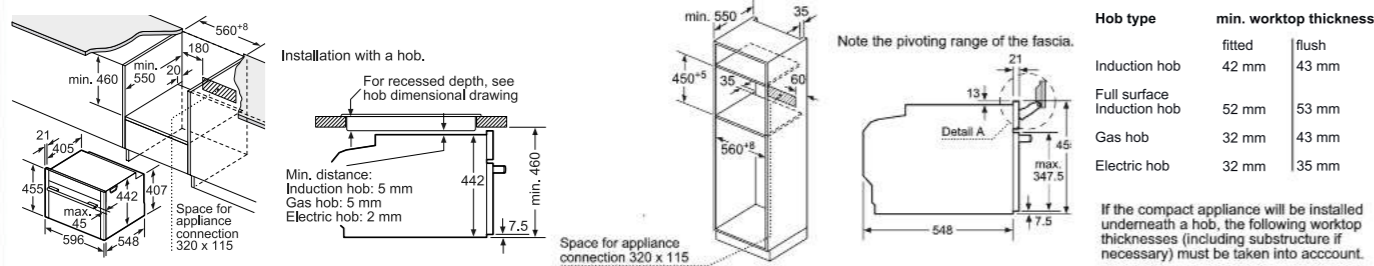
Space for appliance connection 320 x 115

Compact Ovens With Microwave & Microwave Combination Ovens

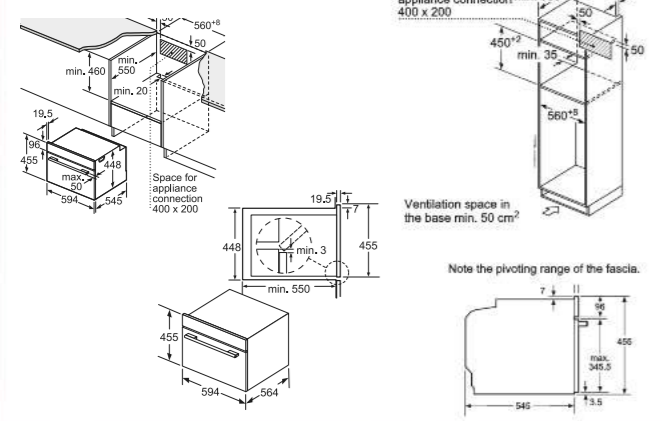
C17UR02N0B



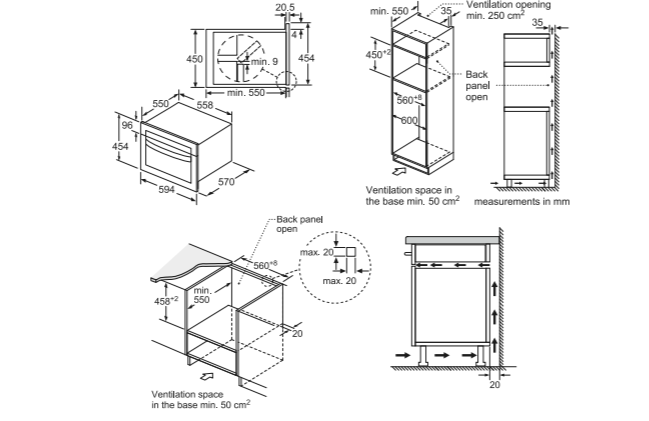
C28MT27H0B, C27MS22H0B, C17MS32H0B, C17MR02N0B



C1APG64N0B

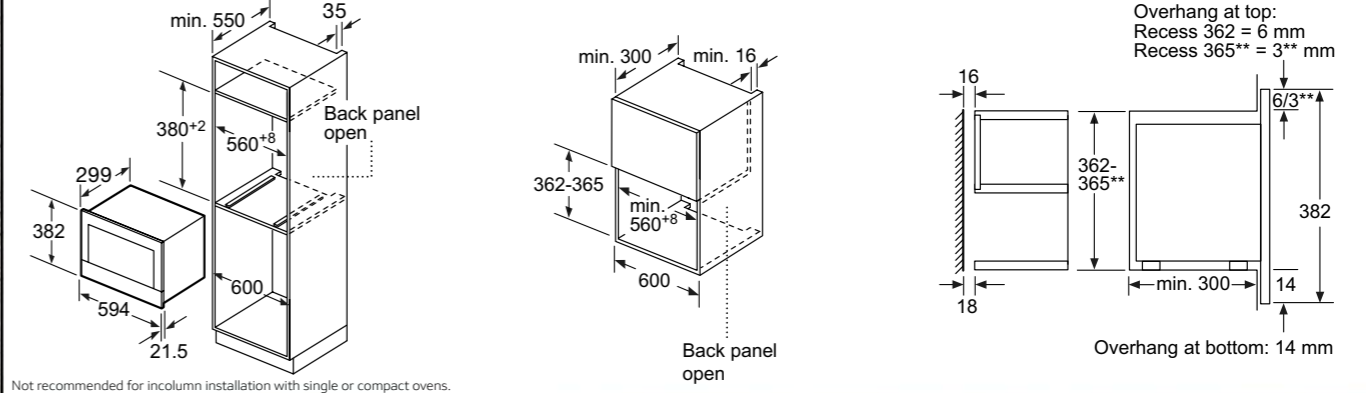


C1AMG84N0B, C1AMG84G0B

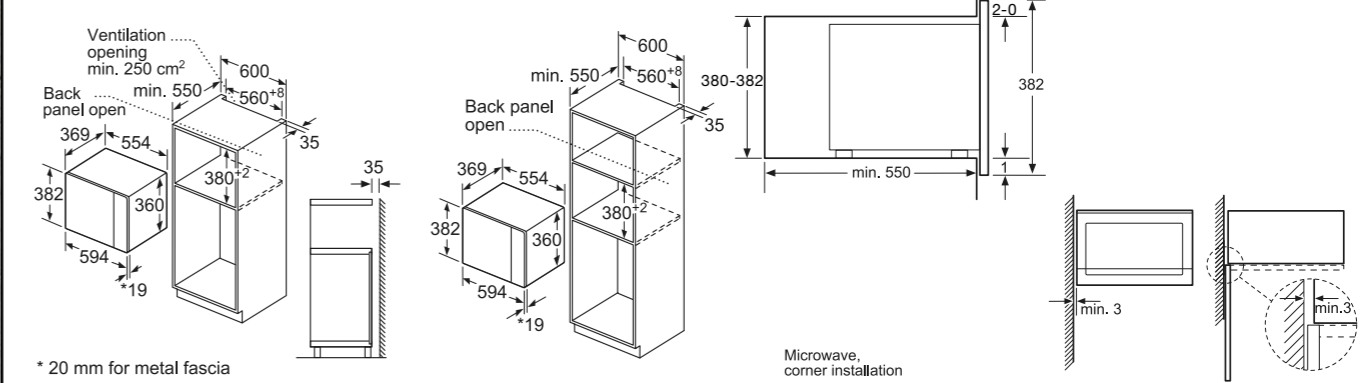


Microwave Ovens

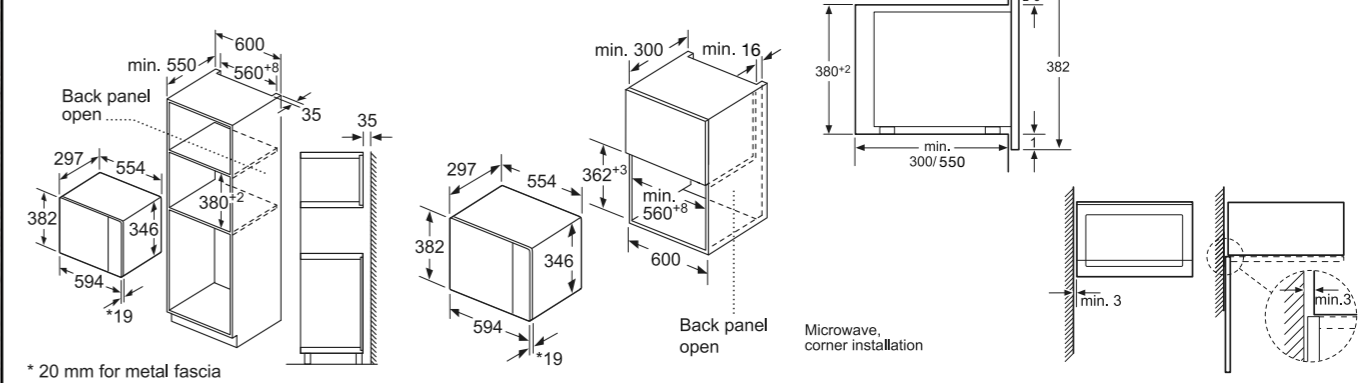
C17GR00N0B, C17GR01N0B, C17WR00N0B, C17WR01N0B



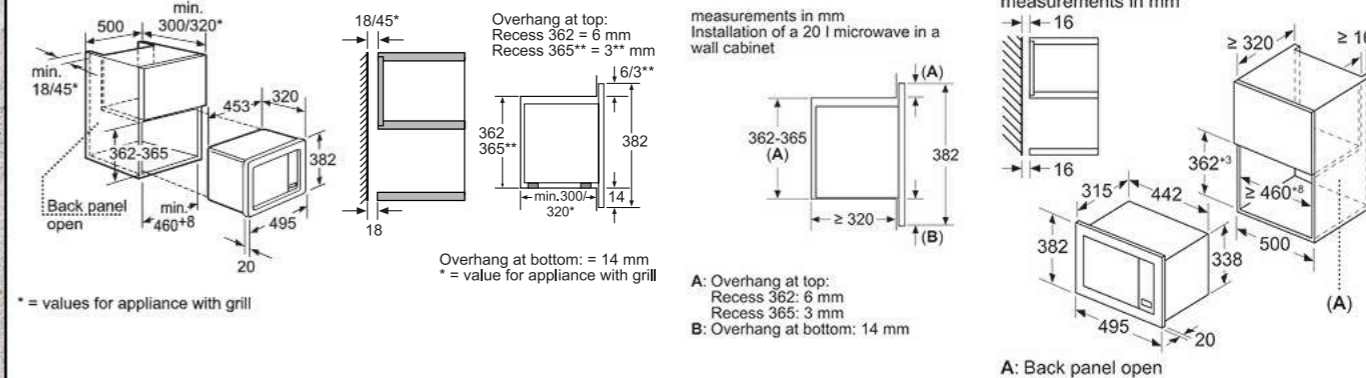
HLAGD53N0B, HLAWD53N0B, HLAWD53W0B



HLAWD23N0B, HLAWD23G0B



HLAWG25S3B



Warming Drawers

N17HH20N0B

Ovens with an appliance height of 595 mm can be installed above a warming drawer. An intermediate floor is not required.

N17HH10N0B, N17HH11N0B, N17ZH10N0

Compact ovens with an appliance height of 455 mm can be installed above a warming drawer. An intermediate floor is not required.

N17XH10N0

Compact ovens with an appliance height of 455 mm can be installed above a warming drawer. An intermediate floor is not required.

N1AHA02N0B

Ovens with an appliance height of 595 mm can be installed above a warming drawer. An intermediate floor is not required.

N1AHA01N0B, N1AHA01G0B

Compact ovens with an appliance height of 455 mm can be installed above a warming drawer. An intermediate floor is not required.

Double Ovens

U2ACM7HH0B, U2ACM7HG0B, U1ACI5HN0B, U1ACE5HN0B, U1ACE2HN0B, U1ACE2HG0B, U1ACE2HW0B

Space for appliance connection 320 x 115

J1ACE4HN0B, J1ACE2HN0B

Space for appliance connection 320 x 115

If the appliance will be installed underneath a hob, the following worktop thicknesses (including substructure if necessary) must be taken into account.

Hob type	min. worktop thickness	
	fitted	flush
Induction hob	39 mm	40 mm
Full surface induction hob	49 mm	50 mm
Gas hob	29 mm	36 mm
Electric hob	29 mm	32 mm

Measurements in mm
Installation with a cooktop

A: Recessed depth 29-50 mm. See cooktop dimensional drawing.
B: Clearance min.: Induction cooktop: 5 mm
Gas cooktop: 5 mm
Electric cooktop: 2 mm

Coffee Machine

C17KS61H0

left corner installation

If using the 92° hinge limiter (spare part no. 00636455), the minimum distance to the wall is only 100 mm.

measurements in mm

Bean and water containers are removed from the front. Recommended installation height 95-145cm.

Your Guide To Hobs

Rethink cooking in NEFF's infinite kitchen

A great meal is all about the ingredients and cooking process. And it's the same when it comes to choosing the right hob. If you want flexibility, an electric FlexInduction hob might be what you're after. Or pick one of our innovative gas or fast induction hobs. Can't decide which one? Then the Domino range might be the best hob for you, as it mixes all of the above. There's a NEFF hob for anyone to get creative with.



Venting Hobs

The 2-in-1 Hob and Hood is here. With freedom from a conventional wall or island hood, our integrated cooktop ventilation allows you to reclaim your space in the kitchen. The Neff Venting Hob is set to create the stylish and sociable kitchen you've always dreamt of.

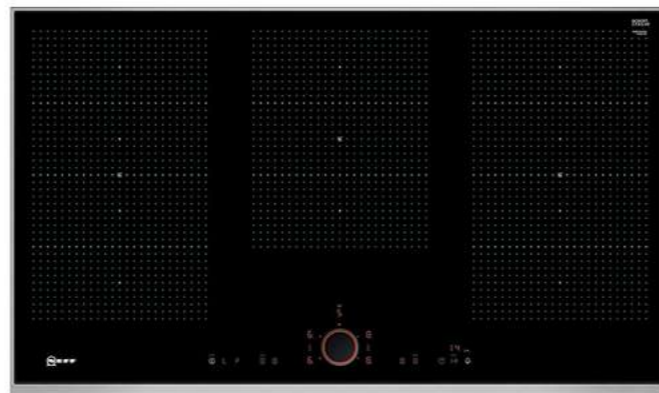
Our Venting Hobs offer maximum flexibility in installation options - Unducted, Partly Ducted, Fully Ducted & Ducted out.



Featured model:
T58TL6EN2 N90 Venting Hob

Flex Induction Hobs

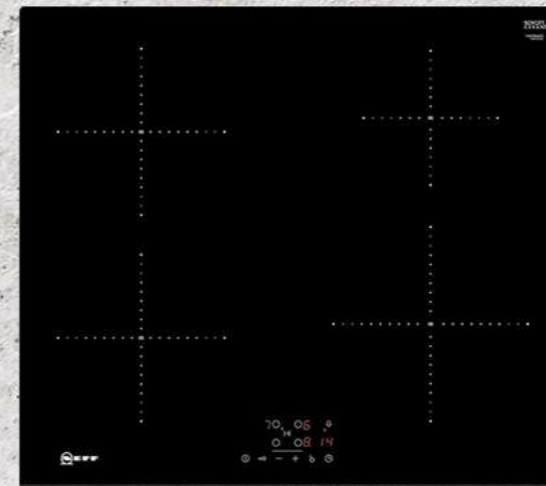
For sociable cooks who often find themselves juggling multiple pans, a FlexInduction hob provides any size pan, anywhere cooking within the zones. When the zones are activated, pans will receive instant, even and rapid heat transference wherever they are placed. Most hobs within the FlexInduction range are controlled by our innovative and stylish TwistPadFire® removable and illuminated magnetic dial.



Featured model:
T59TS61N0 N90 FlexInduction Hob with TwistPad Fire®

Induction Hobs

If sleek, stylish and clean lines are more in keeping with your kitchen design, our Induction hobs provide a minimalistic and premium look whilst providing a quick and responsive cooking surface. Cooking with an Induction Hob saves energy and is incredibly safe - there is little residual heat once the saucepan is removed from the hob.



Featured model:
T36FB40X0 N50 Induction Hob

Ceramic Hobs

With their frameless design, our Ceramic hobs stand out in any kitchen, and a whole range of options with up to 17 power settings makes preparing the next feast as easy as pie. Better still, our enhanced touch control panel provides full flexibility over your cooking.



Featured model:
TL16EB1N1 N50 Ceramic Hob

Domino Hobs

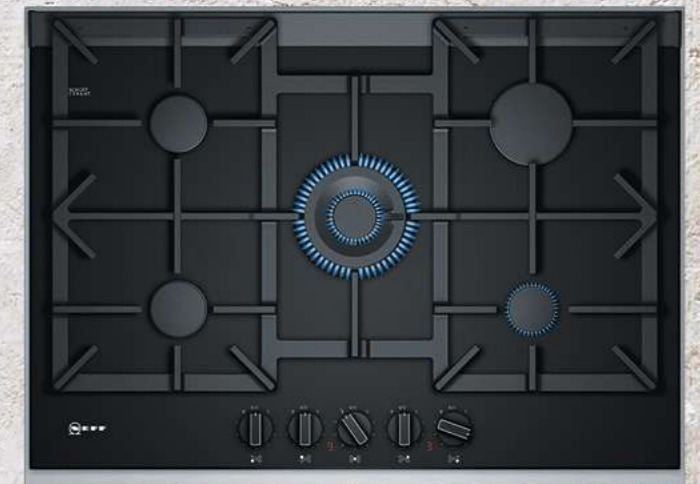
Our domino hobs can be mixed and matched to create a cooking station that's all your own. With gas (30cm), Quick-Light ceramic (30cm), FlexInduction (30cm) and Teppan Yaki (40cm) hobs within the range, our Domino hobs can be linked to provide the ultimate versatile cooking experience.



Featured model:
N53TD40N0, N23TA29N0 Domino Hobs

Gas Hobs

For traditionalists who prefer to see exactly how much heat is delivered to their pans, gas cooking provides a robust and reliable way to prepare your favourite dishes. You can control your hob by numbers and not by eye with our precise and responsive FlameSelect® heat control feature, available across selected gas hobs.



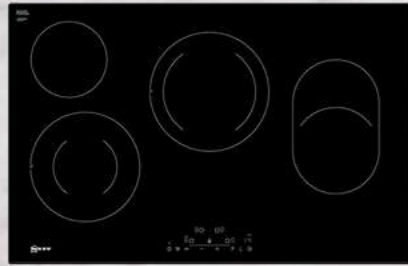
Featured model:
T27TA69N0 N90 Gas Hob

Your Guide To Sizes & Finishes

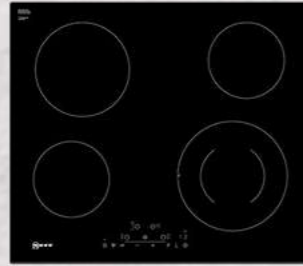
A hob to suit every chef

We strive to maintain a range of hobs with sizes and finishes to suit all requirements. Choose from a number of options including colour trimmed models to match other NEFF appliances, or variations that blend in naturally with the worktop.

Ceramic Sizes



80cm



60cm



30cm

Induction Sizes



90cm



80cm



70cm



60cm



30cm

Gas Sizes



90cm



75cm

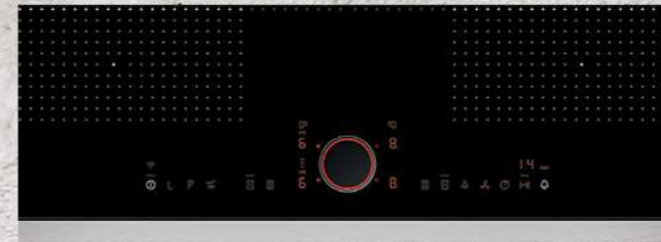


60cm

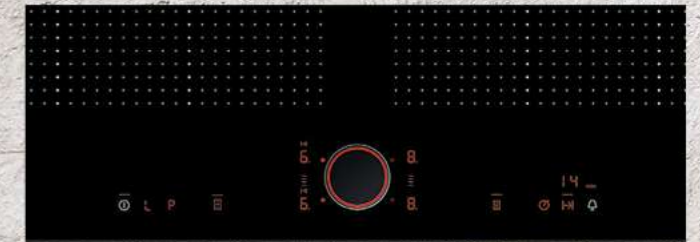


30cm

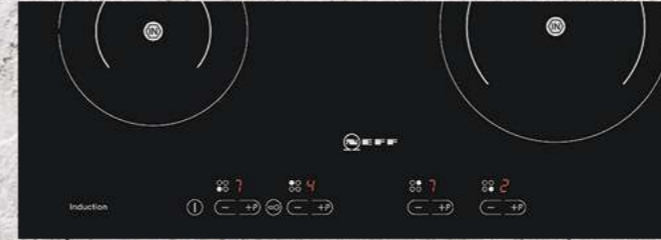
Ceramic & Induction Hobs Finishes



Premium glass on stainless steel trim



Bevelled design trim



Frameless with front bevel



Flushline



Frameless

Gas Hobs Finishes



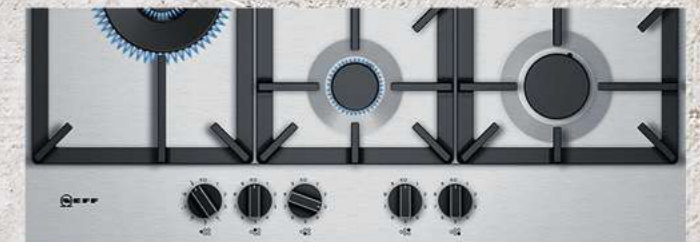
Ceramic glass on stainless steel trim



Black tempered glass



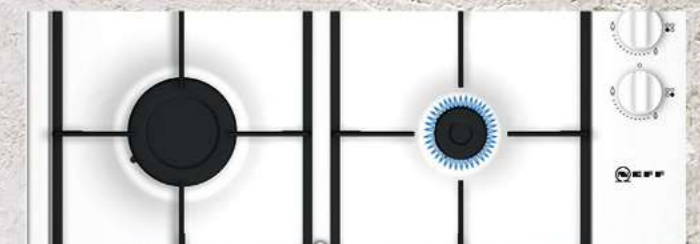
Stainless steel finish with panel insert



Steel



Black finish



White finish

90cm Wide Hobs



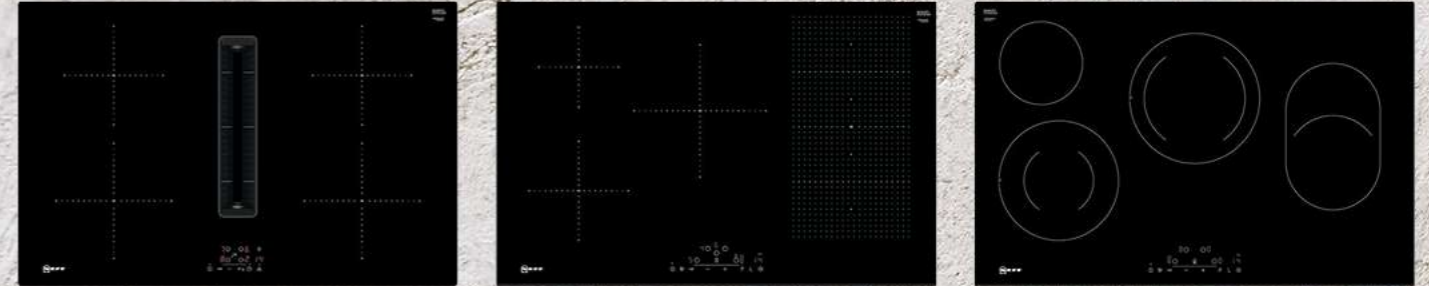
FLEX INDUCTION HOBS

Series	Description	Control Type	Style	Home Connect	Colour	Model Number
N 90	Flex Induction Hob / 3 Flex Zones / Domino Compatible	TFT Touch Control	Premium Glass on Steel	✓	Black/Stainless Steel Top Trim	T59TF6RN0
N 90	Flex Induction Hob / 3 Flex Zones / Domino Compatible	TwistpadFire®	Premium Glass on Steel		Black/Stainless Steel Top Trim	T59TS61N0
N 90	Flex Induction Hob / 2 Flex Zones / Domino Compatible	TwistpadFire®	Premium Glass on Steel	✓	Black/Stainless Steel Top Trim	T59TS5RN0
N 90	Panoramic Flex Induction Hob / 2 Flex Zones	TwistpadFire®	Front Bevel		Black Glass	T50FS41X0
N 70	Flex Induction Hob / 2 Flex Zones	Twistpad®	Front Bevel		Black Glass	T59FT50X0

GAS HOBS

Series	Description	Control Type	Style	Home Connect	Colour	Model Number
N 90	Ceramic Glass Gas Hob / 5 Burner / Wok / Domino Compatible	FlameSelect®	Ceramic Glass		Black/Stainless Steel Top Trim / Cast Iron Support	T29TA79N0
N 70	Stainless Steel Gas Hob / Black Glass Trim / Residual Heat	FlameSelect®	Frameless		Stainless Steel / Cast Iron Supports	T29DA69N0
N 70	Stainless Steel Gas Hob	FlameSelect®	Stainless Steel		Stainless Steel / Cast Iron Supports	T29DS69N0

80cm Wide Hobs



VENTING HOBS

Series	Description	Control Type	Style	Home Connect	Colour	Model Number
N 90	Flex Induction Venting Hob	TwistpadFire®	Premium Glass on Steel	✓	Black/Stainless Steel Top Trim	T58TL6EN2
N 70	Combi Zone Induction Venting Hob	Touch Control	Premium Glass on Steel		Black/Stainless Steel Top Trim	T48TD7BN2
N50	Flex Induction Venting Hob	Touch Control	Frameless		Black Glass	T48CB1AX2

FLEX INDUCTION HOBS

Series	Description	Control Type	Style	Home Connect	Colour	Model Number
N 90	Flex Induction Hob / 2 Flex Zones / Domino Compatible	TFT	Premium Glass on Steel	✓	Black/Stainless Steel Top Trim	T68TF6RN0
N 90	Flex Induction Hob / 2 Flex Zones / Domino Compatible	TwistpadFire®	Premium Glass on Steel	✓	Black/Stainless Steel Top Trim	T68TS6RN0
N 70	Flex Induction Hob / 1 Flex Zone	Twistpad®	Front Bevel		Black Glass	T58FT20X0
N 70	Flex Induction Hob / 1 Flex Zone	Touch Control	Front Bevel		Black Glass	T58FD20X0

COMBIZONE INDUCTION HOBS

N 70	Induction Hob, Combizone	Touch Control	Flushline		Flush Black Glass	T48PD23X2
N 70	Induction Hob, Combizone	Touch Control	Front Bevel		Black Glass	T48FD23X2

CERAMIC HOB

Series	Description	Control Type	Style	Home Connect	Colour	Model Number
N 70	Electric Hob / 4 Zones	Touch Control	Front Bevel		Black Glass	TL18HD9F1

75cm Wide Hobs



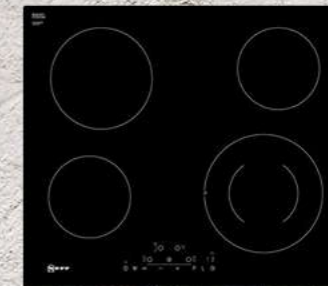
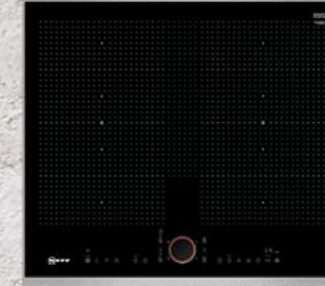
GAS HOBS						
Series	Description	Control Type	Style	Home Connect	Colour	Model Number
N 90	Ceramic Glass Gas Hob / 5 Burner / Wok / Domino Compatible	FlameSelect®	Black Ceramic Glass	✓	Black/Stainless Steel Top Trim Cast Iron Supports	T27TA69N0
N 70	Ceramic Glass Gas Hob / 5 Burner / Wok	FlameSelect® / LED Display	Black Tempered Glass		Black Tempered Glass / Cast Iron Supports	T27CA59S0
N 70	Tempered Glass Gas Hob / 5 Burner / Wok	FlameSelect®	Black Tempered Glass		Black Tempered Glass / Cast Iron Supports	T27CS59S0
N 70	5 Burner Gas Hob / Wok	FlameSelect® / LED Display	Stainless Steel		Stainless Steel / LED/ Cast Iron Supports	T27DA69N0
N 70	5 Burner Gas Hob / Wok Burner 5.0kW	FlameSelect®	Stainless Steel		Stainless Steel / Cast Iron Supports	T27DS79N0
N 70	5 Burner Gas Hob / Wok Burner 4.0kW	FlameSelect®	Stainless Steel		Stainless Steel / Cast Iron Supports	T27DS59N0
N 70	5 Burner Gas Hob / Wok Burner 4.0kW	FlameSelect®	Frameless		Black Glass / Cast Iron Supports	T27DS59S0
N 50	5 Burner Gas Hob / Wok Burner 3.3kW		Stainless Steel		Stainless Steel / Cast Iron Supports	T27BB59N0

70cm Wide Hobs



FLEX INDUCTION HOBS						
Series	Description	Control Type	Style	Home Connect	Colour	Model Number
N 70	Combi Zone Induction Venting Hob / 2 Combi Zones	Touch Control	Premium Glass on Steel		Black/Stainless Steel Top Trim	T47TD7BN2

60cm Wide Hobs



VENTING HOB						
Series	Description	Control Type	Style	Home Connect	Colour	Model Number
N50	Induction Venting Hob / 4 Individual Zones	Touch Control	Frameless		Black Glass	T46CB4AX2

FLEX INDUCTION HOBS						
Series	Description	Control Type	Style	Home Connect	Colour	Model Number
N 90	Flex Induction Hob / 2 Flex Zones / Domino Compatible	TwistpadFire®	Premium Glass on Steel	✓	Black/Stainless Steel Top Trim	T66TS6RN0
N 70	Flex Induction Hob / 2 Flex Zones	Twistpad®	Front Bevel		Black Glass	T56FT60X0
N 70	Flex Induction Hob / 1 Zone	Touch Control	Front Bevel		Black Glass	T56FD50X0

COMBIZONE INDUCTION HOBS						
Series	Description	Control Type	Style	Home Connect	Colour	Model Number
N 70	Combi Zone Induction Hob / 4 Zones	Touch Control	Flushline		Flush Black Glass	T46PD53X2
N 70	Combi Zone Induction Hob / 4 Zones	Touch Control	Front Bevel		Black Glass	T46FD53X2
N 70	Combi Zone Induction Hob / 4 Zones	Touch Control	Front Bevel		Black Glass	T46FD53X2

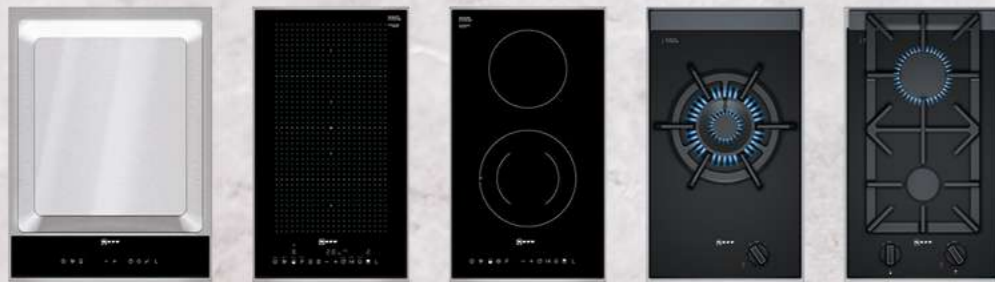
PLUG & PLAY INDUCTION HOBS						
Series	Description	Control Type	Style	Home Connect	Colour	Model Number
N 50	Induction Hob / Plug & Play / 17 Power Levels	Touch Control	Frameless		Black Glass	T36FB41X0G
N30	Induction Hob / Plug & Play / 9 Power Levels	Touch Control	Frameless		Black Glass	T36CA50X1U

CERAMIC HOBS						
Series	Description	Control Type	Style	Home Connect	Colour	Model Number
N 50	Electric Hob / 17 Power Levels	Touch Control	Frameless		Black Glass	TL16EB1N1
N 30	Electric Hob / 9 Power Levels	Side Control Dials	Frameless		Black Glass	TL16EK0N1

60cm Wide Hobs cont...

GAS HOBS						
Series	Description	Control Type	Style	Home Connect	Colour	Model Number
N 90	4 Burner Hob	FlameSelect®	Black Glass on Steel		Black/Stainless Steel Top Trim / Cast Iron Supports	T26TA49N0
N 70	4 Burner Hob	FlameSelect®	Flushline		Black Tempered Glass / Cast Iron Supports	T26CA42S0
N 70	4 Burner Hob	FlameSelect®	Flushline		Black Tempered Glass / Cast Iron Supports	T26CS49S0
N 70	4 Burner Hob / 3.5kW Wok Burner	FlameSelect®			Stainless Steel / Black Inset LED / Cast Iron Supports	T26DA59N0
N 70	4 Burner Hob / 3.5kW Wok Burner	FlameSelect®			Stainless Steel / Cast Iron Supports	T26DS59N0
N 70	4 Burner Hob	FlameSelect®			Stainless Steel / Cast Iron Supports	T26DS49N0
N 70	4 Burner Hob	FlameSelect®	Frameless		Black / Cast Iron Supports	T26DS49S0
N 50	4 Burner Hob / 3.3kW Wok Burner				Stainless steel	T26BB59N0
N 50	4 Burner Hob		Flushline		Black Tempered Glass/ Cast Iron Supports	T26CB49S0
N 30	4 Burner Hob / Side Control	Stainless Steel Gas Hob	Side Controls		Stainless steel	T26BR46N0
N 30	4 Burner Hob / Side Control	Black Gas Hob	Side Controls		Black	T26BR46S0
N 30	4 Burner Hob / Side Control	White Gas Hob	Side Controls		White	T26BR46W0

40cm / 30cm Wide Domino Hobs



DOMINO HOB						
Series	Description	Control Type	Style	Home Connect	Colour	Model Number
N 70	Teppan Yaki Hob	Touch Control	Stainless Steel / Black TFT Control Panel		Black/Stainless Steel Top Trim	N74TD00N0
N 70	Flex Induction Hob	Touch Control	Premium Glass on Steel		Black/Stainless Steel Top Trim	N53TD40N0
N 70	Quick Light Ceramic Hob	Touch Control	Premium Glass on Steel		Black/Stainless Steel Top Trim	TL13FD9T8
N 90	Gas Wok	FlameSelect®	Premium Glass on Steel		Black/Stainless Steel Top Trim	N23TA19N0
N 90	2 Burner Gas Hob	FlameSelect®	Premium Glass on Steel		Black/Stainless Steel Top Trim	N23TA29N0

Key Functions Guide

Ceramic & Induction Features



TOUCH CONTROL

Simply select a zone then swipe your finger across the control panel to select a heat mode.



POWER MOVE

The combi zone offers two heating zones: boiling in front and warming in the rear.



COMBI INDUCTION

2 individual induction cooking zones can be combined to 1 large zone with even heat distribution.



INDUCTION

The heat is generated directly in the cookware for precise cooking that stops when power is off.



TWISTPAD® FIRE

With the removable and illuminated TwistPad® Fire dial you can react to pans bubbling away quickly and easily. Simply point and twist towards your cooking zones to activate and adjust heat.



HOME CONNECT

Control your oven directly from a Smart Device App or Voice Command.



COMBIZONE

Individual yet flexible cooking areas can be used independently or linked together to create an expanded cooking zone that is optimised for flex induction.



POWERBOOST

Optimised power level function for more flexible and even faster heating.



FRYING SENSOR

Optimised power level function for more flexible and even faster heating.

Gas Features



FLAMESELECT®

Cook everything just right with 9-level FlameSelect®. With FlameSelect® the gas flame adapts to your cooking, offering precise control every time. For the first time ever, cooking with gas is as easy as cooking on an electric hob.

FLAME CONTROL

The flame failure safety device shuts down the supply of gas to the hob if the flame goes out for any reason. The automatic reignition uses a heat sensor to detect if the flame goes out and, if so, will automatically attempt to reignite.

POWER LEVEL DISPLAY

Some gas hobs benefit from a host of features that are usually found on ceramic hobs, including an LED display. The residual heat indicator displays if there is any residual heat on the hob. In the event of a problem with the individual burner the indicator lights also act as warning lights.

CAST IRON PAN SUPPORTS

Firmly hold the pan above the flame, leaving space between the base and the burner. They're used on the majority of our models because of their robust and sturdy nature and tolerance to prolonged contact with heat.

HIGH SPEED BURNERS

Provide a surge of extra power; particularly useful for boiling a large pan of water quickly.

EASY GRIP CONTROLS

Ergonomically designed to be gripped and turned easily, even with wet or greasy hands.



WOK BURNER

The secret of Chinese stir fry cooking is heat and speed. Our Domino wok (N23TA29N0) delivers 6.0kW.

SIMMER SETTING

Excellent for slow simmering, almost all of our gas hobs have a very low burner with a maximum of just 1.0kW.

Flex Induction Accessories

Flex Induction Accessories

Spanning the length of your FlexInduction zone, our accessories are designed to inspire you in the kitchen. From everyday cooking to theatrical displays, there's an accessory to bring out the best in your favourite dishes.

Product	Description	Material	Code	Part Number
Griddle Plate	Surface Area 41.5 x 26.5cm Ideal for cooking steaks, fish, flatbreads and sliced vegetables, an induction griddle plate offers considerably more flexibility than a standard square griddle pan. All accessories within our induction range are easy to clean and dishwasher safe.	Cast Iron	Z9416X2	17000339
Teppan Yaki	Surface Area 41.5 x 26.5cm Inspired by Japanese cooking, our Teppan Yaki plates are a stylish way to cook meat, fish and vegetables. Ideal for sociable cooking, Teppan Yaki plates provide even heat transference for delicious, impressive dishes.	Stainless steel	Z9417X2	17000337
Oval Roaster	With our roaster and steam accessory, it's possible to steam on a NEFF induction hob too. Ideal for preparing delicate fish and vegetables, steam cooking is a great way to prepare healthy, nutritious dishes. Oven and dishwasher safe.	Stainless steel	Z9410X1	00573879
Steam Rack for use with Oval Roaster		Stainless steel	Z9415X1	00576118



Saucepans

Saucepans

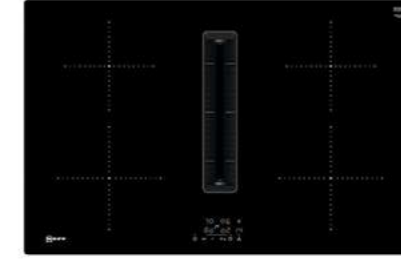
Ferrous metal saucepans are required for use on an induction hob. To check if a saucepan can be used with an induction hob use our quick magnetic test shown below. NEFF saucepans have been tried and tested to ensure that they offer optimum performance with NEFF hobs.



Product	Description	Material	Code	Part Number
3 Piece Pan Set	2 x pots, 1 x Pan	Stainless steel	Z943SE0	17004098
4 Piece Pan Set	1 x Saute pan, 2 x Pots with lids, 1 x milk pan	Stainless steel	Z9404SE0	17005721
6 Piece Pan Set	2 x Saute pan, 3 x Pots with lids, 1 x milk pan	Stainless steel	Z9406SE0	17005724
26 cm Coated Frying Pan		Stainless steel	Z941CF0	17004850
18.5 cm Non Stick Frying Pan		Cast Iron	Z9428FE0	17005718



Venting Hobs



HomeConnect

HOB TYPE	VENTING HOBS	
COLLECTION	N 90	N 70
MODEL NO.	T58TL6EN2	T48TD7BN2
DESIGN		
Width	826mm	826mm
Control position/type	TwistPad®Fire	Touch Control
Style	Premium Glass on Steel	Premium Glass on Steel
KEY FEATURES		
Home Connect	●	●
Integrated extractor	●	●
Automatic extraction	Fully sensor based	Auto-On
Power Move	3 stages	2 stages
Power Transfer automatic setting transfer	●	●
Frying Sensor	5 settings	4 settings
Power Boost	●	●
Flex Induction	●	●
Number of Flex Induction zones	2	2: Left & Right
Combi Zone Induction		2: Left & Right
HOB FEATURES		
Number of individual zones	4	4
Power Levels	17	17
Digital display	●	●
Count up Timer	●	●
Main on/off switch / QuickStart / Restart Function	● / ● / ●	● / ● / ●
Energy Consumption Display	●	●
Pan Recognition	●	●
Demo Mode	●	●
Keep Warm Function	●	●
SAFETY FEATURES		
Residual Heat Indicator / Wipe Protection Function	● / ●	● / ●
Timer with automatic switch off for each zone	●	●
Control Panel Lock / Safety Time Switch off	● / ●	● / ●
HOOD FEATURES		
Climate Control sensor	●	●
Power levels	17 + 2 Intensive	17 + 1 Intensive
Automatic intensive revert setting	6 minutes	6 minutes
Automatic after running	12 / 30 minutes	30 minutes
Dishwasher safe grease filter cassette with spillage collection	Yes - 200ml capacity	Yes - 200ml capacity
Dishwasher safe spillage overflow collector	700ml capacity	700ml capacity
Electronic grease filter / cleanAir filter saturation indicators	● / ●	● / ●
PERFORMANCE / TECHNICAL INFORMATION – HOB		
Nominal voltage / Maximum power output	V / W 220-240 / 7,400	220-240 / 7,400
Electrical cable length	cm 110	110
Rear left flex Induction zone	kW/mm 2.20	190x210
Rear right flex Induction zone	kW/mm 2.20	200x240
Front left flex Induction zone	kW/mm 2.20	200x240
Front right flex Induction zone	kW/mm 2.20	190x210
flex Induction zone left	kW/mm 3.30	400x240
flex Induction zone right	kW/mm 3.30	400x240
Rear left / right zone – with Power Boost	max. kW 3.70 / 3.70	3.70 / 3.70
Front left / right zone – with Power Boost	max. kW 3.70 / 3.70	3.70 / 3.70
PERFORMANCE / TECHNICAL INFORMATION – EXTRACTOR		
Extractor energy efficiency rating		
Extraction Rate in m³/h^{1,2}		
Ducted / Recirculating power level Minimum	154 / 150	161 / 154
Ducted / Recirculating power level Maximum	500 / 500	500 / 500
Ducted / Recirculating power level Intensive	622 / 615	622 / 615
Noise level (sound power) based on dB(A) re 1 pW^{1,3}		
Ducted / Recirculating power level Minimum	42 / 41	42 / 41
Ducted / Recirculating power level Maximum	69 / 68	69 / 68
Ducted / Recirculating power level Intensive	74 / 72	74 / 72
Motor power	170	170

VENTING HOBS			
N 70	N50	N50	
T47TD7BN2	T48CB1AX2	T46CB4AX2	
DESIGN			
Width	708mm	802mm	592mm
Control position/type	Touch Control	Touch Control	Touch Control
Style	Premium Glass on Steel	Frameless	Frameless
KEY FEATURES			
Home Connect	●	●	●
Integrated extractor	●	●	●
Automatic extraction	Auto-On	Auto-On	Auto-On
Power Move	2 stages		
Power Transfer automatic setting transfer	●	●	●
Frying Sensor	4 settings		
Power Boost	●	●	●
Flex Induction	●	●	●
Number of Flex Induction zones	2: Left & Right		
Combi Zone Induction	2: Left & Right		
HOB FEATURES			
Number of individual zones	4	4	4
Power Levels	17	17	17
Digital display	●	●	●
Count up Timer	●	●	●
Main on/off switch / QuickStart / Restart Function	● / ● / ●	● / ● / ●	● / ● / ●
Energy Consumption Display	●	●	●
Pan Recognition	●	●	●
Demo Mode	●	●	●
Keep Warm Function	●	●	●
SAFETY FEATURES			
Residual Heat Indicator / Wipe Protection Function	● / ●	● / ●	● / ●
Timer with automatic switch off for each zone	●	●	●
Control Panel Lock / Safety Time Switch off	● / ●	● / ●	● / ●
HOOD FEATURES			
Climate Control sensor	●	●	●
Power levels	9 + 2 Intensive	3 + 1 Intensive	3 + 1 Intensive
Automatic intensive revert setting	6 minutes	6 minutes	6 minutes
Automatic after running	12 / 30 minutes	12 / 30 minutes	12 / 30 minutes
Dishwasher safe grease filter cassette with spillage collection	Yes - 200ml capacity	Yes - 200ml capacity	Yes - 200ml capacity
Dishwasher safe spillage overflow collector	700ml capacity	700ml capacity	700ml capacity
Electronic grease filter / cleanAir filter saturation indicators	● / ●	● / ●	● / ●
PERFORMANCE / TECHNICAL INFORMATION – HOB			
Nominal voltage / Maximum power output	V / W 220-240 / 7,400	220-240 / 7,400	220-240 / 7,400
Electrical cable length	cm 110	110	110
Rear left flex Induction zone	kW/mm 2.20	180	150
Rear right flex Induction zone	kW/mm 2.20	180	150
Front left flex Induction zone	kW/mm 2.20	210	210
Front right flex Induction zone	kW/mm 2.20	210	210
flex Induction zone left	kW/mm 3.60	380x210	
flex Induction zone right	kW/mm 3.60	380x210	
Rear left / right zone – with Power Boost	max. kW 3.70 / 3.70	3.10 / 3.10	2.20 / 2.20
Front left / right zone – with Power Boost	max. kW 3.70 / 3.70	3.70 / 3.70	3.70 / 3.70
PERFORMANCE / TECHNICAL INFORMATION – EXTRACTOR			
Extractor energy efficiency rating			
Extraction Rate in m³/h^{1,2}			
Ducted / Recirculating power level Minimum	154 / 150	332 / 327	332 / 327
Ducted / Recirculating power level Maximum	500 / 500	500 / 500	500 / 500
Ducted / Recirculating power level Intensive	622 / 615	575 / 565	575 / 565
Noise level (sound power) based on dB(A) re 1 pW^{1,3}			
Ducted / Recirculating power level Minimum	42 / 41	60 / 58	60 / 58
Ducted / Recirculating power level Maximum	69 / 68	68 / 68	68 / 68
Ducted / Recirculating power level Intensive	74 / 72	72 / 70	72 / 70
Motor power	170	170	170

¹ Air flow and noise declarations made in line with CECEC Code Of Conduct. ² Measured according to EN61591 on largest pipe diameter. ³ Sound power measured according to EN60704-3 on largest pipe diameter.

Venting Hob Installation Options

For the full range of installation accessories see page 80 of the Appliance Line Drawings.

UNDUCTED RECIRCULATION

Why use Unducted Recirculation

- Easy and quick to fit
- Less parts
- Cost effective

Requires no reduction in depth to the bottom two drawers and allows for more design flexibility, for example, floating islands.

Automatic run on of the extractor fan at min power level dries the filters and continues air flow through the service void, removing any potential moisture for extra safety.



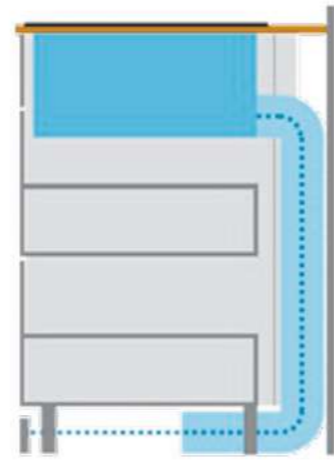
Full Depth Drawers Possible

PARTLY DUCTED RECIRCULATION

Why use Partly Ducted Recirculation

Required when the distance from the back of the appliance to back of the base unit void is greater than 80mm.

Suitable for installations with non insulated walls or where damp has been an issue.



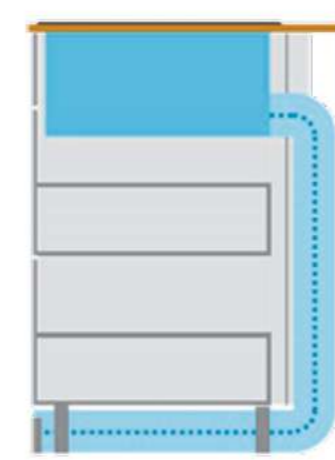
Maximum drawer depth 513mm with 70+cm worktop

FULLY DUCTED RECIRCULATION

Why use Fully Ducted Recirculation

Required when the distance from the back of the appliance to back of the base unit void is greater than 80mm.

Gives total peace of mind for non insulated walls or where damp has been an issue.



Maximum Drawer Depth 513mm with 70+cm worktop

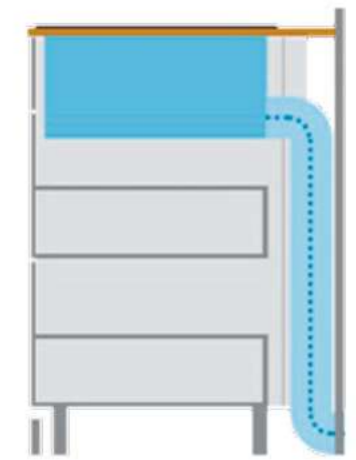
DUCTED OUT EXTRACTION

Why use Ducted Out

Allows the removal of heat and moisture created by cooking, as well as grease and odour.

An improvement of extraction rate over recirculation modes* 615m3h recirculation 622m3h ducted out

*As per test parameters for the energy label declaration.



Maximum Drawer Depth 513mm with 70+ worktop

Installation considerations

What do I need?

- 4 x cleanAir filters and telescopic slider.
- These are supplied as standard with all inductionAir Plus appliances.

Good to know

- Telescopic slider ventilates air from the appliance into the service void. Max expansion of slider 80mm.
- Min requirement of service void 25mm, recommended 50mm min.

Important to note

- This option is NOT suitable for installations with non insulated walls.
- This is the ONLY installation type that uses the telescopic slider.

Installation considerations

What do I need?

- 4 x cleanAir re-circulating filters. Supplied with appliance.
- Starter Kit 1 **Z861KR0** or 2 **Z861KR1** depending on the work surface depth.

Good to know

- Partly Ducted Recirculation takes the air down into the plinth and ventilates in through the plinth cavity.
- This requires greater depth work surface or reduced depth drawers.
- The 94mm ducting height cannot be changed to a slimmer version (reduces effectiveness) using an adaptor, as the 94mm space is still needed for the 90 degree turn from the horizontal to the vertical.

Important to note

- Starter Kits 1 and 2 provide all the required ducting and connectors for this mode of installation.
- The appliance may be fitted with another manufacturers ducting that has a rounded radius (please check compatibility before purchase). You will still need to purchase a (**Z821PD1**) diffusor.

Installation considerations

What do I need?

- 4 x cleanAir re-circulating filters. Supplied with appliance.
- Starter Kit 1 **Z861KR0** or 2 **Z861KR1** depending on the work surface depth
- To fully duct to the plinth an additional straight channel and a connector are required. A 500mm ducting section should be sufficient in most cases depending on worktop depth.

Good to know

- Full Recirculation kit takes air down through the plinth and out into the room via a plinth vent.
- This requires greater depth or reduced depth drawers.
- The 94mm ducting height cannot be changed to a slimmer version (reduces effectiveness) using an adaptor, as the 94mm space is still needed for the 90 degree turn from the horizontal to the vertical.

Important to note

- The appliance maybe fitted with another manufacturers ducting that has a rounded radius (please check compatibility before purchase). You will still need to purchase a (**Z821PD1**) diffusor.

Installation considerations

What do I need?

- Starter Kit 3 **Z861KE1** (Includes 4 acoustic filters, radius bend, connector and 50cm straight channel).
- To complete your installation we can provide additional ducting lengths, connectors and adaptors.

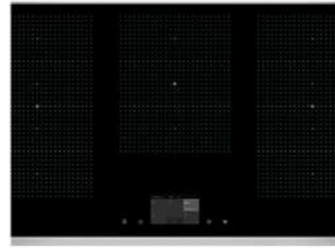
Good to know

- It is also possible to use a fully ducted system, out of the kitchen.
- The acoustic filter kit is still required and is accessed the same way as the recirculation options.
- The Venting hob has been tested with a ducting run of 8 metres with 3 x 90 degree turns and maintaining efficient performance.
- We don't currently offer an external grid to go on the outside wall – this needs to be sourced independently.

Important to note

- The appliance maybe fitted with another manufacturers ducting that has a rounded radius (please check compatibility before purchase) You will still need to purchase (**Z811DU0**) x4 acoustic filters.

Flex Induction Hobs



Home Connect



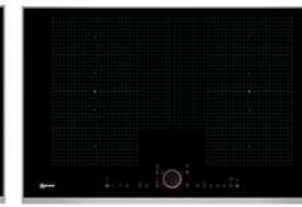
Home Connect



Home Connect



Home Connect

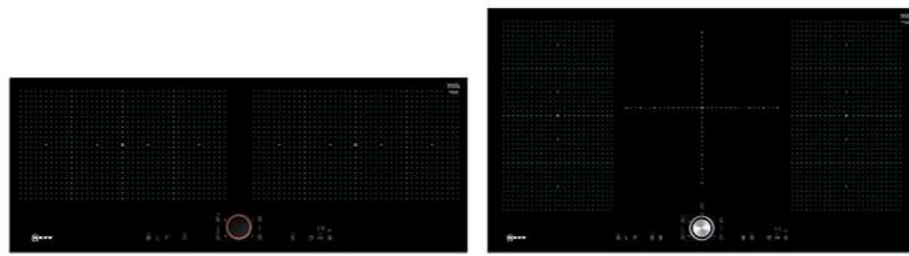


Home Connect

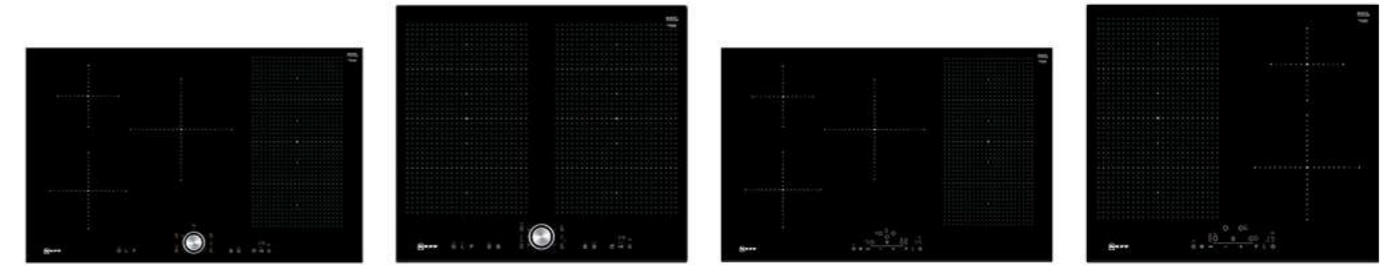
HOB TYPE	FLEXINDUCTION	
COLLECTION	N 90	N 90
MODEL NO.	T59TF6RN0	T68TF6RN0
DESIGN		
Width mm	918mm	826mm
Control position	Front	Front
Control type	TFT Control	TFT Control
Style	Premium glass on steel	Premium Glass on Steel
KEY FEATURES		
Home Connect	•	•
HobHood Control	•	•
5" Full Touch colour display with Dish Categories	•	•
Power Move	3-steps	3-steps
Automatic setting transfer	•	•
Frying Sensor	5 settings	5 settings
Power Boost	•	•
Pan Boost	•	•
Number of Flex Induction zones	3	2
Extended Flex Induction Zone		2
Number of Combi Induction zones		
FEATURES		
Number of individual zones	5	4
Power levels	17	17
Digital display	•	•
Count up Timer	•	•
QuickStart	•	•
Restart Function	•	•
Energy Consumption Display	•	•
Main on/off switch	•	•
Quick-Off Function		
Pan Recognition	•	•
Demo Mode	•	•
Keep Warm Function	•	•
SAFETY FEATURES		
Residual Heat Indicator	•	•
Timer with automatic switch off for each zone	•	•
Control Panel Lock	•	•
Safety Time Switch off	•	•
Wipe Protection Function	•	•
PERFORMANCE / TECHNICAL INFORMATION		
Nominal voltage V	220-240	220-240
Maximum power output W	11,100	7,400
Electrical cable length cm	110	110
GB plug		
Rear left FlexInduction zone - power kW/mm	2.20	2.20
Rear left zone power kW/mm		200x230
Rear right FlexInduction zone - power kW/mm	2.20	2.20
Rear right zone power kW/mm		200x230
Rear Centre zone power kW/mm	2.60	
Rear Centre zone power kW/mm		300x240
Front Centre zone power kW/mm		
Front left FlexInduction zone - power kW/mm	2.20	2.20
Front left zone power kW/mm		200x230
Front right FlexInduction zone - power kW/mm	2.20	2.20
Front right zone power kW/mm		200x230
FlexInduction Zone left power kW/mm	3.30	3.30
FlexInduction Zone left power kW/mm		400x230
FlexInduction Zone right power kW/mm	3.30	3.30
FlexInduction Zone right power kW/mm		400x230
Extended FlexInduction rear left - power kW/mm		3.30
Extended FlexInduction rear left - power kW/mm		300x300
Extended FlexInduction rear right - power kW/mm		3.30
Extended FlexInduction rear right - power kW/mm		300x300
CombiZone left power kW/mm		
CombiZone right power kW/mm		
Rear left zone with powerBoost (max. kW)	3.70	3.70
Rear right zone with powerBoost (max. kW)	3.70	3.70
Rear Centre zone with powerBoost (max. kW)	3.70	
Front Centre zone with powerBoost (max. kW)		
Front left zone with powerBoost (max. kW)	3.70	3.70
Front right zone with powerBoost (max. kW)	3.70	3.70

FLEXINDUCTION			
N 90	N 90	N 90	N 90
T59TS61N0	T59TS5RN0	T68TS6RN0	T66TS6RN0
DESIGN			
Width mm	918mm	918mm	826mm
Control position	Front	Front	Front
Control type	Twistpad®Fire	Twistpad®Fire	Twistpad®Fire
Style	Premium Glass on Steel	Premium Glass on Steel	Premium Glass on Steel
KEY FEATURES			
Home Connect	•	•	•
HobHood Control	•	•	•
5" Full Touch colour display with Dish Categories	•	•	•
Power Move	3-steps	3-steps	3-steps
Automatic setting transfer	•	•	•
Frying Sensor	5 settings	5 settings	5 settings
Power Boost	•	•	•
Pan Boost	•	•	•
Number of Flex Induction zones	3	2	2
Extended Flex Induction Zone			1
Number of Combi Induction zones			
FEATURES			
Number of individual zones	5	5	4
Power levels	17	17	17
Digital display	•	•	•
Count up Timer	•	•	•
QuickStart	•	•	•
Restart Function	•	•	•
Energy Consumption Display	•	•	•
Main on/off switch	•	•	•
Quick-Off Function			
Pan Recognition	•	•	•
Demo Mode	•	•	•
Keep Warm Function	•	•	•
SAFETY FEATURES			
Residual Heat Indicator	•	•	•
Timer with automatic switch off for each zone	•	•	•
Control Panel Lock	•	•	•
Safety Time Switch off	•	•	•
Wipe Protection Function	•	•	•
PERFORMANCE / TECHNICAL INFORMATION			
Nominal voltage V	220-240	220-240	220-240
Maximum power output W	11,100	11,100	7,400
Electrical cable length cm	110	110	110
GB plug			
Rear left FlexInduction zone - power kW/mm	2.20	2.20	2.20
Rear left zone power kW/mm	200x240	200x240	200x230
Rear right FlexInduction zone - power kW/mm	2.20	2.20	2.20
Rear right zone power kW/mm	200x240	200x240	200x230
Rear Centre zone power kW/mm	2.60	3.30	
Rear Centre zone power kW/mm	300x240	300x240	
Front Centre zone power kW/mm			
Front left FlexInduction zone - power kW/mm	2.20	2.20	2.20
Front left zone power kW/mm	200x240	200x240	200x230
Front right FlexInduction zone - power kW/mm	2.20	2.20	2.20
Front right zone power kW/mm	200x240	200x240	200x230
FlexInduction Zone left power kW/mm	3.30	3.30	3.30
FlexInduction Zone left power kW/mm	400x240	400x240	400x230
FlexInduction Zone right power kW/mm	3.30	3.30	3.30
FlexInduction Zone right power kW/mm	400x240	400x240	400x230
Extended FlexInduction rear left - power kW/mm			3.30
Extended FlexInduction rear left - power kW/mm			300x300
Extended FlexInduction rear right - power kW/mm			3.30
Extended FlexInduction rear right - power kW/mm			300x300
CombiZone left power kW/mm			
CombiZone right power kW/mm			
Rear left zone with powerBoost (max. kW)	3.70	3.70	3.70
Rear right zone with powerBoost (max. kW)	3.70	3.70	3.70
Rear Centre zone with powerBoost (max. kW)	3.70	3.70	
Front Centre zone with powerBoost (max. kW)			
Front left zone with powerBoost (max. kW)	3.70	3.70	3.70
Front right zone with powerBoost (max. kW)	3.70	3.70	3.70

Flex Induction Hobs

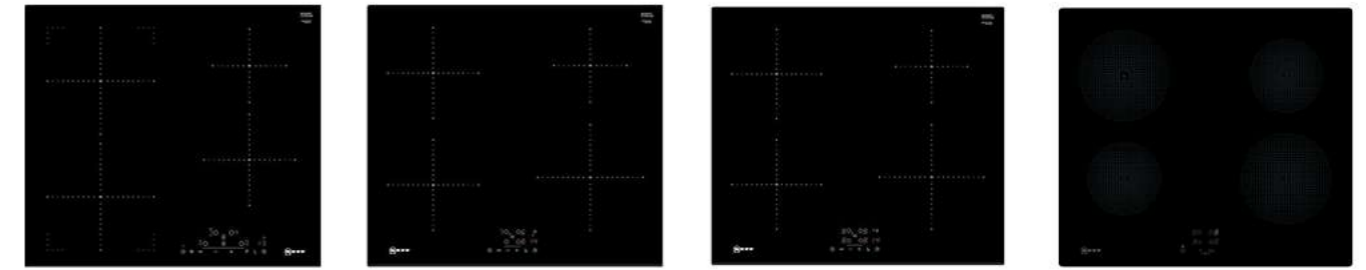
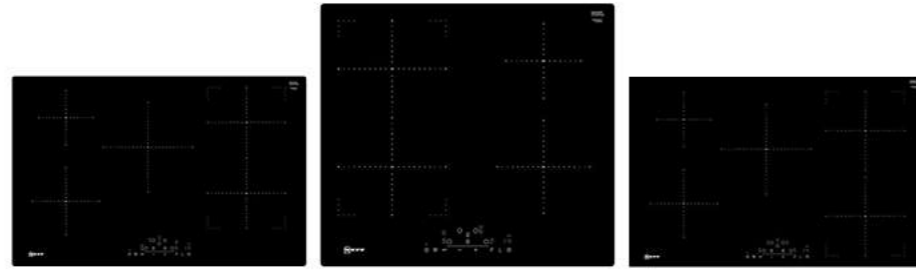


HOB TYPE	FLEXINDUCTION	
COLLECTION	N 90	N 70
MODEL NO.	T50FS41X0	T59FT50X0
DESIGN		
Width	903mm	918mm
Control position	Front	Front
Control type	Twistpad®Fire	Twistpad®
Style	Front Bevel	Front Bevel
KEY FEATURES		
Home Connect		
Hob-Hood Control		
5' Full Touch colour display with Dish Categories		
Power Move	3-steps	3-steps
Automatic setting transfer		
Frying Sensor	5 settings	
Power Boost	●	●
Pan Boost	●	●
Number of Flex Induction zones	2	2
Extended Flex Induction Zone		
Number of Combi Induction zones		
FEATURES		
Number of individual zones	4	5
Power levels	17	17
Digital display	●	●
Count up Timer	●	●
QuickStart	●	●
Restart Function	●	●
Energy Consumption Display	●	●
Main on/off switch	●	●
Quick-Off Function		
Pan Recognition	●	●
Demo Mode	●	●
Keep Warm Function	●	●
SAFETY FEATURES		
Residual Heat Indicator	●	
Timer with automatic switch off for each zone	●	
Control Panel Lock	●	
Safety Time Switch off	●	
Wipe Protection Function	●	
PERFORMANCE / TECHNICAL INFORMATION		
Nominal voltage	V 220-240	220-240
Maximum power output	W 7,400	11,100
Electrical cable length	cm 110	110
GB plug		
Rear left FlexInduction zone - power	kW/mm 2.20	200x210 2.20
Rear left zone - power	kW/mm	200x230
Rear right FlexInduction zone - power	kW/mm 2.20	200x210 2.20
Rear right zone - power	kW/mm	200x230
Rear Centre zone - power	kW/mm	3.30 200x230
Front Centre zone - power	kW/mm	
Front left FlexInduction zone - power	kW/mm 2.20	200x210 2.20
Front left zone - power	kW/mm	200x230
Front right FlexInduction zone - power	kW/mm 2.20	200x210 2.20
Front right zone - power	kW/mm	200x230
FlexInduction Zone left - power	kW/mm 3.30	400x210 3.30
FlexInduction Zone right - power	kW/mm 3.30	400x210 3.30
Extended FlexInduction rear left - power	kW/mm	
Extended FlexInduction rear right - power	kW/mm	
CombiZone left - power	kW/mm	
CombiZone right - power	kW/mm	
Rear left zone - with powerBoost	(max. kW) 3.70	3.70
Rear right zone - with powerBoost	(max. kW) 3.70	3.70
Rear Centre zone - with powerBoost	(max. kW) 3.70	3.70
Front Centre zone - with powerBoost	(max. kW)	
Front left zone - with powerBoost	(max. kW) 3.70	3.70
Front right zone - with powerBoost	(max. kW) 3.70	3.70



		FLEXINDUCTION			
		N 70	N 70	N 70	N 70
		T58FT20X0	T56FT60X0	T58FD20X0	T56FD50X0
Width	mm	802mm	592mm	802mm	592mm
Control position		Front	Front	Front	Front
Control type		Twistpad®	Twistpad®	Touch Control	Touch Control
Style		Front Bevel	Front Bevel	Front Bevel	Front Bevel
KEY FEATURES					
Home Connect					
Hob-Hood Control					
5' Full Touch colour display with Dish Categories					
Power Move		3-steps	3-steps		
Automatic setting transfer					
Frying Sensor					
Power Boost		●	●	●	●
Pan Boost		●	●		
Number of Flex Induction zones		1	2	1	1
Extended Flex Induction Zone					
Number of Combi Induction zones					
FEATURES					
Number of individual zones		5	4	5	4
Power levels		17	17	17	17
Digital display		●	●	●	●
Count up Timer		●	●	●	●
QuickStart		●	●	●	●
Restart Function		●	●	●	●
Energy Consumption Display		●	●	●	●
Main on/off switch		●	●	●	●
Quick-Off Function					
Pan Recognition		●	●	●	●
Demo Mode		●	●		
Keep Warm Function		●	●	●	●
SAFETY FEATURES					
Residual Heat Indicator					
Timer with automatic switch off for each zone					
Control Panel Lock					
Safety Time Switch off					
Wipe Protection Function					
PERFORMANCE / TECHNICAL INFORMATION					
Nominal voltage	V	220-240	220-240	220-240	220-240
Maximum power output	W	7,400	7,400	7,400	7,400
Electrical cable length	cm	110	110	110	110
GB plug					
Rear left FlexInduction zone - power	kW/mm	1.40	2.20	1.40	2.20
Rear left zone - power	kW/mm	145	190x240	145	200x240
Rear right FlexInduction zone - power	kW/mm	2.20	2.20	2.20	2.20
Rear right zone - power	kW/mm	200x210	190x240	200x210	200x210
Rear Centre zone - power	kW/mm	2.20	240	2.20	240
Front Centre zone - power	kW/mm				
Front left FlexInduction zone - power	kW/mm	1.80	2.20	1.80	2.20
Front left zone - power	kW/mm	180	190x240	180	200x240
Front right FlexInduction zone - power	kW/mm	2.20	2.20	2.20	2.20
Front right zone - power	kW/mm	200x210	190x240	200x210	200x210
FlexInduction Zone left - power	kW/mm	3.30	3.30	3.30	3.30
FlexInduction Zone right - power	kW/mm	400x210	380x240	400x210	400x240
Extended FlexInduction rear left - power	kW/mm				
Extended FlexInduction rear right - power	kW/mm				
CombiZone left - power	kW/mm				
CombiZone right - power	kW/mm				
Rear left zone - with powerBoost	(max. kW)	2.20	3.70	2.20	3.70
Rear right zone - with powerBoost	(max. kW)	3.70	3.70	3.70	2.20
Rear Centre zone - with powerBoost	(max. kW)	3.70		3.70	
Front Centre zone - with powerBoost	(max. kW)				
Front left zone - with powerBoost	(max. kW)	3.10	3.70	3.10	3.70
Front right zone - with powerBoost	(max. kW)	3.70	3.70	3.70	3.70

Induction Hobs



HOB TYPE	INDUCTION					
COLLECTION	N 70		N 70		N 70	
MODEL NO.	T48PD23X2		T46PD53X2		T48FD23X2	
DESIGN						
Width	793mm		572mm		802mm	
Control position	Front		Front		Front	
Control type	Touch Control		Touch Control		Touch Control	
Style	Flushline		Flushline		Front Bevel	
KEY FEATURES						
HomeConnect						
Hob-Hood Control						
5" Full Touch colour display						
Power Move	2-steps		2-steps		2-steps	
Automatic setting transfer						
Frying Sensor						
Power Boost	●		●		●	
Pan Boost						
Number of flexInduction zones						
Extended flexInduction Zone						
Number of combiZones	1		1		1	
FEATURES						
Number of individual zones	5		4		5	
Power levels	17		17		17	
Digital display	●		●		●	
Count up Timer						
QuickStart	●		●		●	
Restart Function	●		●		●	
Energy Consumption Display	●		●		●	
Main on/off switch	●		●		●	
Quick-Off Function	●		●		●	
Pan Recognition	●		●		●	
Demo Mode						
Keep Warm Function	●		●		●	
SAFETY FEATURES						
Residual Heat Indicator						
Timer with automatic switch off for each zone						
Control Panel Lock						
Safety Time Switch off						
Wipe Protection Function						
PERFORMANCE / TECHNICAL INFORMATION						
Nominal voltage	220-240		220-240		220-240	
Maximum power output	7,400		6,900		7,400	
Electrical cable length	110		110		110	
GB plug						
Rear left FlexInduction zone - power	kW/mm		kW/mm		kW/mm	
Rear left zone - power	1.40	145	2.20	190x210	1.40	145
Rear right FlexInduction zone - power	kW/mm		kW/mm		kW/mm	
Rear right zone - power	2.20	190x210	1.40	145	2.20	190x210
Rear Centre zone - power	2.20	240	2.20	240	2.20	240
Front Centre zone - power	kW/mm					
Front left FlexInduction zone - power	kW/mm		kW/mm		kW/mm	
Front left zone - power	1.80	180	2.20	190x210	1.80	180
Front right FlexInduction zone - power	kW/mm		kW/mm		kW/mm	
Front right zone - power	2.20	190x210	1.80	180	2.20	190x210
FlexInduction Zone left - power	kW/mm					
FlexInduction Zone right - power	kW/mm					
Extended FlexInduction rear left - power	kW/mm					
Extended FlexInduction rear right - power	kW/mm					
CombiZone left - power	kW/mm		kW/mm		kW/mm	
CombiZone right - power	3.6	380x210	3.6	380x210	3.6	380x210
Rear left zone - with powerBoost (max. kW)	2.20		3.70		2.20	
Rear right zone - with powerBoost (max. kW)	3.70		2.20		3.70	
Rear Centre zone - with powerBoost (max. kW)	3.70					
Front Centre zone - with powerBoost (max. kW)						
Front left zone - with powerBoost (max. kW)	3.10		3.70		3.10	
Front right zone - with powerBoost (max. kW)	3.70		3.10		3.70	

		INDUCTION								
		N 70		N 50		N 50		N 30		
		T46FD53X2		T36FB40X0		T36FB41X0G		T36CA50X1U		
Width	592mm	592mm		592mm		592mm		592mm		
Control position	Front	Front		Front		Front		Front		
Control type	Touch Control	Touch Control		Touch Control		Touch Control		Touch Control Basic		
Style	Front Bevel	Front bevel		Frameless		Frameless		Frameless		
KEY FEATURES										
HomeConnect										
Hob-Hood Control										
5" Full Touch colour display										
Power Move	2-steps									
Automatic setting transfer										
Frying Sensor										
Power Boost	●		●		●		●		Rear left only	
Pan Boost										
Number of flexInduction zones										
Extended flexInduction Zone										
Number of combiZones	1									
FEATURES										
Number of individual zones	4		4		4		4		4	
Power levels	17		17		17		17		9	
Digital display	●		●		●		●		●	
Count up Timer										
QuickStart	●		●		●		●		●	
Restart Function	●		●		●		●		●	
Energy Consumption Display	●		●		●		●		●	
Main on/off switch	●		●		●		●		●	
Quick-Off Function	●		●		●		●		●	
Pan Recognition	●		●		●		●		●	
Demo Mode										
Keep Warm Function	●									
SAFETY FEATURES										
Residual Heat Indicator										
Timer with automatic switch off for each zone										
Control Panel Lock										
Safety Time Switch off										
Wipe Protection Function										
PERFORMANCE / TECHNICAL INFORMATION										
Nominal voltage	220-240		220-240		220-240		220-240		220-240	
Maximum power output	6,900		4,600		3,700		3,700		3,700	
Electrical cable length	110		110		110		110		110	
GB plug					●		●		●	
Rear left FlexInduction zone - power	kW/mm		kW/mm		kW/mm		kW/mm		kW/mm	
Rear left zone - power	2.20	190x210	1.80	180	1.80	180	1.80	180	1.80	180
Rear right FlexInduction zone - power	kW/mm		kW/mm		kW/mm		kW/mm		kW/mm	
Rear right zone - power	1.40	145	1.40	145	1.40	145	1.40	145	1.40	145
Front Centre zone - power	kW/mm						kW/mm		kW/mm	
Front left FlexInduction zone - power	kW/mm		kW/mm		kW/mm		kW/mm		kW/mm	
Front left zone - power	2.20	190x210	1.80	180	1.80	180	1.40	145	1.40	145
Front right FlexInduction zone - power	kW/mm		kW/mm		kW/mm		kW/mm		kW/mm	
Front right zone - power	1.80	180	2.20	210	2.20	210	1.80	180	1.80	180
FlexInduction Zone left - power	kW/mm						kW/mm		kW/mm	
FlexInduction Zone right - power	kW/mm						kW/mm		kW/mm	
Extended FlexInduction rear left - power	kW/mm						kW/mm		kW/mm	
Extended FlexInduction rear right - power	kW/mm						kW/mm		kW/mm	
CombiZone left - power	kW/mm		kW/mm		kW/mm		kW/mm		kW/mm	
CombiZone right - power	3.6		380x210		3.6		380x210		3.6	
Rear left zone - with powerBoost (max. kW)	3.70		3.10		3.00		3.10		3.10	
Rear right zone - with powerBoost (max. kW)	2.20		2.20		2.20		2.20		2.20	
Rear Centre zone - with powerBoost (max. kW)										
Front Centre zone - with powerBoost (max. kW)										
Front left zone - with powerBoost (max. kW)	3.70		3.10		3.00		3.70		3.00	
Front right zone - with powerBoost (max. kW)	3.10		3.70		3.00		3.10		3.00	

All models comply with COMMISSION REGULATION (EC) No 1275/2008 with regard to ecodesign requirements for standby and off mode electric power consumption. 14.6kW power output (20A); Current management options for 16A, 13A or 10A connection. *MasterPartner® and AAR product only.

Ceramic Hobs



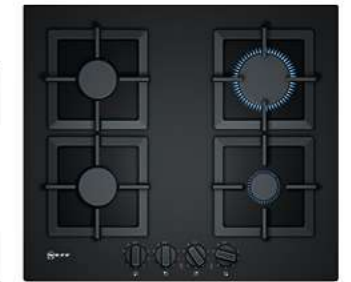
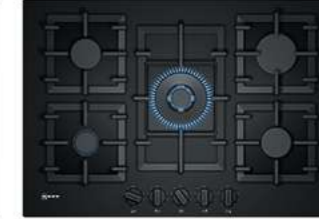
HOB TYPE	QUICKLIGHT HOBS					
COLLECTION	N 70		N 70		N 30	
MODEL NO.	TL18HD9F1		TL16EB1N1		TL16EK0N1	
COLOUR						
Width mm	802		592		592	
Control position	Front		Front		Side	
Control type	Touch Control		Touch Control		Control Dials	
Style	Front Bevel		Frameless		Frameless	
FEATURES						
Number of individual zones	4		4		4	
No. of dual zones	2		1		1	
No. of extendable zones	1					
Power Boost	Centre; Front Left		Front Right			
Power levels	17		17		9	
Digital display	●		●		●	
Restart function	●		●		●	
Energy consumption display	●		●		●	
Main on/off switch	●		●		●	
Keep warm function	●		●		●	
SAFETY FEATURES						
Residual heat indicator	●		●		●	
Timer with automatic switch off for each zone	●		●		●	
Control panel lock	●		●		●	
Safety time switch off	●		●		●	
Wipe protection function	●		●		●	
PERFORMANCE/TECHNICAL INFORMATION						
Nominal voltage V	220-240		220-240		220-240	
Maximum power output W	9,300		7,000		6,600	
Electrical cable length cm	110		110		110	
GB plug						
Rear left zone kW/mm	1.2	145	2.0	180	2.2kW	210mm
Rear right zone kW/mm			1.2	145	1.2kW	145mm
Rear centre zone kW/mm	1.7-2.4	180-230				
Front centre zone kW/mm						
Front left zone kW/mm	0.8-2.1	120-210	1.2	145	1.2kW	145mm
Front right zone kW/mm	1.8-2.6	170-265	0.8-2.1	210	2kW	180mm
Rear left zone – with Power Boost max. kW						
Rear right zone – with Power Boost max. kW						
Rear centre zone – with Power Boost max. kW	3.4					
Front centre zone – with Power Boost max. kW						
Front left zone – with Power Boost max. kW						
Front right zone – with Power Boost max. kW	2.6		2.6			

Domino Hobs



HOB TYPE	TEPPAN YAKI	FLEXINDUCTION	RADIANT CERAMIC QUICKLIGHT	GAS DOMINO	
COLLECTION	N 70	N 70	N 70	N 90	N 90
MODEL NO.	N74TD00N0	N53TD40N0	TL13FD9T8	N23TA19N0	N23TA29N0
DESIGN					
Width mm	396	306	306	306	306
Control position	Front	Front	Front	Front	Front
Control type	Touch control	Touch control	Touch control	Touch control	Touch control
Style	Ceramic glass / Stainless steel	Ceramic glass	Bevelled front edge	Ceramic glass	Ceramic glass
FEATURES					
FlameSelect®		1		●	●
FlexInduction zones		1			
Number of individual zones	2	2	2	1	2
No. of dual zones/dual circuit wok style burner			1	1	
No. of extendable zones	1	1			
Power Boost		●			
Pan Boost		●			
Power levels	17	17	17	9	9
Digital display	●	●		●	●
Timer with automatic switch off for each zone	●	●			
Keep warm function	●	●			
Wipe protection function		●			
Pre-set for natural gas				●	●
Safety cut-out facility				●	●
Low profile single piece burners				●	●
Cast iron pan supports				●	1
SAFETY FEATURES					
Main on/off switch	●	●	●	●	●
Two stage residual heat indicators	●	●	●	●	●
Safety lock	●	●	●		
Timed safety switch off	●	●	●		
PERFORMANCE/TECHNICAL INFORMATION					
Nominal voltage V	220-240	220-240	220-240	220-240	220-240
Maximum power output W	1,900	3,700	3,500	6,000	4,700
Electrical cable length cm	100	110	100	100	100
GB plug					
Rear zone kW/mm	0.95	2.2	1.2	145	2.80
Front zone kW/mm		2.2	1.0 2.0	120/180	1.90
Centre/centre front burner power kW					6.0
Extended flexInduction kW/mm		3.3			
Rear zone – with power Boost max. kW		3.7			
Front zone – with power Boost max. kW		3.7	2.3		
STANDARD ACCESSORIES					
Removable ceramic glass cover	●				
Teppan Yaki spatula	●				
Wok stand				●	
LPG jets				●	●
OPTIONAL ACCESSORIES					
Connecting links for installation with domino hob	Z9914X0	Z9914X0	Z9914X0	Z9914X0	Z9914X0
Set of 4 pans (3 x pans, 1 x sauté pan)		Z9442X0			
Rectangular roasting pan with lid (approx. 320x200mm)		Z9410X1			
Steamer pan insert of use with HEZ390011 roasting pan		Z9415X1			
Teppan Yaki (approx. 300x200mm)		Z9417X2			
Teppan Yaki (approx. 400x200mm)		Z9418X0			
Griddle plate (approx. 400x200mm)		Z9416X2			

Gas Hobs

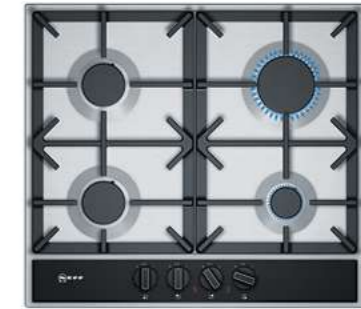
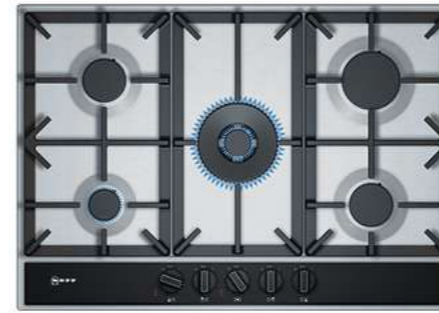
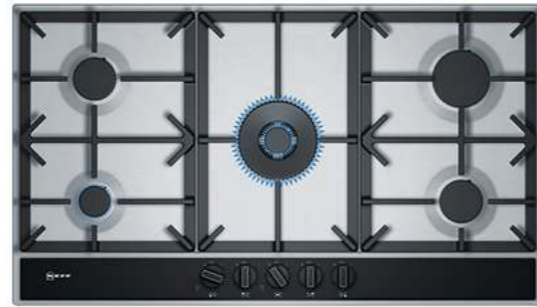
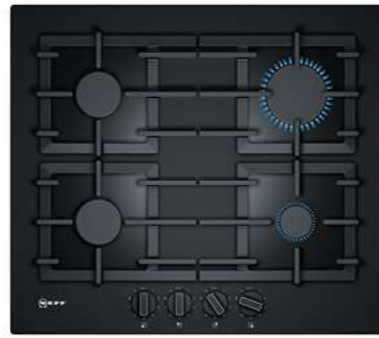


COLLECTION	N 90	N 90
STAINLESS STEEL / STAINLESS STEEL TRIM	T29TA79N0	T27TA69N0
BLACK / PREMIUM BLACK		
WHITE / PREMIUM WHITE		
DESIGN		
Width	918 mm	750
Control position	Front	Front
Hob surface type	Ceramic glass	Ceramic glass
KEY FEATURES		
FlameSelect	•	•
Digital power level display	•	•
Black control panel insert	•	•
Number of dual circuit wok style burners	1	1
High power (5.0kW+) wok burner	•	•
Dual control wok burner	•	•
FEATURES		
Number of cooking zones	5	5
Individual power levels	9	9
Variable power levels		
Ignition via control dials	•	•
Flame failure safety device	•	•
Cast iron pan supports (number)	3	2
Cast iron finish pan supports (number)		
Enamelled steel pan supports	•	•
Combine with other Top Trim models using Connecting link	•	•
PERFORMANCE / TECHNICAL INFORMATION		
Nominal voltage	V 220-240	220-240
Maximum gas power output load	W 13,700	11,900
Total connected electrical load	max. W 2.0	2.0
Cable length	cm 150	100
GB plug		
Left burner power	kW 6.00	
Front left burner power	kW	1.90
Back left burner power	kW	1.90
Centre/Centre front burner power	kW 1.10	4.20
Centre back burner power	kW 1.90	
Front right burner power	kW 1.90	1.10
Back right burner power	kW 2.80	2.80
Right burner power	kW	
Pre-set for natural gas	•	•
CE Marked	•	•
STANDARD ACCESSORY		
Wok stand	•	•
LPG jets	28-30/37mbar	28-30/37mbar
OPTIONAL ACCESSORY		
Connecting link to combine with other	Z9914X0	Z9914X0

N 90	N 70	N 70	N 70
T26TA49N0	T27CA59S0	T27CS59S0	T26CA42S0
606	752	752	590
Front	Front	Front	Front
Ceramic glass	Tempered glass	Tempered glass	Tempered glass
•	•	•	•
•	•	•	•
•	•	•	•
1	1	1	
•	•	•	•
4	5	5	4
9	9	9	9
•	•	•	•
•	•	•	•
2	5	5	4
•			
•			
220-240	220-240	220-240	220-240
7,700	11,500	11,500	7,500
2.0	2.0	1.1	1.1
100	100	100	100
1.90	1.00	1.00	1.75
1.10	1.75	1.75	1.75
	4.00	4.00	
1.90	1.75	1.75	1.00
2.80	3.00	3.00	3.00
•	•	•	•
•	•	•	•
28-30/37mbar	28-30/37mbar	28-30/37mbar	28-30/37mbar
Z9914X0			

All models comply with COMMISSION REGULATION (EC) No 1275/2008 with regard to ecodesign requirements for standby and off mode electric power consumption. 14.6kW power output (20A); Current management options for 16A, 13A or 10A connection. *MasterPartner® and AAR product only.

Gas Hobs



COLLECTION		N 70	N 70
STAINLESS STEEL / STAINLESS STEEL TRIM			T29DA69N0
BLACK / PREMIUM BLACK		T26CS49S0	
WHITE / PREMIUM WHITE			
DESIGN			
Width	mm	590	915
Control position		Front	Front
Hob surface type		Tempered glass	Metal
KEY FEATURES			
FlameSelect		•	•
Digital power level display			•
Black control panel insert			•
Number of dual circuit wok style burners			1
High power (5,0kW+) wok burner			•
Dual control wok burner			•
FEATURES			
Number of cooking zones		4	5
Individual power levels		9	9
Variable power levels			
Ignition via control dials		•	•
Flame failure safety device		•	•
Cast iron pan supports (number)		4	3
Cast iron finish pan supports (number)			
Enamelled steel pan supports (number)			
Combine with other Top Trim models using Connecting link			
PERFORMANCE / TECHNICAL INFORMATION			
Nominal voltage	V	220-240	220-240
Maximum gas power output load	W	7,500	12,500
Total connected electrical load	max. W	2.0	2.0
Cable length	cm	100	150
GB plug			
Left burner power	kW		
Front left burner power	kW	1.75	1.00
Back left burner power	kW	1.75	1.75
Centre/Centre front burner power	kW		5.00
Centre back burner power	kW		
Front right burner power	kW	1.00	1.75
Back right burner power	kW	3.00	3.00
Right burner power	kW		
Preset for natural gas		•	•
CE Marked		•	•
STANDARD ACCESSORY			
Wok stand			•
LPG jets		28-30/37mbar	28-30/37mbar
OPTIONAL ACCESSORY			
Connecting link to combine with other			

N 70		N 70
T27DA69N0		T26DA59N0
Width	mm	582
Control position		Front
Hob surface type		Metal
KEY FEATURES		
FlameSelect		•
Digital power level display		•
Black control panel insert		•
Number of dual circuit wok style burners		1
High power (5,0kW+) wok burner		•
Dual control wok burner		•
FEATURES		
Number of cooking zones		4
Individual power levels		9
Variable power levels		
Ignition via control dials		•
Flame failure safety device		•
Cast iron pan supports (number)		2
Cast iron finish pan supports (number)		
Enamelled steel pan supports (number)		
Combine with other Top Trim models using Connecting link		
PERFORMANCE / TECHNICAL INFORMATION		
Nominal voltage	V	220-240
Maximum gas power output load	W	8,000
Total connected electrical load	max. W	2.0
Cable length	cm	100
GB plug		
Left burner power	kW	
Front left burner power	kW	1.75
Back left burner power	kW	1.75
Centre/Centre front burner power	kW	
Centre back burner power	kW	
Front right burner power	kW	1.00
Back right burner power	kW	3.50
Right burner power	kW	
Preset for natural gas		•
CE Marked		•
STANDARD ACCESSORY		
Wok stand		
LPG jets		28-30/37mbar
OPTIONAL ACCESSORY		
Connecting link to combine with other		

All models comply with COMMISSION REGULATION (EC) No 1275/2008 with regard to ecodesign requirements for standby and off mode electric power consumption. 14.6kW power output (20A); Current management options for 16A, 13A or 10A connection. *MasterPartner® and AAR product only.

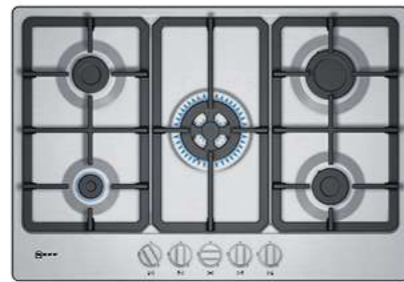
Gas Hobs



COLLECTION	N 70	N 70
STAINLESS STEEL / STAINLESS STEEL TRIM	T29DS69N0	T27DS79N0
BLACK / PREMIUM BLACK		
WHITE / PREMIUM WHITE		
DESIGN		
Width	mm 915	750
Control position	Front	Front
Hob surface type	Metal	Metal
KEY FEATURES		
FlameSelect	•	•
Digital power level display		
Black control panel insert		
Number of dual circuit wok style burners	1	1
High power (5.0kW+) wok burner	•	•
Dual control wok burner	•	•
FEATURES		
Number of cooking zones	5	5
Individual power levels	9	9
Variable power levels		
Ignition via control dials	•	•
Flame failure safety device	•	•
Cast iron pan supports (number)	3	3
Cast iron finish pan supports (number)		
Enamelled steel pan supports (number)		
Combine with other Top Trim models using Connecting link		
PERFORMANCE / TECHNICAL INFORMATION		
Nominal voltage	V 220-240	220-240
Maximum gas power output load	W 12,500	12,500
Total connected electrical load	max. W 1.1	1.1
Cable length	cm 150	100
GB plug		
Left burner power	kW	5.00
Front left burner power	kW 1.00	
Back left burner power	kW 1.75	
Centre/Centre front burner power	kW 5.00	1.00
Centre back burner power	kW	1.75
Front right burner power	kW 1.75	1.75
Back right burner power	kW 3.00	3.00
Right burner power	kW	
Pre-set for natural gas	•	•
CE Marked	•	•
STANDARD ACCESSORY		
Wok stand		
LPG jets	28-30/37mbar	28-30/37mbar
OPTIONAL ACCESSORY		
Connecting link to combine with other		

N 70	N 70	N 70
T27DS59N0	T26DS59N0	T26DS49N0
T27DS59S0		T26DS49S0
750	582	582
Front	Front	Front
Metal	Metal	Metal
•	•	•
1	1	
5	4	4
9	9	9
•	•	•
•	•	•
3	2	2
220-240	220-240	220-240
11,500	8,000	7,500
1.1	1.1	1.1
100	100	100
1.00	1.75	1.75
1.75	1.75	1.75
4.00		
1.75	1.00	1.00
3.00	3.50	3.00
•	•	•
•	•	•
28-30/37mbar	28-30/37mbar	28-30/37mbar

Gas Hobs



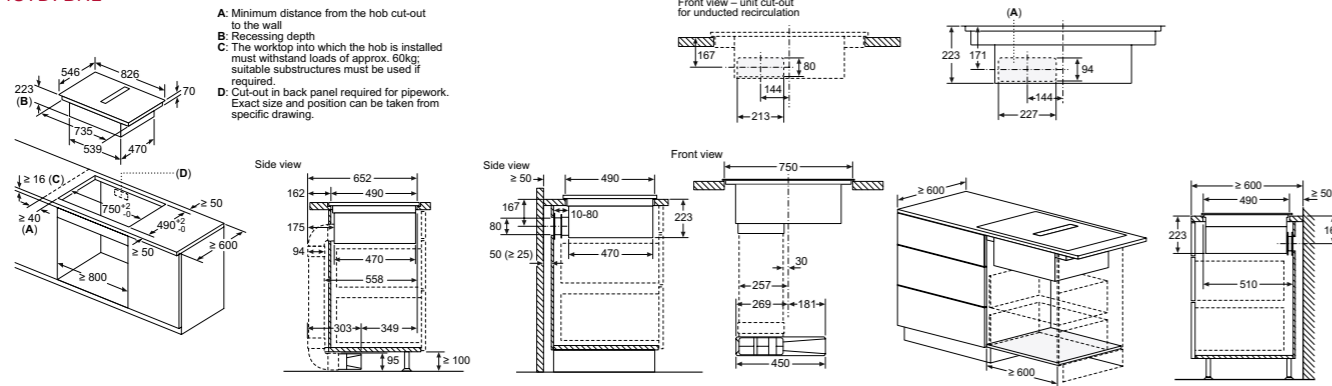
COLLECTION		N50	N50
STAINLESS STEEL / STAINLESS STEEL TRIM		T27BB59N0	T26BB59N0
BLACK / PREMIUM BLACK			
WHITE / PREMIUM WHITE			
DESIGN			
Width	mm	750	582
Control position		Front	Front
Hob surface type		Metal	Metal
KEY FEATURES			
FlameSelect			
Digital power level display			
Black control panel insert			
Number of dual circuit wok style burners		1	1
High power (5.0kW+) wok burner			
Dual control wok burner		•	•
FEATURES			
Number of cooking zones		5	4
Individual power levels			
Variable power levels		•	•
Ignition via control dials		•	•
Flame failure safety device		•	•
Cast iron pan supports (number)		3	2
Cast iron finish pan supports (number)			
Pan Supports Dishwasher safe			
Combine with other Top Trim models using Connecting link			
PERFORMANCE / TECHNICAL INFORMATION			
Nominal voltage	V	220-240	220-240
Maximum gas power output load	W	10,800	7,800
Total connected electrical load	max. W	1.1	1.1
Cable length	cm	150	100
GB plug			
Left burner power	kW		
Front left burner power	kW	1.00	1.75
Back left burner power	kW	1.75	1.75
Centre/Centre front burner power	kW	3.3	
Centre back burner power	kW		
Front right burner power	kW	1.75	1.00
Back right burner power	kW	3.00	3.30
Right burner power	kW		
Pre-set for natural gas		•	•
CE Marked		•	•
STANDARD ACCESSORY			
LPG jets		28-30/37mbar	28-30/37mbar

COLLECTION		N 50	N 30
STAINLESS STEEL / STAINLESS STEEL TRIM			T26BR46N0
BLACK / PREMIUM BLACK		T26CB49S0	T26BR46S0
WHITE / PREMIUM WHITE			T26BR46W0
DESIGN			
Width	mm	590	580
Control position		Front	Right Side
Hob surface type		Tempered glass	Metal
KEY FEATURES			
FlameSelect			
Digital power level display			
Black control panel insert			
Number of dual circuit wok style burners			
High power (5.0kW+) wok burner			
Dual control wok burner			
FEATURES			
Number of cooking zones		4	4
Individual power levels			
Variable power levels		•	•
Ignition via control dials		•	•
Flame failure safety device		•	•
Cast iron pan supports (number)		2	
Cast iron finish pan supports (number)			2
Pan Supports Dishwasher safe			
Combine with other Top Trim models using Connecting link			
PERFORMANCE / TECHNICAL INFORMATION			
Nominal voltage	V	220-240	220-240
Maximum gas power output load	W	7,500	7,400
Total connected electrical load	max. W	1.1	0.8
Cable length	cm	100	100
GB plug			
Left burner power	kW		
Front left burner power	kW	1.75	3.00
Back left burner power	kW	1.75	1.70
Centre/Centre front burner power	kW		
Centre back burner power	kW		
Front right burner power	kW	1.00	1.00
Back right burner power	kW	3.00	1.70
Right burner power	kW		
Pre-set for natural gas		•	•
CE Marked		•	•
STANDARD ACCESSORY			
LPG jets		28-30/37mbar	28-30/37mbar

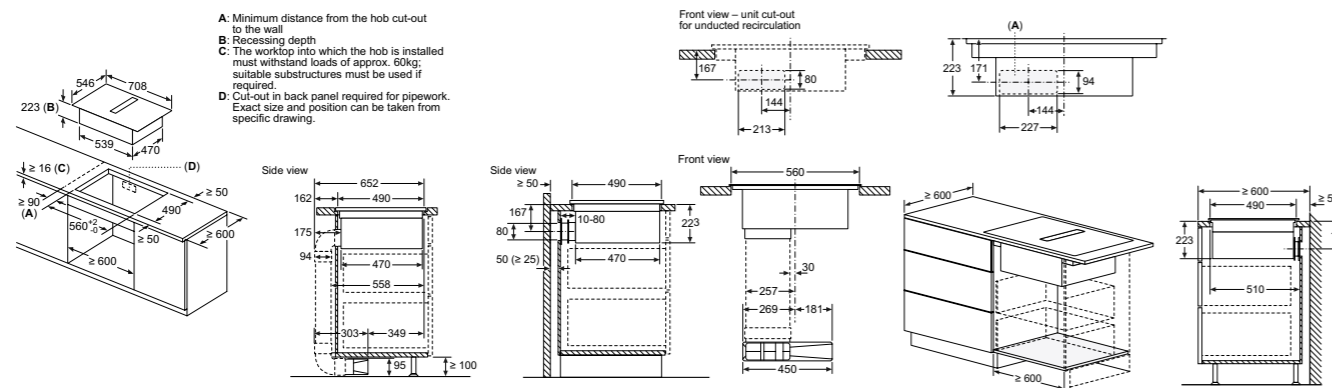
All models comply with COMMISSION REGULATION (EC) No 1275/2008 with regard to ecodesign requirements for standby and off mode electric power consumption. 14.6kW power output (20A); Current management options for 16A, 13A or 10A connection. *MasterPartner® and AAR product only.

Venting Hobs

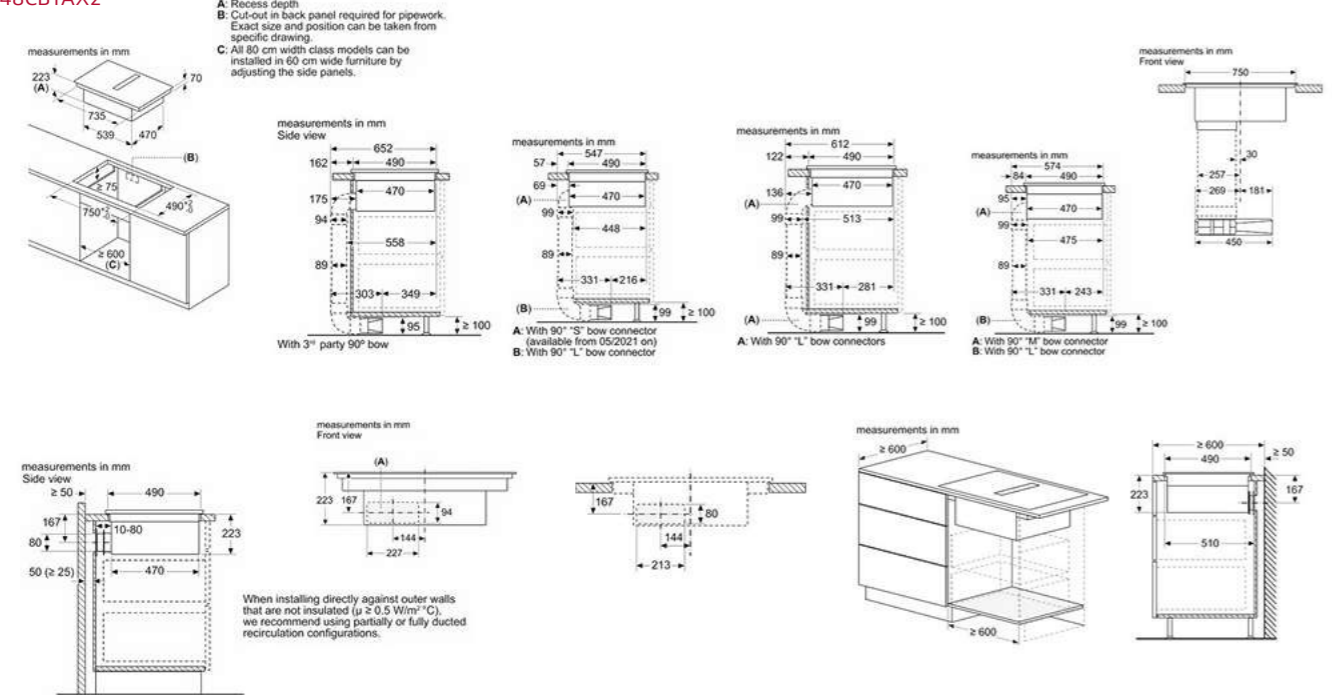
T58TL6EN2, T48TD7BN2



T47TD7BN2

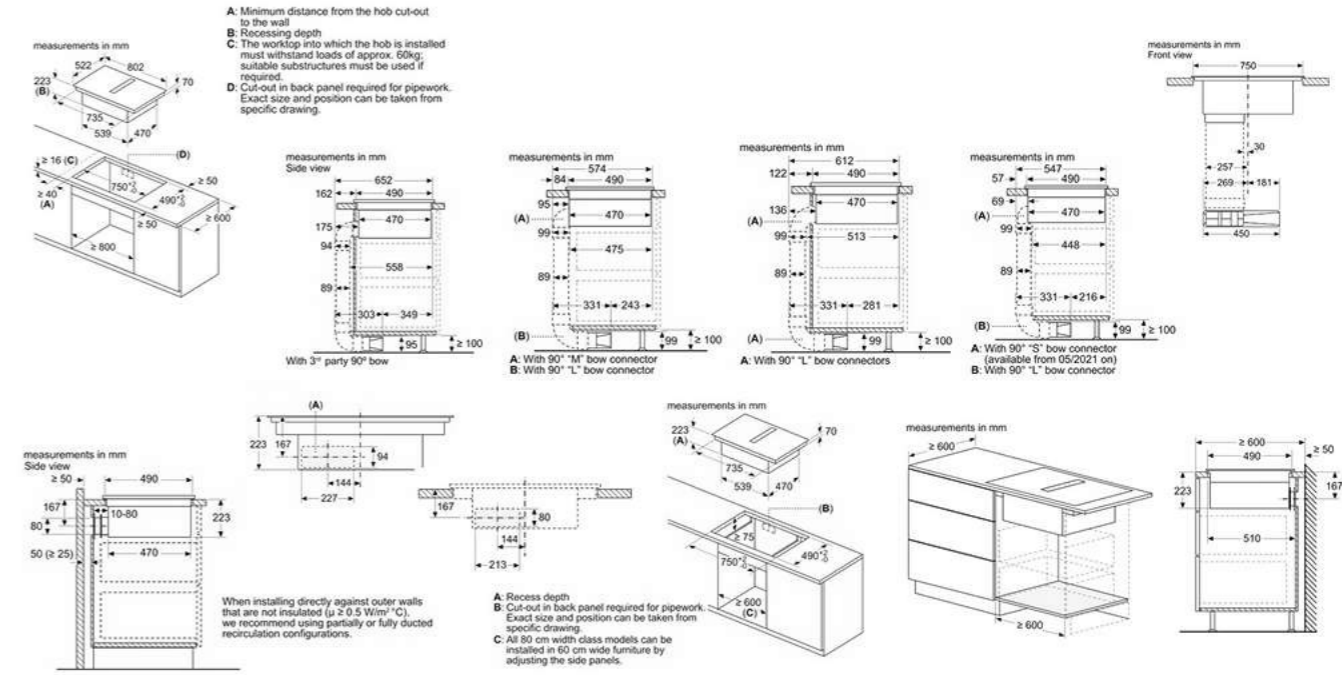


T48CB1AX2

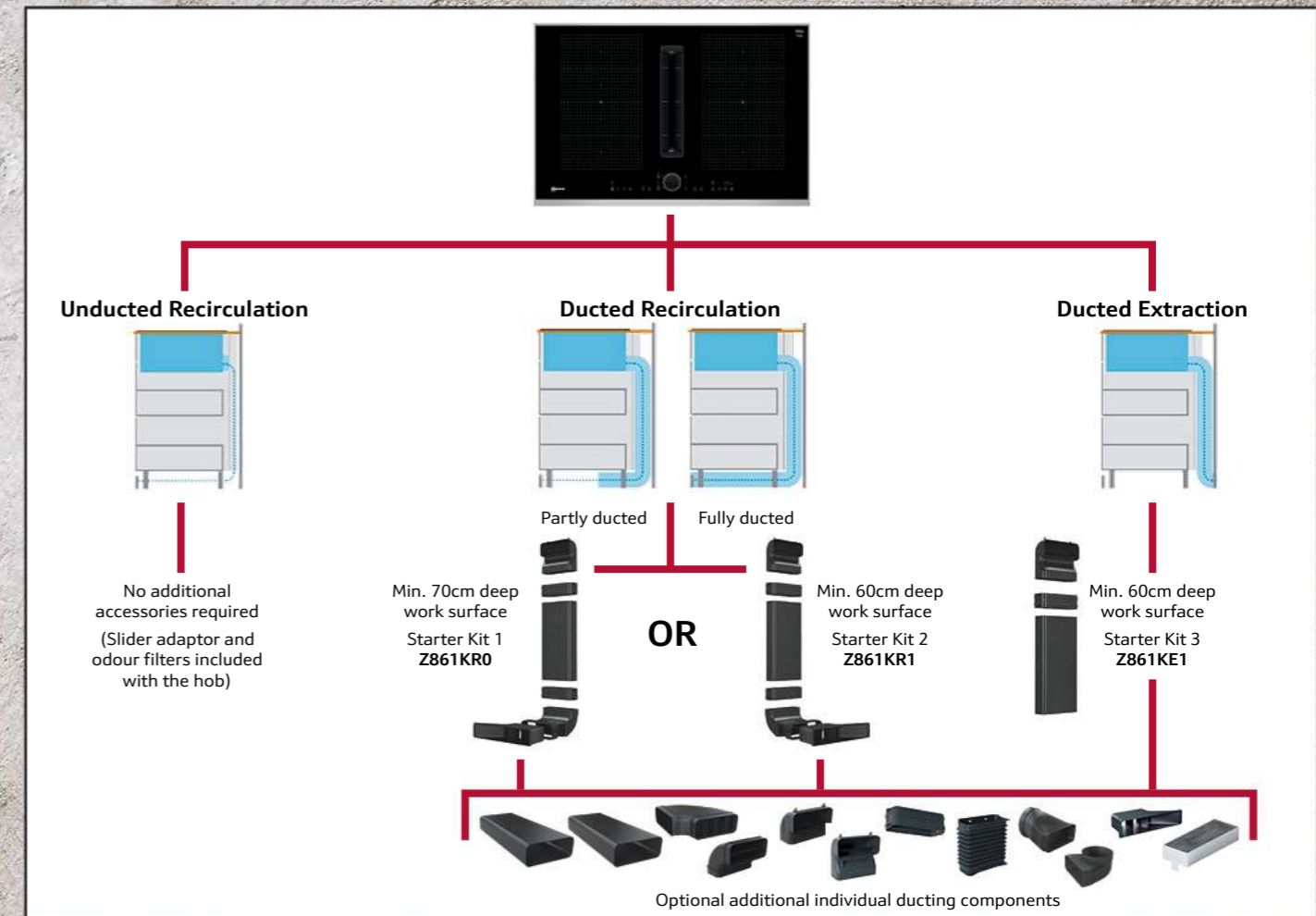


Venting Hobs

T46CB4AX2



Venting Hobs Installation Options and Accessories



Venting Hobs Ducting Components

DESCRIPTION	CODE	MEASUREMENTS (mm)	COMPONENT
Flat channel ducting component, straight length, 100cm long Ducting component outlet size: 222mm x 89mm	Z861SM2		
Flat channel ducting component, straight length, 50cm long Ducting component outlet size: 222mm x 89mm	Z861SM1		
Flat channel 90° horizontal bend Ducting component outlet size: 222mm x 89mm	Z861SB1		
Flat channel 90° vertical bend (large Radius), suitable for 70cm worktop depths Ducting component outlet size: 222mm x 89mm	Z861SB2		
Flat channel 90° vertical bend (medium Radius), suitable for 65cm worktop depths Ducting component outlet size: 222mm x 89mm	Z861SB3		
Flat channel 90° vertical bend (short Radius), suitable for 60cm worktop depths Ducting component outlet size: 222mm x 89mm	Z861SB4		
Connection piece for use between ducting components and bends Ducting component size: 223mm x 90mm	Z861SS1		
Flexible Connection piece for use between ducting components and bends Ducting component size: 223mm x 90mm	Z861SS2		
Straight Adaptor / Converter flat to round (Ø 150mm) Ducting component outlet size: 222mm x 89mm	Z861S10		
90° Adaptor / Converter flat to round (Ø 150mm) Ducting component outlet size: 222 mm x 89mm	Z861S11		
Diffusor for ducted recirculation - outlet size: 222mm x 89mm	Z821PD1		
1 x set of CleanAir recirculation filters, Z811DU0 1 X set of Acoustic filters	Z821VR0		

Flex Induction Hobs

T59TF6RN0, T59TS61N0, T59TS5RN0

* Minimum distance from the hob cut-out to the wall
 ** Recessed depth
 *** With fitted oven underneath min. 30, possibly more; see space requirements for the oven

① Ventilation gap must be present

T68TF6RN0, T68TS6RN0

* Minimum distance from the hob cut-out to the wall
 ** Recessed depth
 *** With fitted oven underneath min. 30, possibly more; see space requirements for the oven

① Ventilation gap must be present

T66TS6RN0

* Minimum distance from the hob cut-out to the wall
 ** Recessed depth
 *** With fitted oven underneath min. 30, possibly more; see space requirements for the oven

① Ventilation gap must be present

Flex Induction Hobs

T50FS41X0

Technical drawings for T50FS41X0 showing dimensions and installation requirements. The top drawing shows a perspective view with dimensions: 346, 903, 839, 29, 22, 50, 880⁺², 330⁺², 50, 450, 20, 51, 40. The middle drawing shows a side view with dimensions: min. 45, 20, 65, min. 45. The bottom drawing shows a perspective view with dimension: min. 820. A note indicates: ① Ventilation gap must be present.

* Minimum distance from the hob cut-out to the wall
 ** Recessed depth
 *** With fitted oven underneath min. 30, possibly more; see space requirements for the oven

T59FT50X0

Technical drawings for T59FT50X0 showing dimensions and installation requirements. The top drawing shows a perspective view with dimensions: 522, 918, 827, 29, 23, 50, 880⁺², 490-500⁺², 50, 600, 20, 51, 40. The middle drawing shows a side view with dimensions: min. 45, 20, 65, min. 45. The bottom drawing shows a perspective view with dimension: min. 820. A note indicates: ① Ventilation gap must be present.

* Minimum distance from the hob cut-out to the wall
 ** Recessed depth
 *** With fitted oven underneath min. 30, possibly more; see space requirements for the oven

T58FT20X0, T58FD20X0

Technical drawings for T58FT20X0, T58FD20X0 showing dimensions and installation requirements. The top drawing shows a perspective view with dimensions: 522, 802, 518, 129, 23, 50, 750⁺², 490-500⁺², 50, 600, 20, 51, 40. The middle drawing shows a side view with dimensions: min. 45, 20, 65, min. 45. The bottom drawing shows a perspective view with dimension: min. 550. A note indicates: ① Ventilation gap must be present.

* Minimum distance from the hob cut-out to the wall
 ** Recessed depth
 *** With fitted oven underneath min. 30, possibly more; see space requirements for the oven

T56FT60X0, T56FD50X0

Technical drawings for T56FT60X0, T56FD50X0 showing dimensions and installation requirements. The top drawing shows a perspective view with dimensions: 522, 592, 560⁺², 490-500⁺², 50, 600, 20, 51, 40. The middle drawing shows a side view with dimensions: min. 45, 20, 65, min. 45. The bottom drawing shows a perspective view with dimension: min. 550. A note indicates: ① Ventilation gap must be present.

* Minimum distance from the hob cut-out to the wall
 ** Recessed depth
 *** With fitted oven underneath min. 30, possibly more; see space requirements for the oven

Induction & Ceramic Hobs

ALL INDUCTION HOBS USE ONE OF THESE LINE DRAWINGS

T48FD23X2, T46FD53X2, T36FB40X0, T36FB41X0G

Line drawing for T48FD23X2, T46FD53X2, T36FB40X0, T36FB41X0G showing dimensions and installation requirements. Dimensions: min. 65, min. 45, 20, 70, min. 45. A note indicates: ① Ventilation gap must be present.

T48PD23X2, T46PD53X2

Line drawing for T48PD23X2, T46PD53X2 showing dimensions and installation requirements. Dimensions: min. 70, min. 45, 20. A note indicates: ① Ventilation gap must be present.

ALL INDUCTION HOBS USE THESE LINE DRAWINGS
T48PD23X2, T46PD53X2, T48FD23X2, T46FD53X2, T36FB40X0, T36FB41X0G

Line drawing for T48PD23X2, T46PD53X2, T48FD23X2, T46FD53X2, T36FB40X0, T36FB41X0G showing dimensions and installation requirements. Dimensions: min. 550, min. 45, 20. A note indicates: ① Ventilation gap must be present.

T48PD23X2

Technical drawings for T48PD23X2 showing dimensions and installation requirements. The top drawing shows a perspective view with dimensions: 512, 792, 518, 129, 23, 50, 600, 56, 6.5^{+0.5}, Max. chamfer 1, 40, 50, 30. The bottom drawing shows a top view with dimensions: R 10, min. 50, R 5, 796^{±1}, 516^{±1}, 500⁺², 780⁺², min. 50. A note indicates: * Minimum distance from the hob cut-out to the wall, ** Recessed depth, *** With fitted oven underneath min. 30, possibly more; see space requirements for the oven.

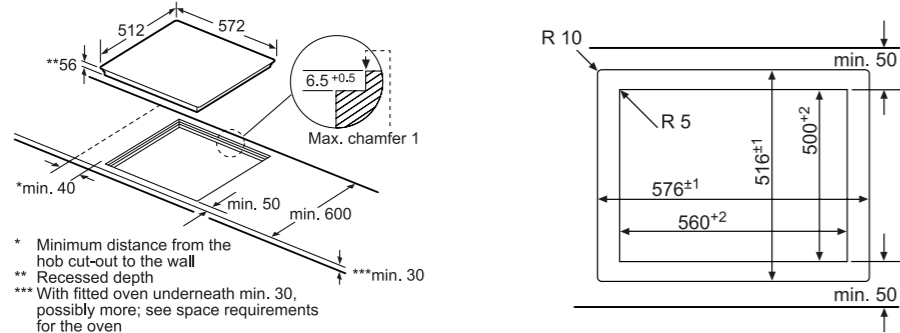
T36CA50X1U

Technical drawings for T36CA50X1U showing dimensions and installation requirements. The top drawing shows a side view with dimensions: min. 45, 20. The middle drawing shows a perspective view with dimensions: 51 (B), 522, 592, ≥ 16 (C), 560, 490-500, ≥ 40 (A), (E), (F). The bottom drawing shows a side view with dimensions: min. 550, min. 65, min. 45, min. 20. A note indicates: ① Ventilation gap must be present. A table shows: D: 585-600, E: 50, F: ≥ 35; D: > 600, E: ≥ 50, F: ≥ 50. A note indicates: All measurements in mm. A note indicates: The worktop into which the hob is installed must withstand loads of approx. 60 kg; suitable substructures must be used if required.

D	E	F
585-600	50	≥ 35
> 600	≥ 50	≥ 50

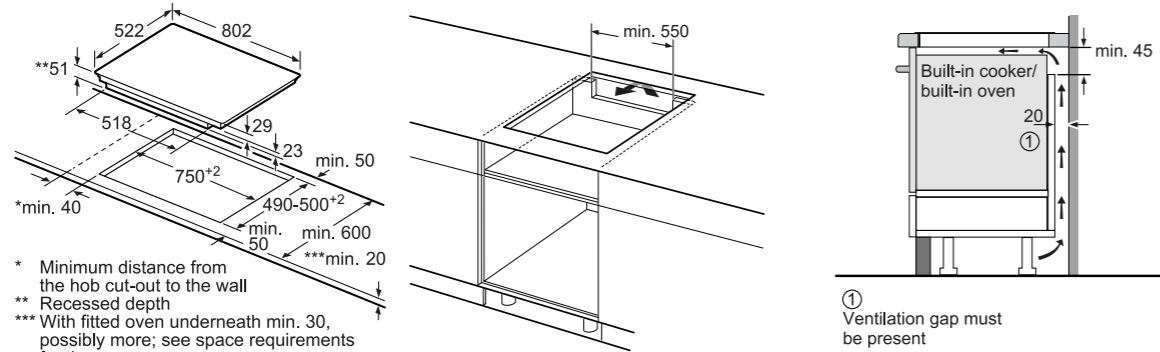
Induction & Ceramic Hobs

T46PD53X2



* Minimum distance from the hob cut-out to the wall
 ** Recessed depth
 *** With fitted oven underneath min. 30, possibly more; see space requirements for the oven

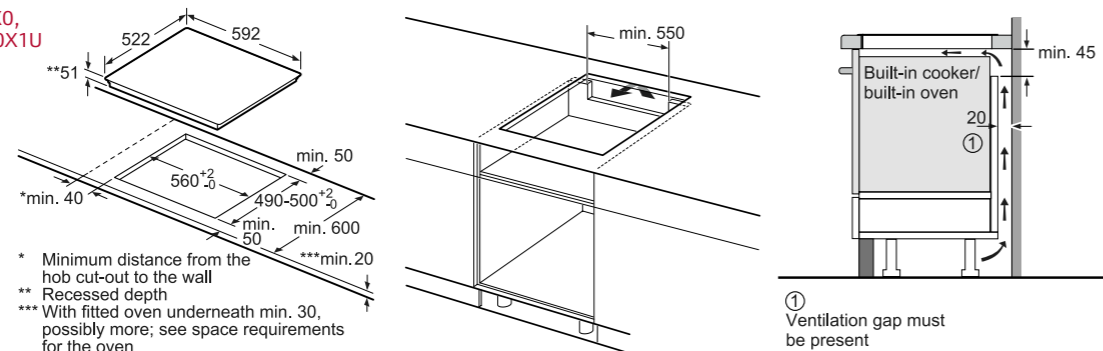
T48FD23X2



* Minimum distance from the hob cut-out to the wall
 ** Recessed depth
 *** With fitted oven underneath min. 30, possibly more; see space requirements for the oven

① Ventilation gap must be present

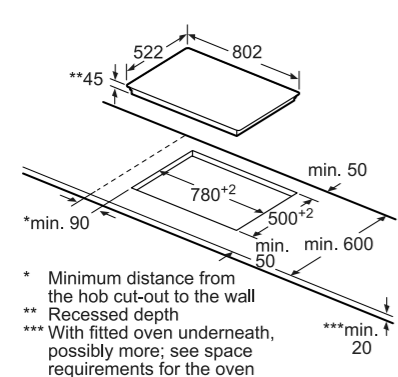
T46FD53X2, T36FB40X0, T36FB41X0G, T36CA50X1U



* Minimum distance from the hob cut-out to the wall
 ** Recessed depth
 *** With fitted oven underneath min. 30, possibly more; see space requirements for the oven

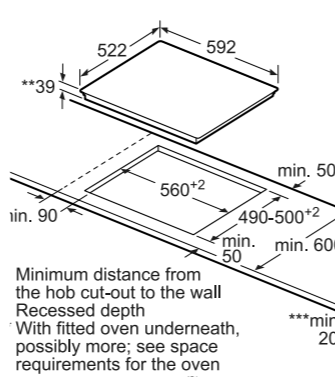
① Ventilation gap must be present

TL18HD9F1



* Minimum distance from the hob cut-out to the wall
 ** Recessed depth
 *** With fitted oven underneath, possibly more; see space requirements for the oven

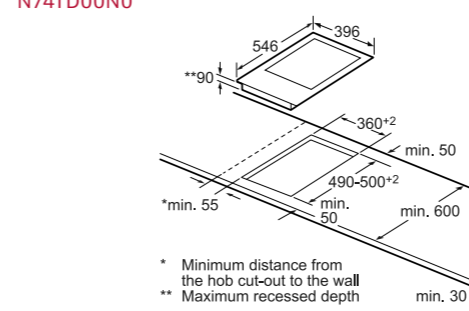
TL16EB1N1, TL16EK0N1



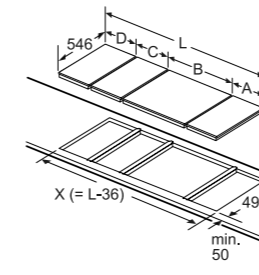
* Minimum distance from the hob cut-out to the wall
 ** Recessed depth
 *** With fitted oven underneath, possibly more; see space requirements for the oven

Domino Hobs

N74TD00N0



* Minimum distance from the hob cut-out to the wall
 ** Maximum recessed depth

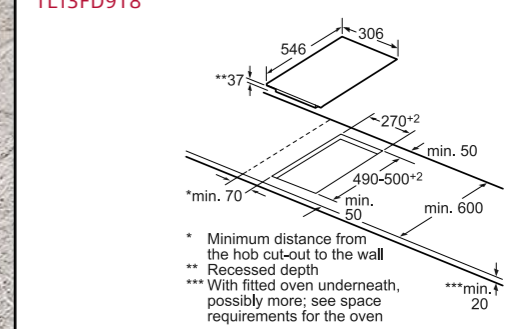


Domino combination options with corresponding appliance and cut-out dimensions

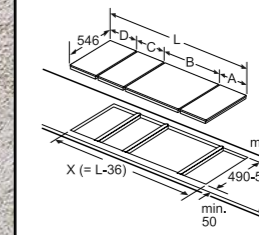
When installing several elements side by side, several assembly kits are also required (Z9914X0).

Cut-out dimensions (X) depending on the combination,

TL13FD9T8



* Minimum distance from the hob cut-out to the wall
 ** Recessed depth
 *** With fitted oven underneath, possibly more; see space requirements for the oven

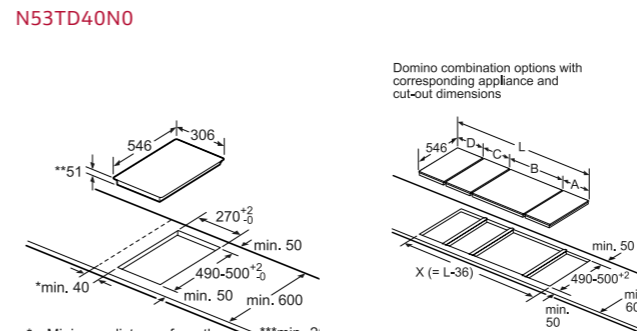


Domino combination options with corresponding appliance and cut-out dimensions

When installing several elements side by side, several assembly kits are also required (Z9914X0).

Cut-out dimensions (X) depending on the combination,

N53TD40N0

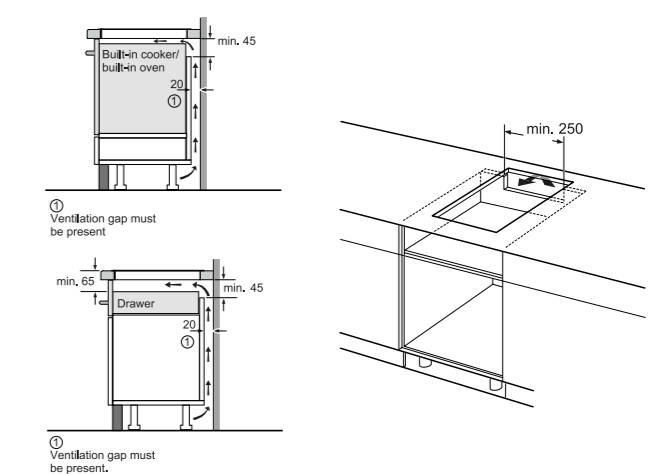


* Minimum distance from the hob cut-out to the wall
 ** Recessed depth
 *** With fitted oven underneath min. 30, possibly more; see space requirements for the oven

Domino combination options with corresponding appliance and cut-out dimensions

When installing several elements side by side, several assembly kits are also required (Z9914X0).

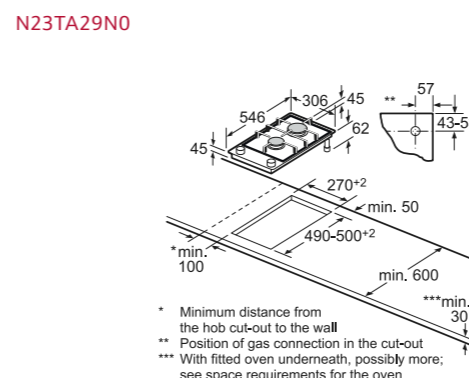
Cut-out dimensions (X) depending on the combination



① Ventilation gap must be present

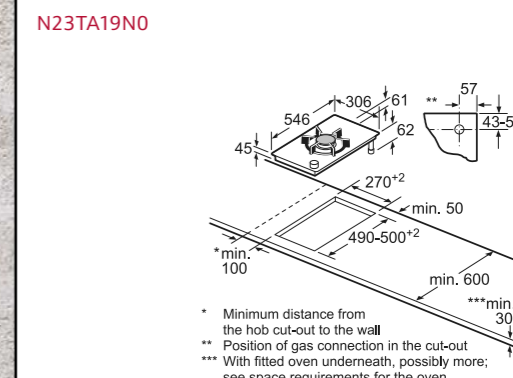
① Ventilation gap must be present.

N23TA29N0



* Minimum distance from the hob cut-out to the wall
 ** Position of gas connection in the cut-out
 *** With fitted oven underneath, possibly more; see space requirements for the oven

N23TA19N0



* Minimum distance from the hob cut-out to the wall
 ** Position of gas connection in the cut-out
 *** With fitted oven underneath, possibly more; see space requirements for the oven

Your Guide to Island Solutions

Simply eye-catching

If you like a contemporary-styled kitchen with an island cooking area, our island cooker hoods can add an inspiring focal point. A kitchen island, being in the centre of the kitchen, provides a hub for cooking, entertaining and socialising in one of the most used rooms in the home.



Ceiling Hood And Hob

- Can be installed to a minimum height of 1500mm.
- Some models available as plug & play & reversible motors.



NEW GLASS DRAFT HOOD

Worktop Installation

- Guided Air.
- Options for ducting.
- Featuring Hob Hood Control & Home Connect.
- Whisper quiet and powerful.



Venting Hob

- Designed with flexibility in mind.
- Many options and sizes to install.
- Incredibly quiet and unobtrusive on an island.



Island Chimney Hood

- Sleek, stylish and convenient to use.
- No worktop or unit space is used.
- Reduced noise for better cooking environment.

Island Hood Sizes



Island Hood Ranges

CEILING HOODS						
Series	Width	Description	Hob Hood Control /Remote Control	Home Connect	Colour	Model Number
N 70	120cm	120 x 50cm, Climate Control Sensor, LED lights.	•/•	✓	White Glass	I25CBS8W0B
N 70	105cm	105 x 60cm, 3 + 2 intensive, LED lights.	•/•	✓	White	I14RBQ8W0
N 90	90cm	90 x 50cm, Climate Control Sensor, LED lights with adjustable white colour temperature.	•/•	✓	White Glass	I97CPS8W5B
N 70	90cm	90 x 50cm, Climate Control Sensor, LED lights.	•/•	✓	White Glass	I95CBS8W0B
N 50	90cm	Flat Motor for 200mm built-in height, 90 x 50cm, LED lights.	•/•	✓	Stainless steel	I94CAQ6N0B
N 50	90cm	90 x 50cm, LED lights.	•/•	✓	Stainless steel	I95CAQ6N0B
N 50	90cm	90 x 50cm, LED lights.	•/•	✓	White	I95CAQ6W0B
N 50	90cm	Compact Motor for installation between joists, 90 x 50cm, LED lights.	/•	✓	Stainless steel	I95CAP6N1B

WORKTOP INSTALLATION						
Series	Width	Description	Hob Hood Control /Remote Control	Home Connect	Colour	Model Number
N 90	90cm	New Guided Air, Climate Control Sensor, touch control, remote mountable motor up to 3m.	•/	✓	Black with clear glass	I98WMM1S1B

BOX ISLAND HOODS						
Series	Width	Description	Hob Hood Control /Remote Control	Home Connect	Colour	Model Number
N 90	90cm	90 x 60cm, Climate Control Sensor, Touch Control, LED lights with adjustable white colour temperature.	•/	✓	Stainless steel	I96BMV5N5B
N 50	90cm	90 x 60cm, Flat Glass Island Hood, Touch Control, 3 speed + intensive, LED lights.			Stainless steel & glass	I95GBE2N0B
N 70	90cm	90 x 60cm, Touch Control, 3 speed + 2 intensive, LED lights.			Stainless steel	I96BMP5N0B

Your Guide to Wall Mounted Solutions

For a fantastic atmosphere

Hoods installed on the wall can be used to create a design feature in themselves, adding a focal point to your kitchen while offering powerful extraction for all types of cooking. Choose from a range of styles to suit your kitchen design, including the trendy Creative Slim hoods or Angled Glass hoods with features such as Ambient Light that let you express yourself with colour, as well as your cooking. And if choosing to install in recirculation, the hood can be fitted without a chimney piece for a sleeker finish to your hood installation.



Angled Glass

- Inclined front with dimmable LED mood lighting.
- Fully automatic air sensor.
- Whisper quiet ventilation.
- Chimless or Chimney options.



Flat Slimline

- Creative Slim.
- Unique to NEFF.
- Magnetic Surface – Ideal for creative notes.
- Flat against the wall for more space.
- Quiet operation.



Glass Chimney

- Popular & Minimalistic.
- Variety of specifications and sizes.
- LED low energy lighting.



Box Chimney

- Classic box design.
- Highly Efficient.
- Quiet operation.
- LED low energy lighting.



Pyramid Chimney

- Traditional styled.
- Broad variety of sizes & specifications.
- Quiet operation.



Slim Pyramid Chimney

- Flatter profile.
- Broad variety of sizes & specifications.
- Quiet operation.

Wall Mounted Hood Sizes



Wall Mounted Hood Ranges

ANGLED GLASS CHIMNEY HOODS						
Series	Width	Description	Hob Hood Control /Remote Control	Home Connect	Colour	Model Number
N 90	90cm	Touch Control with illuminated sensors, Ambient light, Climate Control Sensor, LED Lights.	•/•	✓	Black Glass & Stainless steel chimney	D96IKW1S0B
N 50	90cm	Touch Control, LED Lights.	•/•	✓	Black Glass & Black Chimney	D95IHM1S2B
N 50	90cm	Touch Control, LED Lights.	•/•	✓	Black Glass & Stainless steel chimney	D95IHM1S0B
N 30	80cm	Single Pane Angled Glass Chimney Hood, SoftTouch Control, LED Lights.	•/•	✓	Black Glass & Stainless steel control	D85IEE1S0B
N 50	60cm	Touch Control, LED Lights.	•/•	✓	Black Glass & Black Chimney	D65IHM1S2B
N 50	60cm	Touch Control, LED Lights.	•/•	✓	Black Glass & Stainless steel chimney	D65IHM1S0B
N 30	60cm	Single Pane Angled Glass Chimney Hood, SoftTouch Control, LED Lights.	•/•	✓	Black Glass & Stainless steel control	D65IEE1S0B

FLAT SLIMLINE GLASS CHIMNEY HOODS						
Series	Width	Description	Hob Hood Control /Remote Control	Home Connect	Colour	Model Number
N 70	90cm	Creative Slimline Glass Hood, Touch Control, LED Lights.			Black Glass	D95FRM1S0B

BOX CHIMNEY HOODS						
Series	Width	Description	Hob Hood Control /Remote Control	Home Connect	Colour	Model Number
N 90	90cm	Inlay Box Design, Climate Control Sensor, Touch Control, LED lights with adjustable white colour temperature.	•/	✓	Stainless steel	D96BMV5N5B
N 70	90cm	Inlay Box Design, Touch Control, 3 speed + 2 intensive, LED lights.			Stainless steel	D95BMP5N0B
N 50	90cm	Inlay Box Design, 3 speed + intensive, electronic, Touch Control, LED lights.			Stainless steel	D94BHM1N0B
N 30	90cm	Box Design, 3 speed, push buttons, LED lights.			Stainless steel	D92BBC0N0B
N 70	60cm	Inlay Box Design, Touch Control, 3 speed + 2 intensive, LED lights.			Stainless steel	D65BMP5N0B
N 50	60cm	Inlay Box Design, 3 speed + intensive, electronic, Touch Control, LED lights.			Stainless steel	D64BHM1N0B
N 30	60cm	Box Design, 3 speed, push buttons, LED lights.			Stainless steel	D62BBC0N0B

Wall Mounted Hood Ranges (cont...)

CURVED GLASS CHIMNEY HOODS

Series	Width	Description	Hob Hood Control /Remote Control	Home Connect	Colour	Model Number
N 50	90cm	3 speed + intensive, electronic, Touch Control, LED lights.			Stainless steel & glass	D94AFM1N0B
N 30	90cm	3 speed, push buttons, LED lights.			Stainless steel & glass	D94ABC0N0B
N 50	60cm	3 speed + intensive, electronic, Touch Control, LED lights.			Stainless steel & glass	D64AFM1N0B
N 30	60cm	3 speed, push buttons, LED lights.			Stainless steel & glass	D64ABC0N0B

FLAT GLASS DESIGN CHIMNEY HOODS

Series	Width	Description	Hob Hood Control /Remote Control	Home Connect	Colour	Model Number
N 30	90cm	3 speed, push buttons, LED lights.			Stainless steel & glass	D94GBC0N0B
N 30	60cm	3 speed, push buttons, LED lights.			Stainless steel & glass	D64GBC0N0B

PYRAMID CHIMNEY HOODS

Series	Width	Description	Hob Hood Control /Remote Control	Home Connect	Colour	Model Number
N 30	90cm	3 speed, LED lights.			Stainless steel	D92PBC0N0B
N 30	75cm	3 speed, LED lights.			Stainless steel	D72PBC0N0B
N 30	60cm	3 speed, LED lights.			Stainless steel	D62PBC0N0B

SLIM PYRAMID CHIMNEY HOODS

Series	Width	Description	Hob Hood Control /Remote Control	Home Connect	Colour	Model Number
N 50	90cm	3 speed + intensive, electronic, Touch Control, LED lights.			Stainless steel	D94QFM1N0B
N 30	90cm	3 speed, push buttons, LED lights.			Stainless steel	D92QBC0N0B
N 50	60cm	3 speed + intensive, electronic, Touch Control, LED lights.			Stainless steel	D64QFM1N0B
N 30	60cm	3 speed, push buttons, LED lights.			Stainless steel	D62QBC0N0B



THE NEFF OVEN COLLECTIONS

HOBS

VENTILATION

REFRIGERATION

DISHWASHING

LAUNDRY

Your Guide to Integrated Furniture Solutions

A great fit

When cooking up a meal for friends and family the last thing you want is the noise of a hood in the background. Our integrated furniture hoods are built to operate on low noise levels while maintaining high air quality in your kitchen. Choose between telescopic and integrated hoods to find the hood that fits your kitchen, and cooking style, best.



Integrated Design Hood – Invisible design for that seamless finish

- Designed to fit neatly under an overhead unit.
- Integrated Hoods are discreet and save valuable kitchen space.
- Extra Storage Space – The hood's T-shaped design creates extra space for many large and handy items up to 10kg on each side.
- Reduced Noise: the low-noise motor makes it possible to listen to your own kitchen story.
- Your kitchen deserves the best in lighting design. Our hoods with LED Lighting not only look good, they help you focus, whatever you're cooking.



Telescopic Hood

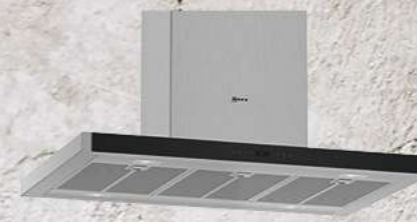
- For a smaller kitchen where space is at a premium, these clever hoods pull out from underneath a cabinet when required.



Integrated Hood

- These hoods look like they're part of the furniture.
- Hidden behind a unit door, they simply pull out when needed.

Hood Sizes



90cm



70cm



60cm

Hood Ranges

TELESCOPIC HOODS						
Series	Width	Description	Hob Hood Control /Remote Control	Home Connect	Colour	Model Number
N 90	90cm	3 speed + 2 Intensive, Touch Control, LED lights, Stainless steel filter covers.			Stainless Steel/Black	D49PU54X1B
N 70	90cm	3 speed + 2 Intensive, Electronic Push Button Controls, LED lights, Stainless steel filter covers.			Stainless Steel	D49ML54N1B
N 50	90cm	3 speed + 1 Intensive, Easy Electronic Controls, LED lights.			Stainless Steel	D49ED22N1B
N 70	60cm	3 speed + 2 Intensive, Electronic Push Button Controls, LED lights, Stainless steel filter covers.			Stainless Steel	D46ML54N1B
N 50	60cm	3 speed + 1 Intensive, Easy Electronic Controls, LED lights.			Stainless Steel	D46ED22N1B
N 30	60cm	3 speed, Rocker Switch Controls, LED lights.			Metallic silver	D46BR22N1B

INTEGRATED DESIGN HOODS						
Series	Width	Description	Hob Hood Control /Remote Control	Home Connect	Colour	Model Number
N 70	90cm	Flush Integrated design with fold out glass panel. LED lighting - automatic on opening glass, 3 Speed + 1 Intensive, Touch Control.			Black body & fold out glass panel	D95XAM2S0B
N 70	60cm	Flush Integrated design with fold out glass panel. LED lighting - automatic on opening glass, 3 Speed + 1 Intensive, Touch Control.			Black body & fold out glass panel	D65XAM2S0B

INTEGRATED HOODS						
Series	Width	Description	Hob Hood Control /Remote Control	Home Connect	Colour	Model Number
N 30	60cm	3 speed, push buttons, LED lights, high extraction rate.			Metallic silver	D64MAC1X0B
N 30	60cm	3 speed, push buttons, LED lights.			Metallic silver	D61MAC1X0B

CANOPY HOODS						
Series	Width	Description	Hob Hood Control /Remote Control	Home Connect	Colour	Model Number
N 30	73cm	3 speeds + intensive, LED lights.			Metallic silver	D5855X1GB
N 90	70cm	Rim Ventilation Design, 3 speed + intensive, electronic, LED lights.			Stainless steel & black glass	D57ML67N1B
N 50	70cm	Rim Ventilation Design, 3 speed + intensive, electronic, LED lights.			Stainless steel	D57MH56N0B
N 30	53cm	3 speeds + intensive, LED lights.			Metallic silver	D5655X1GB
N 30	53cm	3 speed, LED lights, Quick fix system, Slider switch.			Metallic silver	D51NAA1C0B
N 50	52cm	Rim Ventilation Design, 3 speed + intensive, electronic, LED lights.			Stainless steel	D55MH56N0B

Your Guide to Control Types



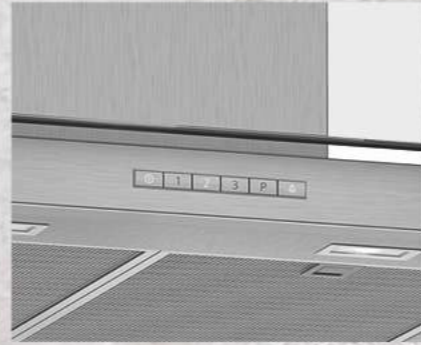
Home Connect

Compatible with Amazon Alexa and Google Assistant.



Touch Control

Featured on selected models in the N90, N70 and N50 Collections. Touch Control flawlessly complements our ovens and compact appliances. An LED display is also available with selected Touch Control models.



Soft Touch Control

Available across selected models within the N70 and N50 Collection, our Soft Touch Control hoods allow for greater control over power levels. Selected models also feature a white LCD screen.



Push Button

Our classic hoods feature simple, sleek and easy to use push button controls. Available across selected models in the N30 Collection.



Remote Control

Available across all Ceiling Hood models.



Rotary Switch Control

Featured on selected Canopy Hood models within our N70 Collection, our Rotary Switch Control features a pop-out dial with 3 levels of power to choose from. When not in use the dial can be neatly popped back into place.

Rocker or Slider Switch Control

Available on our N30 Telescopic and Canopy models, our rocker or slider switch control offers a simple and straight forward setting navigation that's neatly concealed within the hood furniture.



Key Functions Guide

Features



HOME CONNECT

Control all functions and settings of your hood directly from your smart phone and voice control for the ultimate connected cooking experience.



HOB HOOD CONTROL

Being able to control the hood directly from the hob means the hood turns on when you start cooking and, in automatic mode, can automatically regulate the power level for the best performance with the lowest noise – it also means you no longer need to worry about adjusting the hood and you can focus on your cooking.



CLIMATE CONTROL

Detects the amount of steam and smells using a sensor attached to the motor and automatically sets the most effective power level to extract it.

AMBIENT LIGHT

Illuminates your kitchen in the light that suits the occasion best. Choose from 31 colours to change how your kitchen looks and, most importantly, how it makes you feel.



EFFICIENT DRIVE MOTOR

Save energy and enjoy a noise free, illuminated kitchen environment thanks to our ultra-efficient high-speed extractor hood fan, with Efficient Drive motor technology and LED lights.



NEFF SILENCE BUTTON

The unique noise reduction function reduces the fan noise by a couple of decibels, ensuring that the kitchen stays quiet while you cook and entertain your guests. This function can be used at any fan setting except fan setting 1.

SATURATION INDICATORS

Take the stress out of guessing, this function will prompt you if the grease filters should be cleaned. If the hood is installed in recirculation, this will also indicate when the charcoal filters need replacing.

BOOST POSITION

For our sleek angled glass and flat hoods, receive an extra boost of extraction performance in special cooking situations, for example when frying meat or fish. The front panel can be slightly opened during cooking to a defined extraction boost position in order to increase the steam catching rate of the hood and keep your kitchen free from steam.

Functions

AUTOMATIC AFTER-RUNNING

Continues running at a low speed for 3-30 minutes before turning itself off. Perfect for keeping fresh air in the kitchen post cooking.

INTENSIVE SETTING

Boosts the extraction rate to the maximum level to cope with particularly demanding cooking conditions.

ELECTRONIC POWER LEVEL DISPLAY

The sleek display clearly shows the selected fan power level setting.

NEFF FRESH AIR

Runs an automatic air exchange programme, turning the hood onto power level one for five minutes every hour for as long as required.

AUTOMATIC REVERT

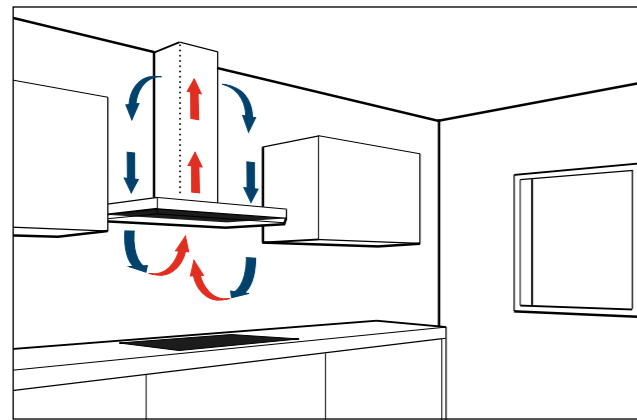
Automatically reverts the hood back to a lower power level after approximately ten minutes of being on the intensive setting.

SOFT LIGHT

Brightens or dims the lights as it's switched on or off; just press and hold to adjust the level of brightness.

Your Guide to Installation Options

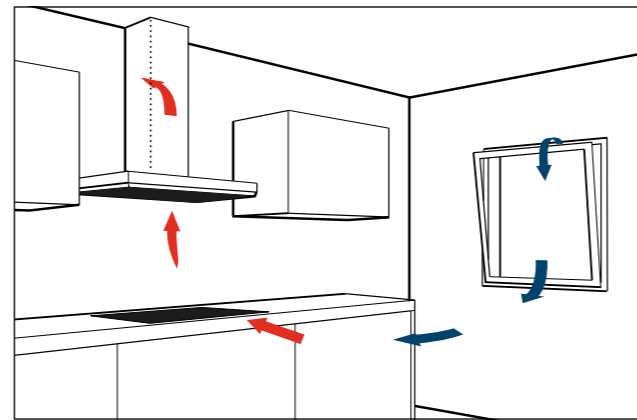
The best way to remove steam and odours is to extract the air out of the room through ducting. Unfortunately, in apartments or where the hood is too far away from an outside wall, this may not be possible. In this case, the only alternative is to recirculate the air. Stale air is sucked through a grease filter, before being purified in a charcoal filter, and then pumped back into the kitchen via an opening in the hood.



Recirculation

Recirculating

Removes between 70-95% of odours depending on filter used. Requires changing of charcoal filter on a regular basis or a longer-lasting Regenerative filter for certain models can be used.



Extraction

Ducted

Removes up to 98% of odours in an optimal installation. Requires planning of ducting (ducting to be sourced separately), however doesn't require a recirculation charcoal filter.

Use the following equation to calculate your extraction rate:

Volume of kitchen (length x width x height) eg. 4m x 3m x 2.5m = 30m³

6 x volume in normal operation and 12 x volume in intensive operation.

Please note that these are recommended estimates only to be used as a guide. This assumes a 2.5m standard ceiling height with 12 air changes per hour to match to an intensive extraction rate.

Regenerative Recirculation Filters

The new Regenerative Charcoal Filters give you a long lasting filter, thanks to a regenerative process using your oven, and can even be installed without a chimney piece if preferred. Benefit from up to 95% odour reduction when in recirculation mode.

Identify your extraction rate

Your extractor needs to circulate the air in the room 6 times in normal operation, 12 times in intensive operation, per hour. Use the below to help identify the required extraction rate which can then be used to select the appropriate extractor.

	2.5m	3m	3.5m	4m	4.5m	5m
2.5m	16m ³					
3m	19m ³	23m ³				
3.5m	22m ³	26m ³	31m ³			
4m	25m ³	30m ³	35m ³	40m ³		
4.5m	28m ³	34m ³	39m ³	45m ³	51m ³	
5m	31m ³	38m ³	44m ³	50m ³	56m ³	63m ³

Recirculation Filters

We offer a range of recirculation filters that are available depending on the model of hood you choose. Featuring powerful odour reduction rates and performance benefits, our new regenerative filters can last up to 10 years and are regenerated through a heating process in the oven every 4 months.

TYPE :	Standard Odour Filter	Cleanair Plus Filter	Long Life Regenerative Filter
ODOUR REDUCTION	Up to 85%	Up to 95%	Up to 95% (Up to 86% if installed without a chimney)
RECOMMENDED EXCHANGE	Approx. 2 times per year	Approx. once per year	Approx. once every 10 years
KEY BENEFITS	<ul style="list-style-type: none"> Simple installation Anti-fish treatment 	<ul style="list-style-type: none"> Up to 3dB (A) sound reduction Better extraction performance Anti-fish treatment Removes over 99% of all pollen 	<ul style="list-style-type: none"> Up to 3dB (A) sound reduction Regenerated in the oven every 4 months recommended (2 hours 200°C) Better extraction performance
INSTALLATION	Behind grease filter, inside the hood	Extra module attached to hood chimney (stainless steel) New Chimney Hoods: Integrated plastic module fitted inside the chimney piece	Extra module (as per CleanAir filter) onto chimney or inside chimney. 'Chimless' installation possible (Angled and Flat only)
INSTALLATION WITHOUT CHIMNEY POSSIBLE?	Yes (Angled and Flat only)	Yes (Angled and Flat only)	Yes (Angled and Flat only)

CleanAir Plus and Regenerative filters not available for all styles of hood. Additional module may be required to house the filter. Images for example only, different filters may come in a different size and style.

Installation

The following points should be observed for optimum ducted extraction results and low noise:

1. Ensure any pipe elbow bends are at least 30cm from the hood ducting opening.
2. Avoid reducing the diameter or area of the ducting.
3. Use wide-angled pipe elbows, but keep the number used to a minimum.
4. Only install pipes with smooth, even inner surfaces. If a flexible hose has to be used, ensure it is pulled tight to smooth out the ridges before fixing.
5. Use ducting pipes with a diameter of at least 120mm, but ideally 150mm.
6. Keep piping to a minimum – use the most direct route to an external outlet.
7. Make sure that there is an adequate supply of fresh air to replace the air ducting out of the kitchen, i.e. windows that can be opened, doors to adjacent rooms, air bricks. Problems with installation may occur if points 1-7 are not observed.

Easy Mounting System

Thanks to an easy wall-mounting system, selected hoods can be installed quickly and securely by one person. Rotating offset 'cam' fixings make it possible for positional adjustments of up to 6mm, helping to get the hood level and stable. (Not available on all our hoods.)

Worktop Installation

New accessories
Z92WWJ12
Z92WWI1X7
Z92WWY9X2
Z92WWM11



I98WMM1S1B



HOOD TYPE	GLASS DRAFT
MODEL	I98WMM1S1B
COLLECTION	N 90
Colour	Stainless Steel & Black Glass
SPECIAL FEATURES	
Home Connect	•
Hob Hood control	•
Efficient Drive	•
Intensive setting / Automatic intensive revert ¹	• / •
Filter saturation indicator	•
FEATURES	
Suitable for ducted operation / recirculating	• / •
Power levels	3 + 2 Intensive
Automatic after running	10 minutes
Number of metal grease filter cassettes	2
Type of control	Touch Control
OPTIONAL ACCESSORIES²	
Long life recirculation kit (2 year regenerative)	•
Remote motor installation mounting kit	•
PERFORMANCE / TECHNICAL INFORMATION	
Appliance width	mm 918
Extraction Rate in m³/h^{3,4}	
Power level 1 - ducted / recirculating	260 / 230
Power level 2 - ducted / recirculating	428 / 410
Power level 3 - ducted / recirculating	530 / 452
Intensive level 1 - ducted / recirculating	630 / 482
Intensive level 2 - ducted / recirculating	750 / 500
Noise level (sound power) based on dB(A) re 1 pW^{3,5}	
Power level 1 - ducted / recirculating	43 / 37
Power level 2 - ducted / recirculating	58 / 70
Power level 3 - ducted / recirculating	62 / 72
Intensive level 1 - ducted / recirculating	66 / 74
Intensive level 2 - ducted / recirculating	67 / 75
Pipe outlet diameter	mm 150
Minimum distance above an electric hob / gas hob ⁶	mm
GB plug	•
Energy Rating	A



THE NEFF OVEN COLLECTIONS

HOB'S

VENTILATION

REFRIGERATION

DISHWASHING

LAUNDRY

¹Power automatically reverts back to normal setting after intensive. ²A type of recirculating kit is required if recirculating. ³Air Flow and noise declarations made in line with CECEC Code of Conduct. ⁴Measured according to EN61591 on largest pipe diameter. ⁵Sound power measured according to EN60704-3 on largest pipe diameter. ⁶From top of pan supports. Depending on the model a 'Recirculating odour filter kit' will consist of the following items: Charcoal filter, flexible hose, air duct, fixing components, installation instructions.

Ceiling Installation Hoods



HOOD TYPE	CEILING	CEILING	CEILING	CEILING FLAT MOTOR
MODEL	I97CPS8W5B	I25CBS8W0B	I95CBS8W0B	I94CAQ6N0B
COLLECTION	N 90	N 70	N 70	N 50
Colour	White & White Glass	White & White Glass	White & White Glass	Stainless Steel
SPECIAL FEATURES				
Home Connect	•	•	•	•
Adjustable LED white colour temperature	•			
Ambient light				
Climate control sensor	•	•	•	
Hob Hood control	•	•	•	
Reduced size motor				Flat
Efficient Drive	•	•	•	•
Intensive setting / Automatic intensive revert ¹	• / •	• / •	• / •	• / •
Boost position (Angled & Flat Hoods)				
NEFF Silence function	•	•	•	•
Filter saturation indicator	•	•	•	•
FEATURES				
Suitable for ducted operation / recirculating	• / •	• / •	• / •	• / •
Electronic power level display				
Power levels	3 + 2 Intensive	3 + 2 Intensive	3 + 2 Intensive	3 + 2 Intensive
NEFF Fresh Air (Interval operation)	•	•	•	•
Automatic after running	minutes 10	10	10	10
Lighting	4 x LED lights	4 x LED lights	4 x LED lights	4 x LED lights
Softlight with dimmer function	•	•	•	•
Number of metal grease filter cassettes	2	2	2	2
Type of control	Remote Control	Remote Control	Remote Control	Remote Control
OPTIONAL ACCESSORIES²				
Recirculation filter kit				
CleanAir recirculating flat module (Stainless Steel)				Z52JXC1N1
CleanAir recirculating flat module (White)				Z52JXC1W1
CleanAir plus recirculating module (Stainless Steel)	Z52JCC1N6	Z52JCC1N6	Z52JCC1N6	
CleanAir plus recirculating module (White)	Z52JCC1W6	Z52JCC1W6	Z52JCC1W6	
Long life regenerative recirculation module (Stainless Steel)	Z52JCD0N0	Z52JCD0N0	Z52JCD0N0	
Long life regenerative recirculation module (White)	Z52JCD0W0	Z52JCD0W0	Z52JCD0W0	
PERFORMANCE / TECHNICAL INFORMATION				
Appliance width	mm 900	1200	900	900
Extraction Rate in m³/h^{3,4}				
Power level 1 ducted / recirculating	265 / 197	265 / 200	265 / 200	252 / 198
Power level 2 ducted / recirculating	331 / 313	335 / 316	335 / 316	336 / 257
Power level 3 ducted / recirculating	458 / 419	458 / 422	458 / 422	434 / 336
Intensive level 1 ducted / recirculating	672 / 537	594 / 513	594 / 513	581 / 466
Intensive level 2 ducted / recirculating	933 / 637	798 / 565	798 / 565	734 / 574
Noise level (sound power) based on dB(A) re 1 pW^{3,5}				
Power level 1 ducted / recirculating	41 / 47	41 / 46	41 / 46	47 / 48
Power level 2 ducted / recirculating	47 / 56	47 / 57	47 / 57	55 / 55
Power level 3 ducted / recirculating	56 / 63	56 / 63	56 / 63	61 / 61
Intensive level 1 ducted / recirculating	64 / 68	62 / 67	62 / 67	68 / 71
Intensive level 2 ducted / recirculating	70 / 72	68 / 69	68 / 69	72 / 74
Pipe outlet diameter	mm 150	150	150	150
Minimum distance above an electric hob / gas hob ⁶	mm 650 / 650	650 / 650	650 / 650	650 / 650
GB plug	•	•	•	•
Energy Rating	A	A	A	A

CEILING	CEILING	CEILING COMPACT MOTOR	CEILING PLUG & PLAY
I95CAQ6N0B	I95CAQ6W0B	I95CAP6N1B	I14RBQ8W0
N 50	N 50	N 50	N 70
Stainless Steel	White	Stainless Steel	White & White Glass
FEATURES			
•	•		•
•	•		•
•	•	Compact	•
• / •	• / •	• / •	• / •
•	•		•
•	•		•
• / •	• / •	• / •	• / •
3 + 2 Intensive	3 + 2 Intensive	3 + 1 Intensive	3 + 2 Intensive
•	•	•	•
10	10	10	10
4 x LED lights	4 x LED lights	4 x LED lights	4 x LED strips
•	•	•	•
2	2	2	3
Remote Control	Remote Control	Remote Control	Remote Control
Filters Included			
		Z52JXC1N1 Z52JXC1W1	
Z52JCC1N6	Z52JCC1N6		
Z52JCC1W6	Z52JCC1W6		
Z52JCD0N0	Z52JCD0N0		
Z52JCD0W0	Z52JCD0W0		
PERFORMANCE / TECHNICAL INFORMATION			
900	900	900	1050
265 / 200	265 / 200	190 / 167	/ 164
335 / 316	335 / 316	265 / 221	/ 322
458 / 422	458 / 422	400 / 423	/ 409
594 / 513	594 / 513	594 / 513	/ 502
798 / 565	798 / 565	690 / 588	/ 580
41 / 46	41 / 46	48 / 50	/ 43
47 / 57	47 / 57	55 / 58	/ 62
56 / 63	56 / 63	65 / 69	/ 68
62 / 67	62 / 67		/ 73
68 / 69	68 / 69	73 / 74	/ 76
150	150	150	
650 / 650	650 / 650	650 / 900	650 / 650
•	•	•	
A	A	B	

¹Power automatically reverts back to normal setting after intensive. ²A type of recirculating kit is required if recirculating. ³Air Flow and noise declarations made in line with CECEC Code of Conduct. ⁴Measured according to EN61591 on largest pipe diameter. ⁵Sound power measured according to EN60704-3 on largest pipe diameter. From top of pan supports. Depending on the model. ⁶A 'Recirculating odour filter kit' will consist of the following items: Charcoal filter, flexible hose, air duct, fixing components, installation instructions.

Island Hoods



I96BMV5N5B Home Connect

I96BMP5N0B

I95GBE2N0B

HOOD TYPE	ISLAND	ISLAND	ISLAND
MODEL	I96BMV5N5B	I96BMP5N0B	I95GBE2N0B
COLLECTION	N 90	N 70	N 50
Colour	Stainless Steel	Stainless Steel	Stainless Steel & Glass
SPECIAL FEATURES			
Home Connect	•		
Adjustable LED white colour temperature	•		
Ambient light			
Climate control sensor	•		
Hob Hood control	•		
Efficient Drive	•	•	
Intensive setting / Automatic intensive revert ¹	• / •	• / •	• / •
Boost position (Angled & Flat Hoods)			
NEFF Silence function	•	•	
Filter saturation indicator	•	•	
FEATURES			
Suitable for ducted operation / recirculating	• / •	• / •	• / •
Electronic power level display	•	•	
Power levels	3 + 2 Intensive	3 + 2 Intensive	3 + 1 Intensive
NEFF Fresh Air (Interval operation)	•	•	
Automatic after running minutes	10	10	
Lighting	4 x LED lights	4 x LED lights	4 x LED lights
Softlight with dimmer function	•	•	
Number of metal grease filter cassettes	3	3	
Type of control	Touch Control	Touch Control	Soft Touch
OPTIONAL ACCESSORIES²			
Standard recirculation kit ²	Z5106X5	Z5106X5	Z52CG1X4
CleanAir plus external recirculation module (Stainless Steel)	Z52XC2N6	Z52XC2N6	Z52CXC1N6
Long life external recirculation module (Stainless Steel)	Z52CBD2X1	Z52CBD2X1	
PERFORMANCE / TECHNICAL INFORMATION			
Appliance width mm	900	900	900
Extraction Rate in m³ / h^{3,4}			
Power level 1 ducted / recirculating	281 / 171	281 / 171	243 / 173
Power level 2 ducted / recirculating	361 / 266	361 / 266	328 / 253
Power level 3 ducted / recirculating	445 / 313	445 / 313	429 / 315
Intensive level 1 ducted / recirculating	657 / 364	657 / 364	732 / 384
Intensive level 2 ducted / recirculating	867 / 391	867 / 391	
Noise level (sound power) based on dB(A) re 1 pW^{3,5}			
Power level 1 ducted / recirculating	44 / 59	44 / 59	47 / 62
Power level 2 ducted / recirculating	49 / 68	49 / 68	54 / 69
Power level 3 ducted / recirculating	54 / 71	54 / 71	60 / 73
Intensive level 1 ducted / recirculating	63 / 73	63 / 73	71 / 77
Intensive level 2 ducted / recirculating	69 / 74	69 / 74	
Pipe outlet diameter mm	150 / 120	150 / 120	150 / 120
Minimum distance above an electric hob / gas hob ⁶ mm	550 / 650	550 / 650	550 / 650
GB plug	•	•	•
Energy Rating	A	A+	B

Wall Installation Hood



I95GBE2N0B

HOOD TYPE	CREATIVE SLIM
MODEL	D95FRM1S0B
COLLECTION	N 70
Colour	Creative Black Glass
SPECIAL FEATURES	
Home Connect	
Adjustable LED white colour temperature	
Ambient light	
Climate control sensor	
Hob Hood control	
Efficient Drive	•
Intensive setting / Automatic intensive revert ¹	• / •
Boost position (Angled & Flat Hoods)	•
NEFF Silence function	
Filter saturation indicator	
FEATURES	
Suitable for ducted operation / recirculating	• / •
Electronic power level display	
Power levels	3 + 1 Intensive
NEFF Fresh Air (Interval operation)	
Automatic after running minutes	
Lighting	2 x LED lights
Softlight with dimmer function	
Number of metal grease filter cassettes	2
Type of control	Touch Control
OPTIONAL ACCESSORIES²	
Standard recirculation kit	Z51AFU0X0
Standard recirculation kit (chimless installation)	Z51AFT0X0
CleanAir Plus Anti-Pollen Recirculation Kit	Z51AII1X6
CleanAir Plus Anti-Pollen Recirculation Kit (Chimless Installation)	Z51AIV1X6
Long life regenerative recirculation kit	Z51AFS0X0
Long life regenerative integrated recirculation kit	
Long life regenerative recirculation kit (chimless installation)	Z51AFR0X0
Black chimney	Z91AXE1S1
PERFORMANCE / TECHNICAL INFORMATION	
Appliance width mm	890
Extraction Rate in m³/h^{3,4}	
Power level 1 ducted / recirculating	231 / 125
Power level 2 ducted / recirculating	331 / 214
Power level 3 ducted / recirculating	404 / 288
Intensive level 1 ducted / recirculating	739 / 510
Intensive level 2 ducted / recirculating	
Noise level (sound power) based on dB(A) re 1 pW^{3,5}	
Power level 1 ducted / recirculating	44 / 48
Power level 2 ducted / recirculating	53 / 58
Power level 3 ducted / recirculating	58 / 63
Intensive level 1 ducted / recirculating	71 / 73
Intensive level 2 ducted / recirculating	
Pipe outlet diameter mm	150/120
Minimum distance above an electric hob / gas hob ⁶ mm	450 / Not suitable
GB plug	•
Energy Rating	A

¹Power automatically reverts back to normal setting after intensive. ²A type of recirculating kit is required if recirculating. ³Air Flow and noise declarations made in line with CECEC Code of Conduct. ⁴Measured according to EN61591 on largest pipe diameter. ⁵Sound power measured according to EN60704-3 on largest pipe diameter. ⁶From top of pan supports. Depending on the model, a 'Recirculating odour filter kit' will consist of the following items: Charcoal filter, flexible hose, air duct, fixing components, installation instructions.

¹Power automatically reverts back to normal setting after intensive. ²A type of recirculating kit is required if recirculating. ³Air Flow and noise declarations made in line with CECEC Code of Conduct. ⁴Measured according to EN61591 on largest pipe diameter. ⁵Sound power measured according to EN60704-3 on largest pipe diameter. ⁶From top of pan supports. Depending on the model, a 'Recirculating odour filter kit' will consist of the following items: Charcoal filter, flexible hose, air duct, fixing components, installation instructions.

Wall Installation Hoods



HOOD TYPE	ANGLED	ANGLED	ANGLED
MODEL	D96IKW1S0B	D95IHM1S2B	D65IHM1S2B
COLLECTION	N 90	N 50	N 50
Colour	Black glass	Black glass with black Chinmey	Black glass with black Chinmey
SPECIAL FEATURES			
Home Connect	●		
Adjustable LED white colour temperature			
Ambient light	●		
Climate control sensor	●		
Hob Hood control	●		
Efficient Drive	●		
Intensive setting / Automatic intensive revert ¹	●/●	●/●	●/●
Boost position (Angled & Flat Hoods)	●		
NEFF Silence function	●		
Filter saturation indicator	●		
FEATURES			
Suitable for ducted operation / recirculating	●/●	●/●	●/●
Electronic power level display	●		
Power levels	3 + 2 Intensive	3 + 1 Intensive	3 + 1 Intensive
NEFF Fresh Air (Interval operation)	●		
Automatic after running	minutes 10		
Lighting	2 x LED lights	2 x LED lights	2 x LED lights
Softlight with dimmer function	●		
Number of metal grease filter cassettes	2	2	2
Type of control	Touch Control	Touch Control	Touch Control
OPTIONAL ACCESSORIES ²			
Standard recirculation kit	Z51AIU0X0	Z51AIU0X0	Z51AIU0X0
Standard recirculation kit (chimless installation)	Z51AIT0X0	Z51AIT0X0	Z51AIT0X0
CleanAir Plus Anti-Pollen Recirculation Kit	Z51AI1X6	Z51AI1X6	Z51AI1X6
CleanAir Plus Anti-Pollen Recirculation Kit (Chimless Installation)	Z51AIV1X6	Z51AIV1X6	Z51AIV1X6
Long life regenerative recirculation kit	Z51AIS0X0	Z51AIS0X0	Z51AIS0X0
Long life regenerative integrated recirculation kit			
Long life regenerative recirculation kit (chimless installation)	Z51AIR0X0	Z51AIR0X0	Z51AIR0X0
Black chimney	Z91AXE1S1	Z91AXE1S1	Z91AXE1S1
PERFORMANCE / TECHNICAL INFORMATION			
Appliance width	mm 890	890	590
Extraction Rate in m³/h ^{3,4}			
Power level 1 ducted / recirculating	293 / 192	253 / 218	253 / 218
Power level 2 ducted / recirculating	342 / 317	332 / 293	332 / 293
Power level 3 ducted / recirculating	467 / 430	416 / 388	416 / 388
Intensive level 1 ducted / recirculating	612 / 525	700 / 557	700 / 557
Intensive level 2 ducted / recirculating	837 / 583		
Noise level (sound power) based on dB(A) re 1 pW ^{3,5}			
Power level 1 ducted / recirculating	43 / 50	48 / 55	48 / 55
Power level 2 ducted / recirculating	47 / 60	53 / 60	53 / 60
Power level 3 ducted / recirculating	55 / 67	58 / 66	58 / 66
Intensive level 1 ducted / recirculating	61 / 72	67 / 75	67 / 75
Intensive level 2 ducted / recirculating	67 / 75		
Pipe outlet diameter	mm 150 / 120	150/120	150/120
Minimum distance above an electric hob / gas hob ⁶	mm 450 / 600	450 / 600	450 / 600
GB plug	●	●	●
Energy Rating	A+	B	B

ANGLED	ANGLED	ANGLED	ANGLED
MODEL	D95IHM1S0B	D65IHM1S0B	D85IEE1S0B
COLLECTION	N 50	N 50	N 30
Colour	Black glass	Black glass	Stainless steel & black glass
SPECIAL FEATURES			
Home Connect			
Adjustable LED white colour temperature			
Ambient light			
Climate control sensor			
Hob Hood control			
Efficient Drive			
Intensive setting / Automatic intensive revert ¹	●/●	●/●	●/●
Boost position (Angled & Flat Hoods)			
NEFF Silence function			
Filter saturation indicator			
FEATURES			
Suitable for ducted operation / recirculating	●/●	●/●	●/●
Electronic power level display			
Power levels	3 + 1 Intensive	3 + 1 Intensive	3 + 1 Intensive
NEFF Fresh Air (Interval operation)			
Automatic after running	minutes		
Lighting	2 x LED lights	2 x LED lights	2 x LED lights
Softlight with dimmer function			
Number of metal grease filter cassettes	2	2	2
Type of control	Touch Control	Touch Control	Touch Control
OPTIONAL ACCESSORIES ²			
Standard recirculation kit	Z51AIU0X0	Z51AIU0X0	Z51EIU1X1
Standard recirculation kit (chimless installation)	Z51AIT0X0	Z51AIT0X0	Z51EIU1X1
CleanAir Plus Anti-Pollen Recirculation Kit	Z51AI1X6	Z51AI1X6	
CleanAir Plus Anti-Pollen Recirculation Kit (Chimless Installation)	Z51AIV1X6	Z51AIV1X6	
Long life regenerative recirculation kit	Z51AIS0X0	Z51AIS0X0	
Long life regenerative integrated recirculation kit			Z51FXJ0X0
Long life regenerative recirculation kit (chimless installation)	Z51AIR0X0	Z51AIR0X0	Z51FXJ0X0
Black chimney	Z91AXE1S1	Z91AXE1S1	
PERFORMANCE / TECHNICAL INFORMATION			
Appliance width	mm 890	590	800
Extraction Rate in m³/h ^{3,4}			
Power level 1 ducted / recirculating	253 / 218	253 / 218	245 / 189
Power level 2 ducted / recirculating	332 / 293	332 / 293	320 / 260
Power level 3 ducted / recirculating	416 / 388	416 / 388	399 / 320
Intensive level 1 ducted / recirculating	700 / 557	700 / 557	669 / 398
Intensive level 2 ducted / recirculating			
Noise level (sound power) based on dB(A) re 1 pW ^{3,5}			
Power level 1 ducted / recirculating	48 / 55	48 / 55	48 / 58
Power level 2 ducted / recirculating	53 / 60	53 / 60	55 / 65
Power level 3 ducted / recirculating	58 / 66	58 / 66	60 / 69
Intensive level 1 ducted / recirculating	67 / 75	67 / 75	69 / 76
Intensive level 2 ducted / recirculating			
Pipe outlet diameter	mm 150 / 120	150 / 120	150 / 120
Minimum distance above an electric hob / gas hob ⁶	mm 450 / 600	450 / 600	450 / 600
GB plug	●	●	●
Energy Rating	B	B	B

¹Power automatically reverts back to normal setting after intensive. ²A type of recirculating kit is required if recirculating. ³Air Flow and noise declarations made in line with CECEC Code of Conduct. ⁴Measured according to EN61591 on largest pipe diameter. ⁵Sound power measured according to EN60704-3 on largest pipe diameter. ⁶From top of pan supports. Depending on the model a 'Recirculating odour filter kit' will consist of the following items: Charcoal filter, flexible hose, air duct, fixing components, installation instructions.

Glass Chimney Hoods



D94AFM1N0B

D64AFM1N0B

D94ABC0N0B



D64ABC0N0B

D94GBC0N0B

D64GBC0N0B

HOOD TYPE	CURVED GLASS	CURVED GLASS	CURVED GLASS
90 CM MODEL	D94AFM1N0B	D64AFM1N0B	D94ABC0N0B
60CM MODEL			
COLLECTION	N 50	N 50	N 30
Colour	Stainless Steel & Glass	Stainless Steel & Glass	Stainless Steel & Glass
SPECIAL FEATURES			
Home Connect			
Adjustable LED white colour temperature			
Ambient light			
Climate control sensor			
Hob Hood control			
Efficient Drive			
Intensive setting / Automatic intensive revert ¹	● / ●	● / ●	
Boost position (Angled & Flat Hoods)			
NEFF Silence function			
Filter saturation indicator			
FEATURES			
Suitable for ducted operation / recirculating	● / ●	● / ●	● / ●
Electronic power level display			
Power levels	3 + 1 Intensive	3 + 1 Intensive	3
NEFF Fresh Air (Interval operation)			
Automatic after running minutes			
Lighting	2 x LED lights	2 x LED lights	2 x LED lights
Softlight with dimmer function			
Number of metal grease filter cassettes	2	1	2
Type of control	Touch Control	Touch Control	Push Buttons
OPTIONAL ACCESSORIES ²			
Standard recirculation kit	Z51DXU0X0	Z51DXU0X0	Z51DXU0X0
CleanAir plus external recirculation module (Stainless Steel)	Z51FXC1N6	Z51FXC1N6	Z51FXC1N6
CleanAir plus integrated recirculation kit	Z51DXI1X6	Z51DXI1X6	Z51DXI1X6
Long life regenerative integrated recirculation kit	Z51FXJ0X0	Z51FXJ0X0	Z51FXJ0X0
PERFORMANCE / TECHNICAL INFORMATION			
Appliance width mm	900	600	900
Extraction rate in m³/h ^{3,4}			
Power level 1 - ducted / recirculating	234 / 164	239 / 173	241 / 163
Power level 2 - ducted / recirculating	303 / 236	306 / 250	309 / 234
Power level 3 - ducted / recirculating	371 / 292	400 / 303	612 / 351
Intensive level 1 - ducted / recirculating	610 / 355	615 / 361	
Intensive level 2 - ducted / recirculating			
Noise level (sound power) based on db(a) re 1 pw ^{3,5}			
Power level 1 - ducted / recirculating	48 / 60	48 / 59	48 / 60
Power level 2 - ducted / recirculating	55 / 68	54 / 67	54 / 68
Power level 3 - ducted / recirculating	61 / 72	59 / 71	69 / 75
Intensive level 1 - ducted / recirculating	69 / 75	69 / 75	
Intensive level 2 - ducted / recirculating			
Pipe outlet diameter mm	150	120	150
Minimum distance above an electric hob / gas hob ⁶ mm	550	650	550
Gb plug	●	●	●
Energy rating	B	B	B

CURVED GLASS	STRAIGHT GLASS	STRAIGHT GLASS
D64ABC0N0B	D94GBC0N0B	D64GBC0N0B
N 30	N 30	N 30
Stainless Steel & Glass	Stainless Steel & Glass	Stainless Steel & Glass
SPECIAL FEATURES		
Home Connect		
Adjustable LED white colour temperature		
Ambient light		
Climate control sensor		
Hob Hood control		
Efficient Drive		
Intensive setting / Automatic intensive revert ¹	● / ●	● / ●
Boost position (Angled & Flat Hoods)		
NEFF Silence function		
Filter saturation indicator		
FEATURES		
Suitable for ducted operation / recirculating	● / ●	● / ●
Electronic power level display		
Power levels	3	3
NEFF Fresh Air (Interval operation)		
Automatic after running minutes		
Lighting	2 x LED lights	2 x LED lights
Softlight with dimmer function		
Number of metal grease filter cassettes	1	2
Type of control	Push Buttons	Push Buttons
OPTIONAL ACCESSORIES ²		
Standard recirculation kit	Z51DXU0X0	Z51DXU0X0
CleanAir plus external recirculation module (Stainless Steel)	Z51FXC1N6	Z51FXC1N6
CleanAir plus integrated recirculation kit	Z51DXI1X6	Z51DXI1X6
Long life regenerative integrated recirculation kit	Z51FXJ0X0	Z51FXJ0X0
PERFORMANCE / TECHNICAL INFORMATION		
Appliance width mm	600	900
Extraction rate in m³/h ^{3,4}		
Power level 1 - ducted / recirculating	241 / 172	261 / 181
Power level 2 - ducted / recirculating	309 / 245	326 / 252
Power level 3 - ducted / recirculating	612 / 365	650 / 361
Intensive level 1 - ducted / recirculating		
Intensive level 2 - ducted / recirculating		
Noise level (sound power) based on db(a) re 1 pw ^{3,5}		
Power level 1 - ducted / recirculating	46 / 60	48 / 60
Power level 2 - ducted / recirculating	53 / 67	55 / 67
Power level 3 - ducted / recirculating	68 / 75	69 / 76
Intensive level 1 - ducted / recirculating		
Intensive level 2 - ducted / recirculating		
Pipe outlet diameter mm	120	150
Minimum distance above an electric hob / gas hob ⁶ mm	650	550
Gb plug	●	●
Energy rating	B	A

¹Power automatically reverts back to normal setting after intensive. ²A type of recirculating kit is required if recirculating. ³Air Flow and noise declarations made in line with CECEC Code of Conduct. ⁴Measured according to EN61591 on largest pipe diameter. ⁵Sound power measured according to EN60704-3 on largest pipe diameter. ⁶From top of pan supports. Depending on the model a 'Recirculating odour filter kit' will consist of the following items: Charcoal filter, flexible hose, air duct, fixing components, installation instructions.

Box Chimney Hoods



D96BMV5N5B Home Connect



D65BMP5N0B



D95BMP5N0B



D64BHM1N0B



D62BBC0N0B



D94BHM1N0B



D92BBC0N0B

HOOD TYPE	BOX CHIMNEY	BOX CHIMNEY	BOX CHIMNEY
90 CM MODEL	D96BMV5N5B	D95BMP5N0B	D65BMP5N0B
60CM MODEL COLLECTION	N 90	N 70	D65BMP5N0B N 70
Colour	Stainless steel	Stainless steel	Stainless steel
SPECIAL FEATURES			
Home Connect	•		
Adjustable LED white colour temperature	•		
Ambient light			
Climate control sensor	•		
Hob Hood control	•		
Efficient Drive	•		
Intensive setting / Automatic intensive revert ¹	• / •	• / •	• / •
Boost position (Angled & Flat Hoods)			
NEFF Silence function	•	•	•
Filter saturation indicator	•	•	•
FEATURES			
Suitable for ducted operation/recirculating	• / •	• / •	• / •
Electronic power level display	•	•	•
Power levels	3 + 2 Intensive	3 + 2 Intensive	3 + 2 Intensive
NEFF Fresh Air (Interval operation)	•	•	•
Automatic after running minutes	10	10	10
Lighting	3 x LED lights	3 x LED lights	2 x LED lights
Softlight with dimmer function	•	•	•
Number of metal grease filter cassettes	3	3	2
Type of control	Touch Control	Touch Control	Touch Control
OPTIONAL ACCESSORIES²			
Standard recirculation kit	Z5102X5	Z5102X5	Z5102X5
CleanAir plus external recirculation module (Stainless Steel)	Z51CXC2N6	Z51CXC2N6	Z51CXC2N6
CleanAir plus integrated recirculation kit	Z51CXI1X6	Z51CXI1X6	Z51CXI1X6
Long life regenerative integrated recirculation kit	Z51FXJ0X5	Z51FXJ0X5	Z51FXJ0X5
PERFORMANCE / TECHNICAL INFORMATION			
Appliance width mm	900	900	600
Extraction Rate in m³/h^{3,4}			
Power level 1 ducted / recirculating	273 / 168	289 / 168	247 / 159
Power level 2 ducted / recirculating	347 / 265	340 / 266	327 / 237
Power level 3 ducted / recirculating	430 / 311	427 / 324	413 / 281
Intensive level 1 ducted / recirculating	637 / 359	525 / 352	503 / 299
Intensive level 2 ducted / recirculating	843 / 385	702 / 378	657 / 322
Noise level (sound power) based on dB(A) re 1 pW^{3,5}			
Power level 1 ducted / recirculating	46 / 58	45 / 55	46 / 59
Power level 2 ducted / recirculating	51 / 66	50 / 65	55 / 68
Power level 3 ducted / recirculating	55 / 69	55 / 70	61 / 72
Intensive level 1 ducted / recirculating	64 / 72	60 / 72	66 / 74
Intensive level 2 ducted / recirculating	69 / 74	66 / 73	71 / 75
Pipe outlet diameter mm	150 / 120	150 / 120	150 / 120
Minimum distance above an electric hob / gas hob ⁶ mm	550 / 650	550 / 650	550 / 650
GB plug	•	•	•
Energy Rating	A+	A	A

BOX CHIMNEY	BOX CHIMNEY	BOX CHIMNEY	BOX CHIMNEY
D94BHM1N0B	D64BHM1N0B	D92BBC0N0B	D62BBC0N0B
N 50	D64BHM1N0B N 50	N 30	D62BBC0N0B N 30
Stainless steel	Stainless steel	Stainless steel	Stainless steel
SPECIAL FEATURES			
Home Connect			
Adjustable LED white colour temperature			
Ambient light			
Climate control sensor			
Hob Hood control			
Efficient Drive			
Intensive setting / Automatic intensive revert ¹	•		
Boost position (Angled & Flat Hoods)			
NEFF Silence function			
Filter saturation indicator			
FEATURES			
Suitable for ducted operation/recirculating	•	•	•
Electronic power level display			
Power levels	3 + 1 Intensive	3 + 1 Intensive	3
NEFF Fresh Air (Interval operation)			
Automatic after running minutes			
Lighting	2 x LED lights	2 x LED lights	2 x LED lights
Softlight with dimmer function			
Number of metal grease filter cassettes	3	2	3
Type of control	Touch Control	Touch Control	Push Buttons
OPTIONAL ACCESSORIES²			
Standard recirculation kit	Z51DXU0X0	Z51DXU0X0	Z51DXU0X0
CleanAir plus external recirculation module (Stainless Steel)	Z51FXC1N6	Z51FXC1N6	Z51FXC1N6
CleanAir plus integrated recirculation kit	Z51DXI1X6	Z51DXI1X6	Z51DXI1X6
Long life regenerative integrated recirculation kit	Z51FXJ0X0	Z51FXJ0X0	Z51FXJ0X0
PERFORMANCE / TECHNICAL INFORMATION			
Appliance width mm	900	600	900
Extraction Rate in m³/h^{3,4}			
Power level 1 ducted / recirculating	222 / 147	238 / 150	198 / 120
Power level 2 ducted / recirculating	293 / 228	302 / 220	263 / 162
Power level 3 ducted / recirculating	372 / 290	368 / 281	365 / 195
Intensive level 1 ducted / recirculating	604 / 360	605 / 348	
Noise level (sound power) based on dB(A) re 1 pW^{3,5}			
Power level 1 ducted / recirculating	48 / 57	48 / 57	49 / 55
Power level 2 ducted / recirculating	54 / 66	54 / 66	57 / 61
Power level 3 ducted / recirculating	60 / 71	60 / 71	64 / 66
Intensive level 1 ducted / recirculating	70 / 75	69 / 75	
Intensive level 2 ducted / recirculating			
Pipe outlet diameter mm	150 / 120	150 / 120	150 / 120
Minimum distance above an electric hob / gas hob ⁶ mm	550 / 650	550 / 650	550 / 650
GB plug	•	•	•
Energy Rating	B	B	D

¹Power automatically reverts back to normal setting after intensive. ²A type of recirculating kit is required if recirculating. ³Air Flow and noise declarations made in line with CECEC Code of Conduct. ⁴Measured according to EN61591 on largest pipe diameter. ⁵Sound power measured according to EN60704-3 on largest pipe diameter. ⁶From top of pan supports. Depending on the model, a Recirculating odour filter kit will consist of the following items: Charcoal filter, flexible hose, air duct, fixing components, installation instructions.

Pyramid Chimney Hoods



D64QFM1N0B



D94QFM1N0B



D62QBC0N0B



D92QBC0N0B



D72PBC0N0B



D62PBC0N0B



D92PBC0N0B

HOOD TYPE			SLIM PYRAMID		
90CM MODEL			D94QFM1N0B		
75CM MODEL			D92PBC0N0B		
60CM MODEL			D62PBC0N0B		
COLLECTION			N 50		
Colour			Stainless steel		
SPECIAL FEATURES					
Home Connect					
Adjustable LED white colour temperature					
Ambient light					
Climate control sensor					
Hob Hood control					
Efficient Drive					
Intensive setting / Automatic intensive revert ¹					
Boost position (Angled & Flat Hoods)					
NEFF Silence function					
Filter saturation indicator					
FEATURES					
Suitable for ducted operation / recirculating					
Electronic power level display					
Power levels					
NEFF Fresh Air (Interval operation)					
Automatic after running					
minutes					
Lighting					
Softlight with dimmer function					
Number of metal grease filter cassettes					
Type of control					
OPTIONAL ACCESSORIES ²					
Standard recirculation kit					
CleanAir plus external recirculation module (Stainless Steel)					
CleanAir plus integrated recirculation kit					
Long life regenerative integrated recirculation kit					
PERFORMANCE / TECHNICAL INFORMATION					
Appliance width	mm	900		600	
Extraction Rate in m ³ /h ^{3,4}					
Power level 1 ducted / recirculating					
Power level 2 ducted / recirculating					
Power level 3 ducted / recirculating					
Intensive level 1 ducted / recirculating					
Intensive level 2 ducted / recirculating					
Noise level (sound power) based on dB(A) re 1 pW ^{3,5}					
Power level 1 ducted / recirculating					
Power level 2 ducted / recirculating					
Power level 3 ducted / recirculating					
Intensive level 1 ducted / recirculating					
Intensive level 2 ducted / recirculating					
Pipe outlet diameter	mm	150 / 120			
Minimum distance above an electric hob / gas hob ⁶	mm	550 / 650			
GB plug		●			
Energy Rating		A			

SLIM PYRAMID			PYRAMID CHIMNEY			
D92QBC0N0B			D92PBC0N0B			
D62QBC0N0B			D72PBC0N0B			
N 30			N 30			
Stainless steel			Stainless steel			
PERFORMANCE / TECHNICAL INFORMATION						
Suitable for ducted operation / recirculating						
Electronic power level display						
Power levels						
NEFF Fresh Air (Interval operation)						
Automatic after running						
minutes						
Lighting						
Softlight with dimmer function						
Number of metal grease filter cassettes						
Type of control						
OPTIONAL ACCESSORIES ²						
Standard recirculation kit						
CleanAir plus external recirculation module (Stainless Steel)						
CleanAir plus integrated recirculation kit						
Long life regenerative integrated recirculation kit						
PERFORMANCE / TECHNICAL INFORMATION						
Appliance width	mm	900	600	900	750	600
Extraction Rate in m ³ /h ^{3,4}						
Power level 1 ducted / recirculating						
Power level 2 ducted / recirculating						
Power level 3 ducted / recirculating						
Intensive level 1 ducted / recirculating						
Intensive level 2 ducted / recirculating						
Noise level (sound power) based on dB(A) re 1 pW ^{3,5}						
Power level 1 ducted / recirculating						
Power level 2 ducted / recirculating						
Power level 3 ducted / recirculating						
Intensive level 1 ducted / recirculating						
Intensive level 2 ducted / recirculating						
Pipe outlet diameter	mm	150 / 120		150 / 120		
Minimum distance above an electric hob / gas hob ⁶	mm	550 / 650		550 / 650		
GB plug		●		●		
Energy Rating		D		D		

¹Power automatically reverts back to normal setting after intensive. ²A type of recirculating kit is required if recirculating. ³Air Flow and noise declarations made in line with CECEC Code of Conduct. ⁴Measured according to EN61591 on largest pipe diameter. ⁵Sound power measured according to EN60704-3 on largest pipe diameter. ⁶From top of pan supports. Depending on the model, a 'Recirculating odour filter kit' will consist of the following items: Charcoal filter, flexible hose, air duct, fixing components, installation instructions.

Telescopic Hoods



D49PU54X1B



D46ML54N1B



D49ML54N1B



D46ED22N1B



D49ED22N1B



D46BR22N1B

HOOD TYPE	TELESCOPIC		TELESCOPIC	
90CM MODEL	D49PU54X1B		D49ML54N1B	
60CM MODEL			D46ML54N1B	
COLLECTION	N 90		N 70	
Colour	Stainless steel/Black		Stainless steel	
Appliance width (mm)	900		900	600
SPECIAL FEATURES				
Home Connect				
Adjustable LED white colour temperature				
Ambient light				
Climate control sensor	●			
Hob Hood control				
Efficient Drive	●		●	
Intensive setting / Automatic intensive revert ¹	●/●		●/●	
NEFF Silence function	●		●	
Filter saturation indicator	●		●	
FEATURES				
Suitable for ducted operation / recirculating	●/●		●/●	
Furniture door required	●		●	
Electronic power level display	●		●	
NEFF Fresh Air (Interval operation)	●		●	
Automatic after running	minutes	10	10	
Lighting	3 x LED	3 x LED lights		2 x LED lights
Softlight with dimmer function	●		●	
Type of control	Touch control		Soft touch	
Power levels	3 + 2 Intensive		3 + 2 Intensive	
Number of metal grease filter cassettes	3		3	2
OPTIONAL ACCESSORIES ²				
Standard recirculation kit	Z51IT12X4		Z54TS02X0	
CleanAir plus anti-pollen recirculation kit	Z51IXC1X6		Z51IXC1X6	
Long life regenerative recirculation kit	Z51ITD1X1		Z51ITD1X1	
Steel finish profile / handle with opening for VarioControl			Z54TF90N0	Z54TF60N0
Handle Strip - black & steel design			Z54TH90D1	Z54TH60D1
Lowering frame	Z54TL90X1	Z54TL90X1		Z54TL60X0
Bracket for installation in 90cm wide units	Z54TM90X0		Z54TM90X0	
PERFORMANCE / TECHNICAL INFORMATION				
Extraction Rate in m³/h ^{3,4}				
Ducted power level 1 / recirculating power level 1	198 / 155		198 / 155	208 / 138
Ducted power level 2 / recirculating power level 2	301 / 242		301 / 242	307 / 222
Ducted power level 3 / recirculating power level 3	395 / 321		395 / 321	392 / 298
Intensive level 1 - ducted / recirculating	534 / 442		534 / 442	530 / 408
Intensive level 2 - ducted / recirculating	700 / 543		700 / 543	717 / 475
Ducted intensive / recirculating intensive			708 / 471	677 / 475
Noise level (sound power) based on dB(A) re 1 pW ^{3,5}				
Ducted power level 1 / recirculating power level 1	41 / 44		41 / 44	41 / 45
Ducted power level 2 / recirculating power level 2	49 / 56		49 / 56	48 / 55
Ducted power level 3 / recirculating power level 3	53 / 63		53 / 63	53 / 61
Intensive level 1 - ducted / recirculating	62 / 71		62 / 71	62 / 69
Intensive level 2 - ducted / recirculating	69 / 73		69 / 73	68 / 73
Ducted intensive / recirculating intensive			68 / 74	62 / 73
Pipe outlet diameter	mm	150/120	150/120	
Minimum distance above an electric hob / gas hob ⁶	mm	430 / 650	430 / 650	
GB plug	●		●	
Energy	B		B	

		TELESCOPIC		TELESCOPIC	
		D49ED22N1B		D46BR22N1B	
		D46ED22N1B		D46BR22N1B	
		N 50		N 30	
		Stainless steel		Silver metallic lacquer	
900			600		600
TECHNICAL INFORMATION					
Lighting					
		10		2 x LED lights	
3 x LED lights		●/●		●/●	
		●		●	
Power levels					
		Soft touch		Rocker switch	
		3 + 1 Intensive		3	
3				2	
OPTIONAL ACCESSORIES ²					
		Z54TS01X0		Z54TS01X0	
Z54TH90D1				Z54TH60D1	
PERFORMANCE / TECHNICAL INFORMATION					
Extraction Rate in m³/h ^{3,4}					
		174 / 103		255 / 164	
164 / 106				315 / 183	
223 / 140		226 / 139		387 / 195	
266 / 166		271 / 174			
412 / 178		405 / 189			
412 / 178		405 / 189			
50 / 57		49 / 58		60 / 70	
56 / 65		56 / 65		64 / 72	
63 / 70		62 / 70		67 / 74	
70 / 71		69 / 72			
70 / 71		69 / 72			
		150/120		150/120	
		430 / 650		430 / 650	
		●		●	
		A		C	

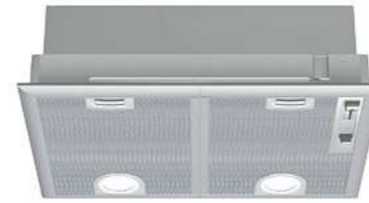
¹Power automatically reverts back to normal setting after intensive. ²A type of recirculating kit is required if recirculating. ³Air Flow and noise declarations made in line with CECEC Code of Conduct. ⁴Measured according to EN61591 on largest pipe diameter. ⁵Sound power measured according to EN60704-3 on largest pipe diameter. ⁶From top of pan supports. Depending on the model. ^aRecirculating odour filter kit will consist of the following items: Charcoal filter, flexible hose, air duct, fixing components, installation instructions.

THE NEFF OVEN COLLECTIONS
HOBS
VENTILATION
REFRIGERATION
DISHWASHING
LAUNDRY

Canopy Hoods



D55MH56N0B



D5655X1GB



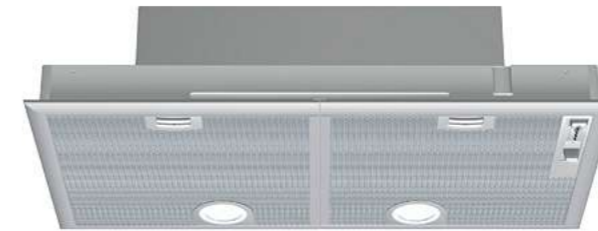
D51NAA1C0B



D57ML67N1B



D57MH56N0B



D5855X1GB

HOOD TYPE	CANOPY		CANOPY		CANOPY		CANOPY		
WIDE MODEL	D57ML67N1B		D57MH56N0B		D5855X1GB		D51NAA1C0B		
STANDARD MODEL			D55MH56N0B		D5655X1GB				
COLLECTION	N 90		N 50		N 30		N 30		
Colour	Stainless Steel and Black Glass		Stainless steel		Silver metallic lacquer		Silver Metallic Lacquer		
SPECIAL FEATURES									
Home Connect									
Adjustable LED white colour temperature									
Ambient light									
Climate control sensor									
Hob Hood control									
Efficient Drive									
Intensive setting / Automatic intensive revert ¹	● / ●		● / ●		● /				
NEFF Silence function									
Filter saturation indicator	●								
FEATURES									
Suitable for ducted operation / recirculating	● / ●		● / ●		● / ●		● / ●		
Furniture door required									
Electronic power level display									
NEFF Fresh Air (Interval operation)									
Automatic after running	minutes	30							
Lighting	2 x LED lights		2 x LED lights		2 x LED lights		2 x LED lights		
Softlight with dimmer function	●								
Type of control	Soft Touch		Soft Touch		Slider switch		Slider switch		
Power levels	3 + 1 Intensive		3 + 1 Intensive		3 + 1 Intensive		3		
Number of metal grease filter cassettes	2		2		1	2		1	
OPTIONAL ACCESSORIES ²									
Standard recirculation filter / kit	Z5135X3		Z5135X3		Z5155X0		Z51INT0X0		
CleanAir plus anti-pollen recirculation kit	Z51XC1X6		Z51XC1X6						
Long life regenerative recirculation kit	Z51TD1X1		Z51TD1X1						
PERFORMANCE / TECHNICAL INFORMATION									
Appliance width	mm	700	700	520	730	530	530		
Extraction Rate in m ³ /h ^{3,4}									
Ducted power level 1 / recirculating power level 1	210 / 170		345 / 210		330 / 200		130 / 110		
Ducted power level 2 / recirculating power level 2	380 / 250		540 / 270		500 / 250		160 / 160		
Ducted power level 3 / recirculating power level 3	575 / 310		630 / 300		575 / 280		302 / 300		
Ducted intensive / recirculating intensive	775 / 380		730 / 310		650 / 290				
Noise level (sound power) based on dB(A) re 1 pW ^{3,5}									
Ducted power level 1 / recirculating power level 1	46 / 57		53 / 69		53 / 67		46 / 49		
Ducted power level 2 / recirculating power level 2	55 / 66		63 / 71		64 / 71		50 / 53		
Ducted power level 3 / recirculating power level 3	64 / 71		66 / 73		67 / 73		62 / 65		
Ducted intensive / recirculating intensive	70 / 75		69 / 74		70 / 74		68 / 72		
Pipe outlet diameter	mm	150 / 120		150 / 120		120			
Minimum distance above an electric hob / gas hob ⁶	mm	500 / 650		500 / 650		650 / 650		550 / 650	
GB plug	●								
Energy	A++		C		C		D		

¹Power automatically reverts back to normal setting after intensive. ²A type of recirculating kit is required if recirculating. ³Air Flow and noise declarations made in line with CECEC Code of Conduct. ⁴Measured according to EN61591 on largest pipe diameter. ⁵Sound power measured according to EN60704-3 on largest pipe diameter. ⁶From top of pan supports. Depending on the model, a 'Recirculating odour filter kit' will consist of the following items: Charcoal filter, flexible hose, air duct, fixing components, installation instructions.

THE NEFF OVEN COLLECTIONS
HOBS
VENTILATION
REFRIGERATION
DISHWASHING
LAUNDRY

Integrated Hoods



Integrated Design Hoods



HOOD TYPE	INTEGRATED	INTEGRATED
WIDE MODEL		
MODEL	D64MAC1X0B	D61MAC1X0B
COLLECTION	N 30	N 30
Colour	Silver metallic lacquer	Silver metallic lacquer
SPECIAL FEATURES		
Home Connect		
Adjustable LED white colour temperature		
Ambient light		
Climate control sensor		
Hob Hood control		
Efficient Drive		
Intensive setting / Automatic intensive revert ¹		
NEFF Silence function		
Filter saturation indicator		
FEATURES		
Suitable for ducted operation / recirculating	● / ●	● / ●
Furniture door required	●	●
Electronic power level display		
NEFF Fresh Air (Interval operation)		
Automatic after running	minutes	
Additional noise insulation		
Lighting	2 x LED lights	2 x LED lights
Softlight with dimmer function		
Controls	Push buttons	Push buttons
Power levels	3	3
Number of metal grease filter cassettes	2	2
OPTIONAL ACCESSORIES ²		
Standard recirculation filter / kit	Z511MA0X0	Z511MA0X0
CleanAir plus anti-pollen recirculation kit	Z511MA0X0	Z511MA0X0
Long life regenerative recirculation kit	Z511MA0X0	Z511MA0X0
PERFORMANCE / TECHNICAL INFORMATION		
Appliance width	mm 599	599
Extraction Rate in m³/h ^{3,4}		
Ducted power level 1 / recirculating power level 1	256 / 208	240 / 224
Ducted power level 2 / recirculating power level 2	352 / 320	288 / 256
Ducted power level 3 / recirculating power level 3	625 / 416	368 / 272
Ducted intensive / recirculating intensive		
Noise level (sound power) based on dB(A) re 1 pW ^{3,5}		
Ducted power level 1 / recirculating power level 1	49 / 57	52 / 64
Ducted power level 2 / recirculating power level 2	56 / 68	56 / 67
Ducted power level 3 / recirculating power level 3	70 / 75	62 / 68
Ducted intensive / recirculating intensive		
Pipe outlet diameter	mm 150 / 120	150 / 120
Minimum distance above an electric hob / gas hob ⁶	mm 500 / 650	500 / 650
GB plug	●	●
Energy	B	D

INTEGRATED DESIGN		INTEGRATED DESIGN	
D65XAM2S0B		D95XAM2S0B	
N 70		N 70	
Stainless steel and Clear Glass		Stainless steel and Clear Glass	
● / ●		● / ●	
2 x LED lights		2 x LED lights	
Rotary switch		Rotary switch	
3		3	
2	1	2	1
Z511BI6X4		Z511BI6X4	
Z511XC1X6		Z511XC1X6	
Z511TD1X1		Z511TD1X1	
894	594	894	594
230 / 210	230 / 210	230 / 210	230 / 210
360 / 330	335 / 330	360 / 330	335 / 330
610 / 440	610 / 440	610 / 440	610 / 440
49 / 60	49 / 60	49 / 60	49 / 60
56 / 69	56 / 69	56 / 69	56 / 69
70 / 75	70 / 75	70 / 75	70 / 75
150 / 120		150 / 120	
500 / 500		500 / 500	
●		●	
B		B	

¹Power automatically reverts back to normal setting after intensive. ²A type of recirculating kit is required if recirculating. ³Air Flow and noise declarations made in line with CECEC Code of Conduct. ⁴Measured according to EN61591 on largest pipe diameter. ⁵Sound power measured according to EN60704-3 on largest pipe diameter. ⁶From top of pan supports. Depending on the model, a 'Recirculating odour filter kit' will consist of the following items: Charcoal filter, flexible hose, air duct, fixing components, installation instructions.

Worktop Installation Hoods

I98WMM1S1B

Measurements in mm

C

A: Installation of motor unit on front/rear or offset laterally with max. 3 mm clearance (special accessory required)
B: 5.5 mm
 Motor unit must always be accessible

Planning recommendation, air recirculation

(A) Exterior wall - U-value ≤ 0.5 W/(m²K)
 Standard installation: Partially laid around the toe kick
(B) Exterior wall - U-value > 0.5 W/(m²K)
 Installation with fully laid pipework to the toe kick for poorly insulated exterior walls or above cold floors

Measurements in mm

A: Worktop overhang protruding beyond unit carcass
B: ≥ 20 mm between the Guided Air suction area and a cabinet wall
C: ≥ 60 mm for air recirculation
D: Motor unit must always be accessible

Measurements in mm
 Combination with electric hob
 Seamless installation

A: Worktop overhang protruding beyond unit carcass
 Combination with gas hob is not possible
 To prevent power loss, observe the following:

- Do not install upper cabinets above the appliance
- Clearance of open shelf elements above the appliance min. 650 mm (recommended)
- Left/right clearance between appliance and wall/adjacent upper cabinet min. 500 mm
- Clearance between appliance frame and wall min. 50 mm

Use with gas hob not possible.
 To ensure that the appliance does not lose any power, do not install any wall units above the appliance and maintain the following clearances:

- At least 50 cm to the left and right from the appliance to a wall or to an adjacent wall unit
- At least 5 cm from the appliance frame to a wall

I25CBS8W0B

The fan outlet can be turned in all four directions

Never fit directly onto plasterboard or similar lightweight construction materials of the suspended ceiling. A suitable substructure is required that is securely fixed to the concrete ceiling.

Circulated air

A: Optimum performance 700-1500
B: From upper edge of pan support
C: The distance can be reduced by up to 70 mm provided that the height of the suspended ceiling is ≥ 340 mm.

Air extraction

A: Optimum performance 700-1500
B: From upper edge of pan support

D95DAP8N0B

Use with gas hob only possible in air extraction mode.
 Maximum total power 13.4 kW
 * 650 mm depth only in combination with slim hobs.
 ** min. 750 mm for hobs with 500 mm cut-out depth.

The motor unit can be turned on all of its four sides, fitted on the front or the rear or offset at a distance from the appliance. (Special accessory required)

I94CAQ6N0B

The fan outlet can be turned in all four directions

Never fit directly onto plasterboard or similar lightweight construction materials of the suspended ceiling. A suitable substructure is required that is securely fixed to the concrete ceiling.

Air recirculation

A: Optimum performance 700-1500
B: From upper edge of pan support
C: Connector (from a flat duct to a circular duct).
 Not included in the scope of delivery.

Air extraction

A: Optimum performance 700-1500
B: From upper edge of pan support

Ceiling Installation Hoods

I97CPS8W5B, I95CBS8W0B, I95CAQ6N0B, I95CAQ6W0B

The fan outlet can be turned in all four directions

Never fit directly onto plasterboard or similar lightweight construction materials of the suspended ceiling. A suitable substructure is required that is securely fixed to the concrete ceiling.

measurements in mm
 Air recirculation

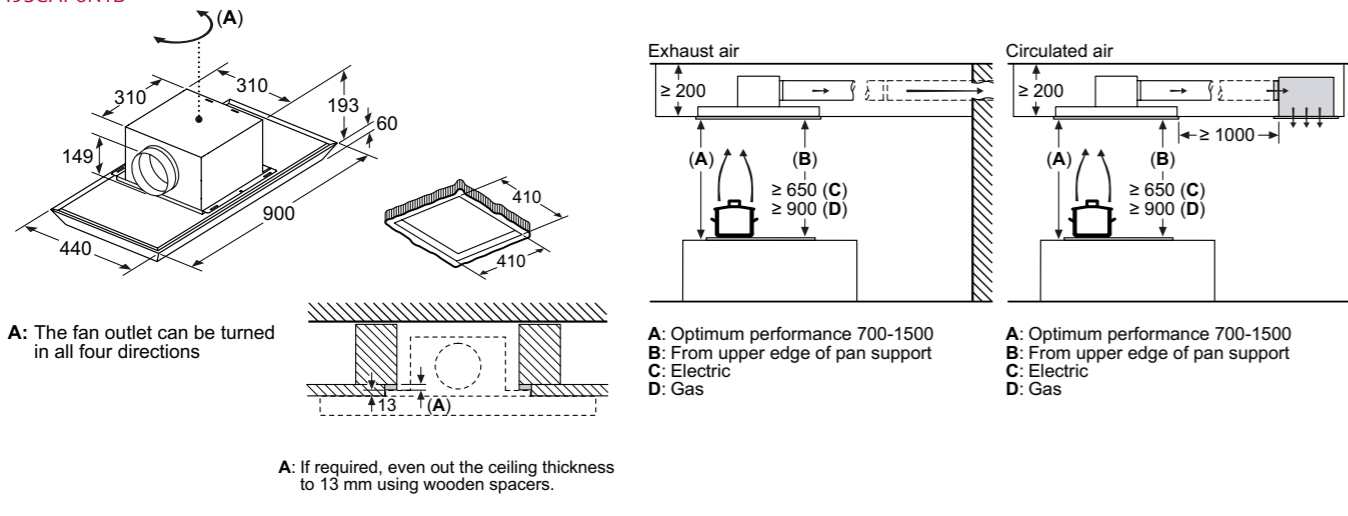
A: Optimum performance 700-1500
B: From upper edge of pan support

measurements in mm
 Air extraction

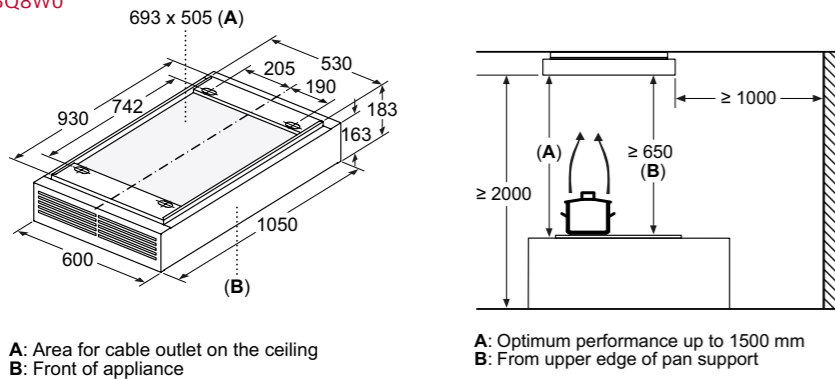
A: Optimum performance 700-1500
B: From upper edge of pan support

Ceiling Installation Hoods

I95CAP6N1B

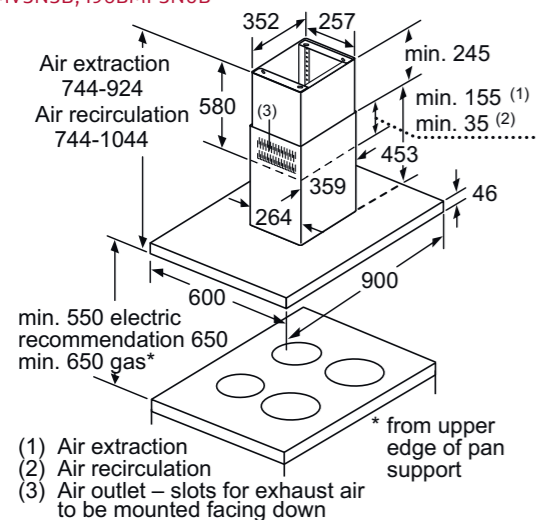


I14RBQ8W0

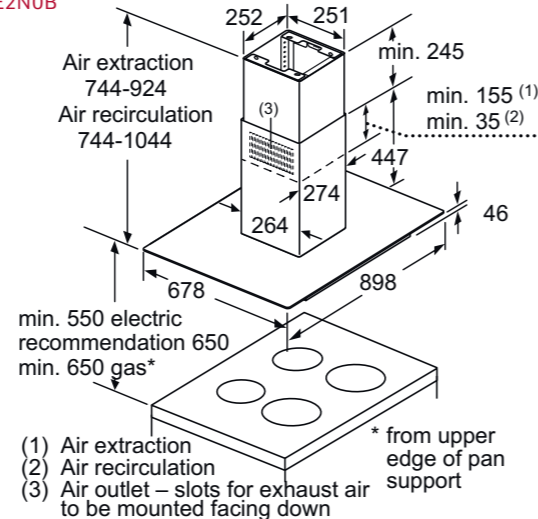


Island Hoods

I96BMV5N5B, I96BMP5N0B

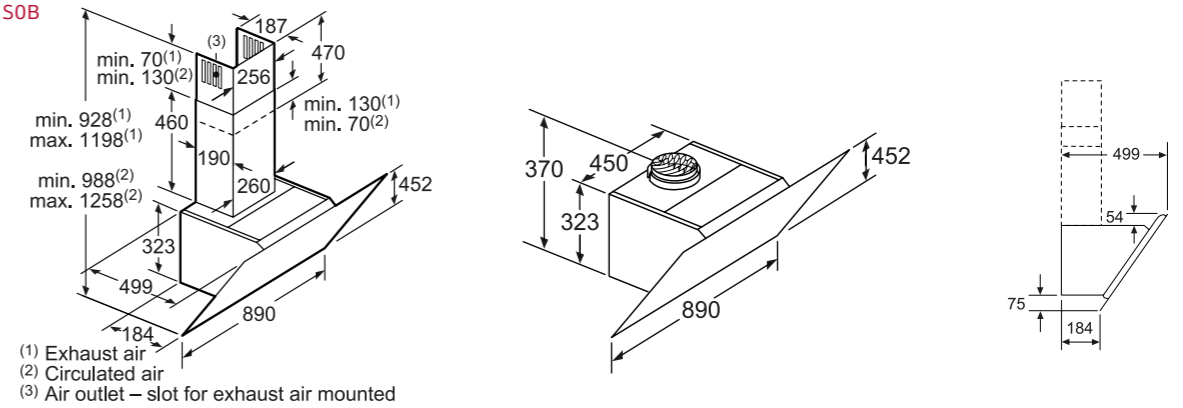


I95GBE2N0B

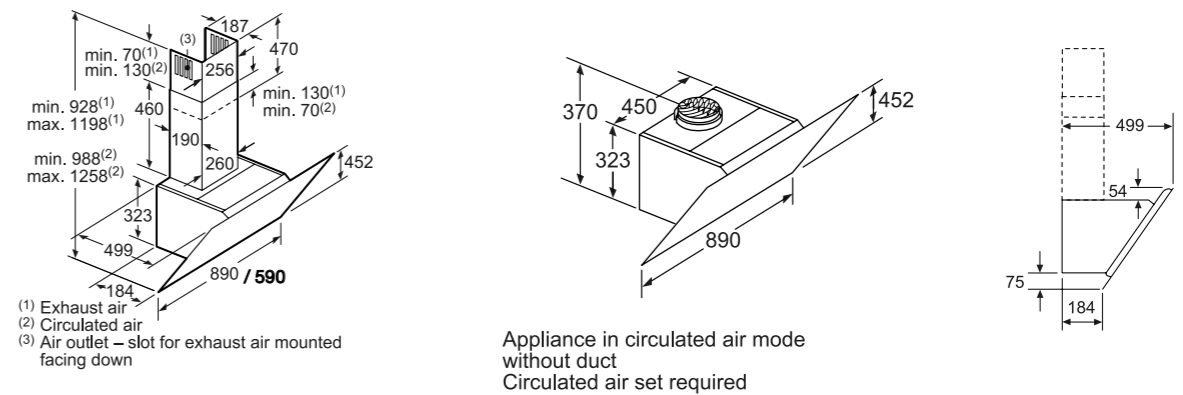


Wall Installation Hoods

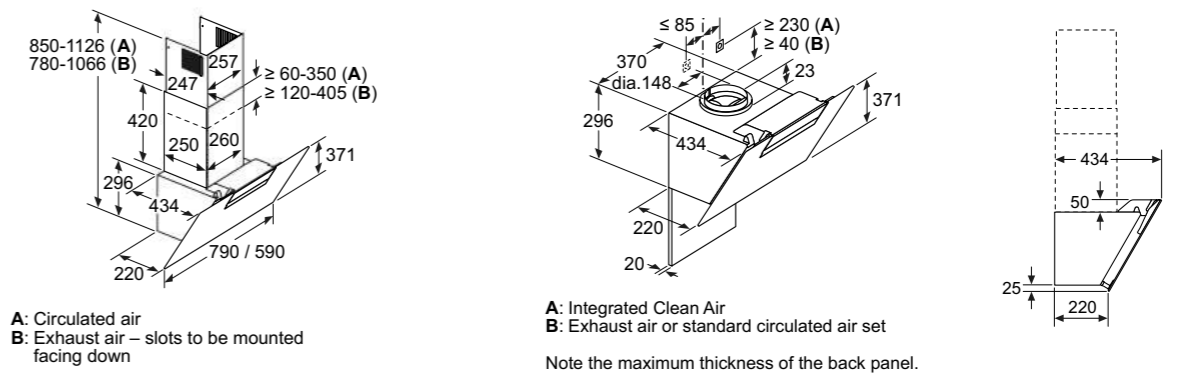
D96IKW1S0B



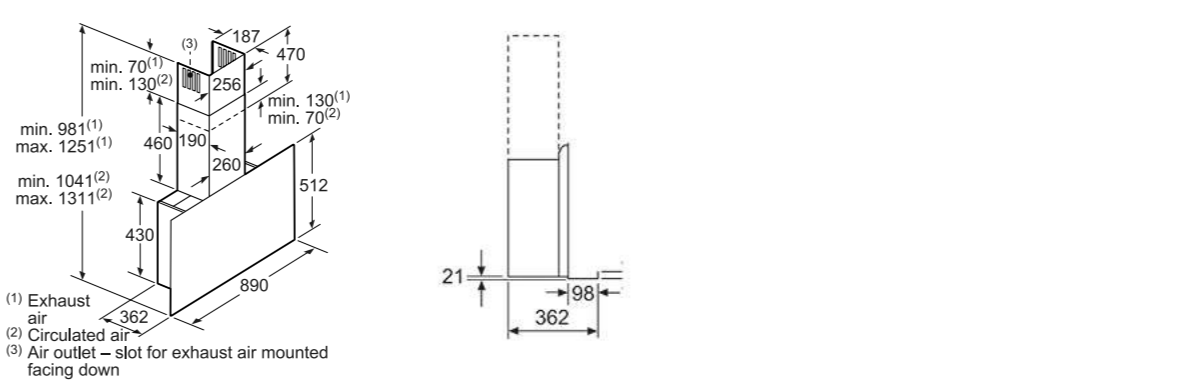
D95IHM1S0B, D65IHM1S0B



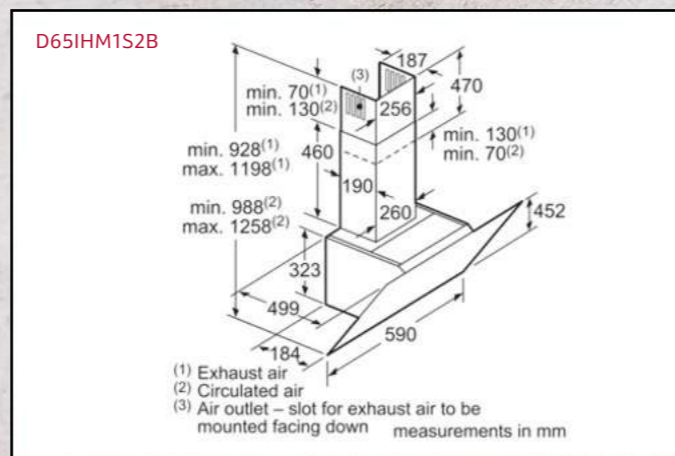
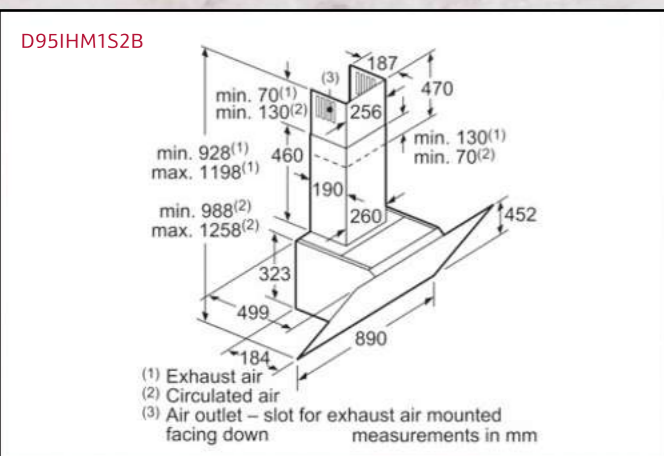
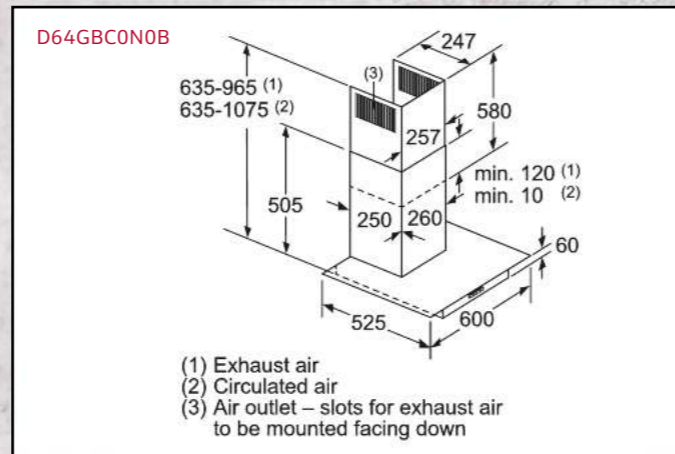
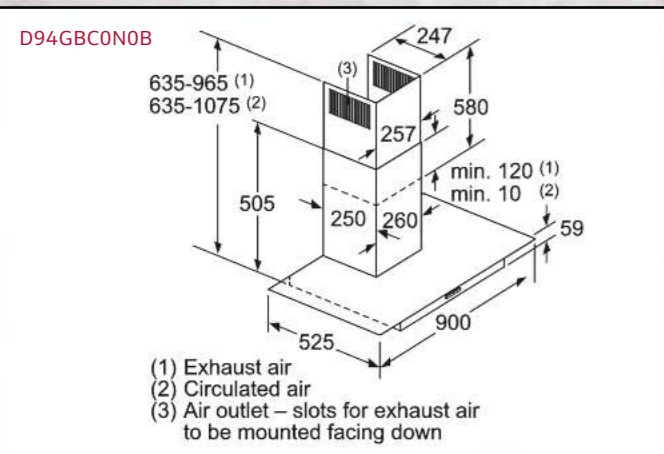
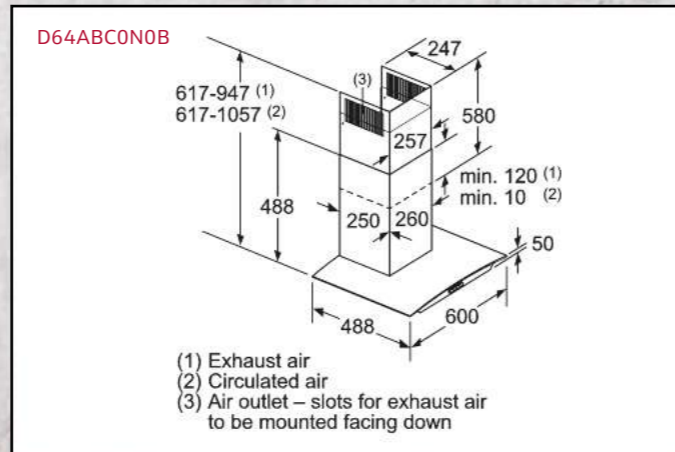
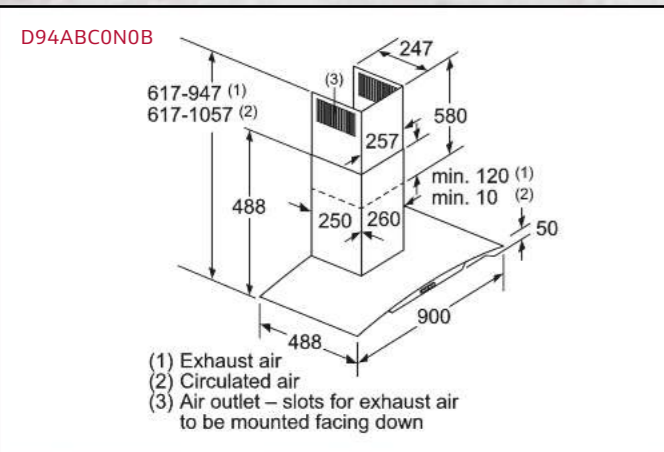
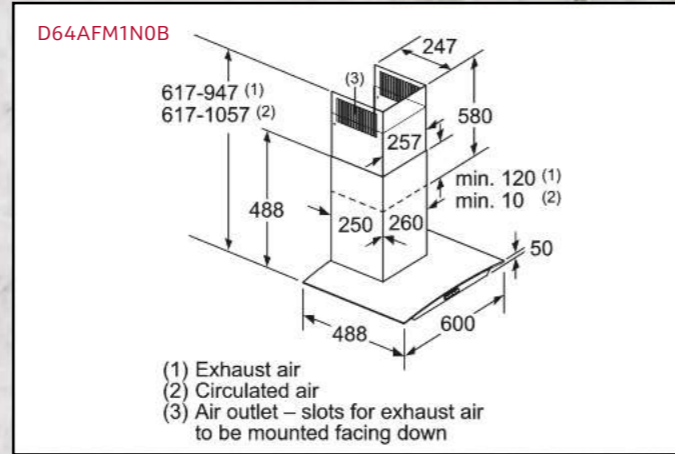
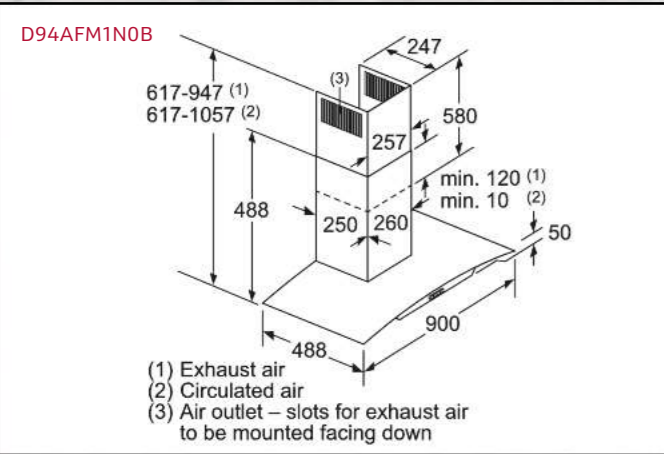
D85IEE1S0B, D65IEE1S0B



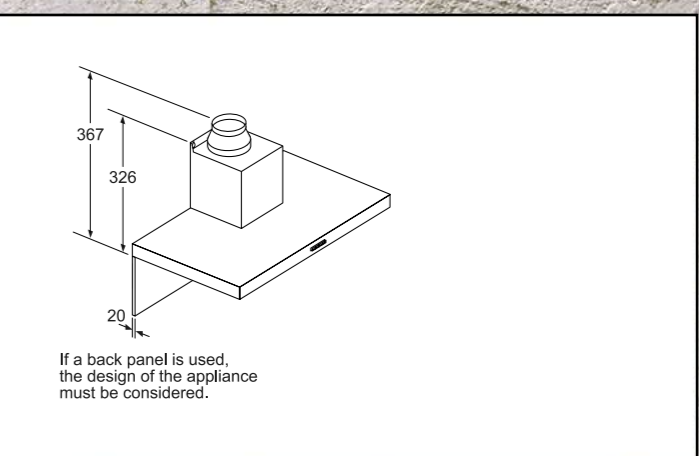
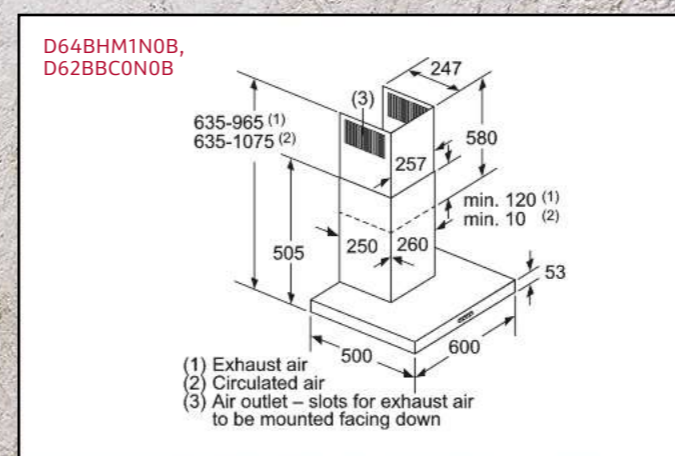
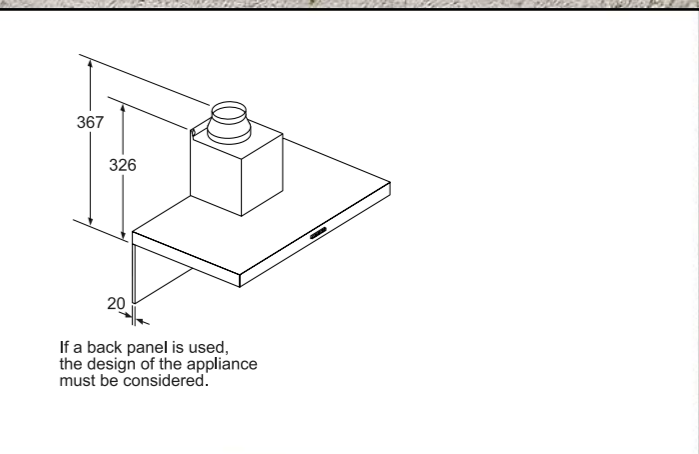
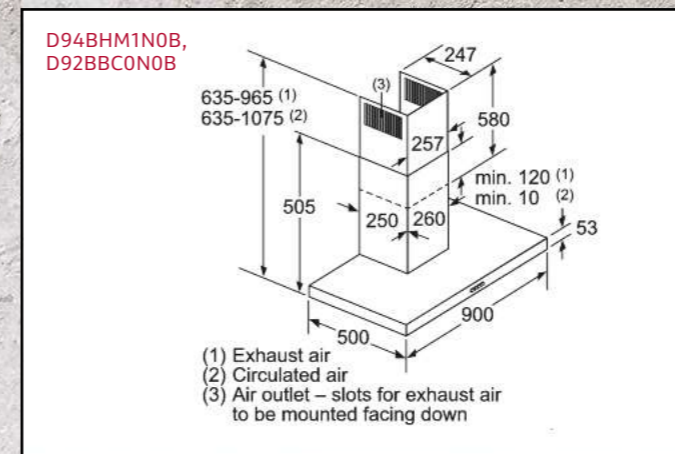
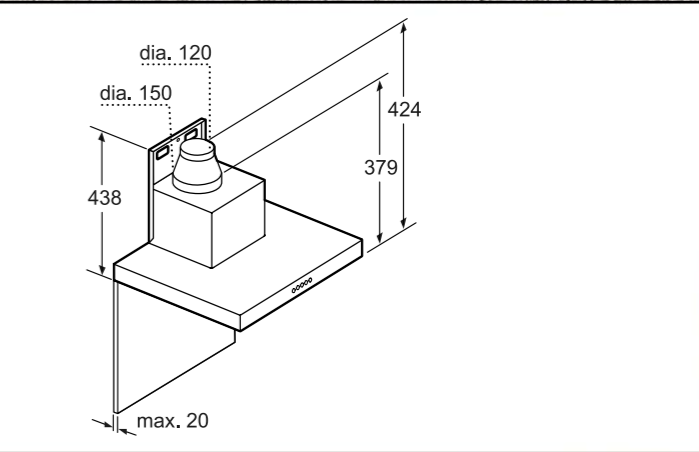
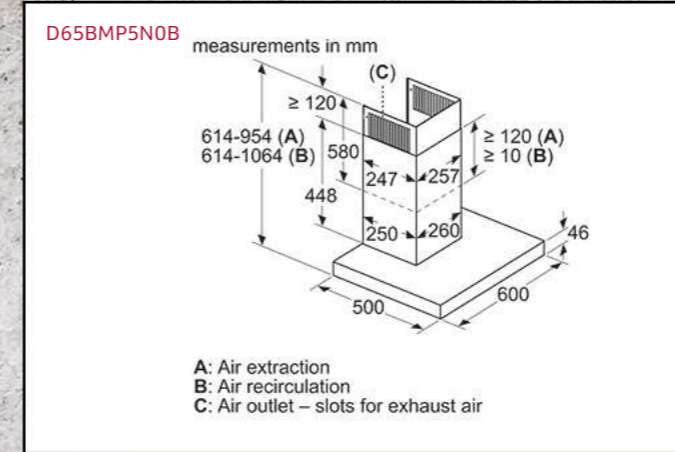
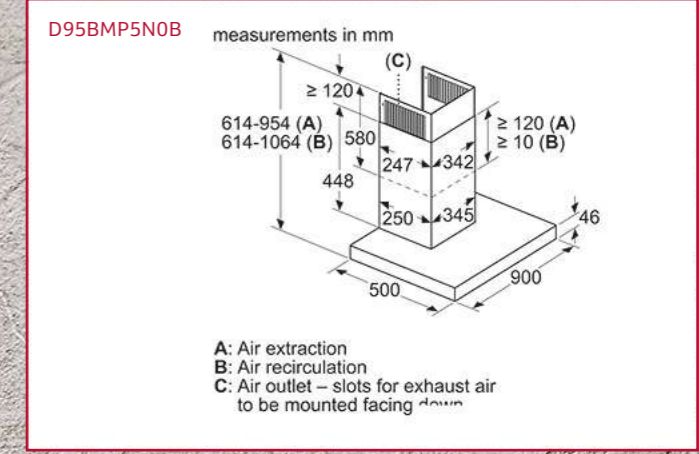
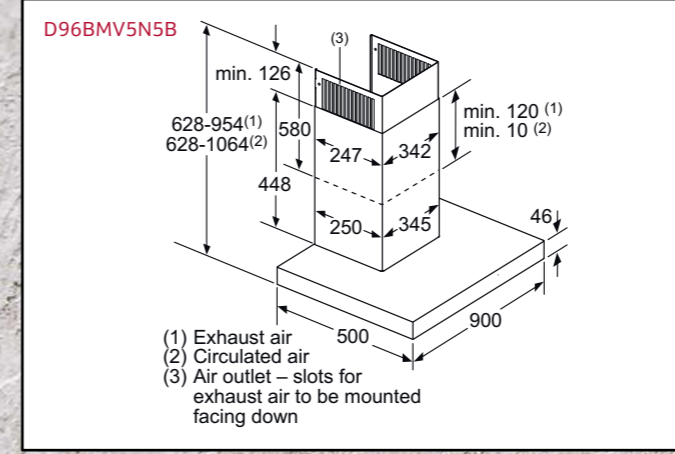
D95FRM1S0B



Glass Chimney Hoods



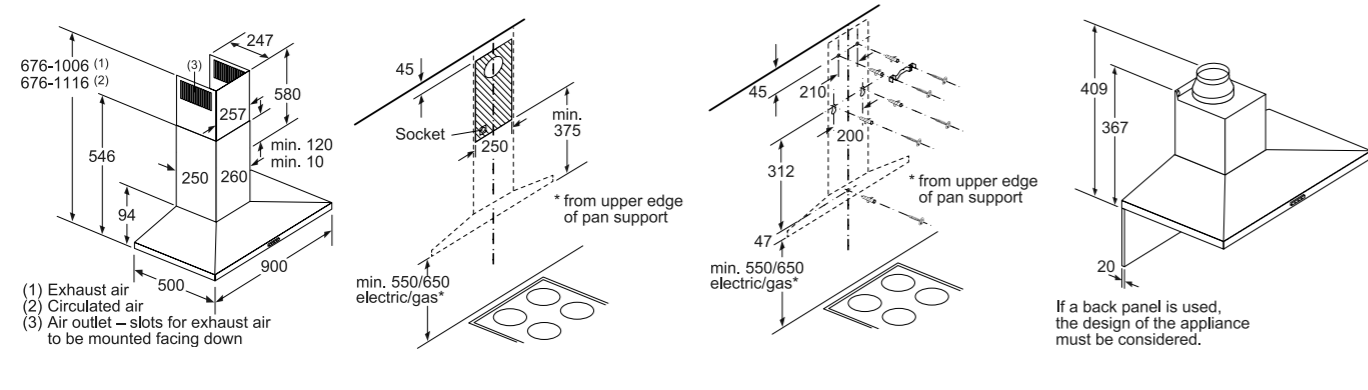
Box Chimney Hoods



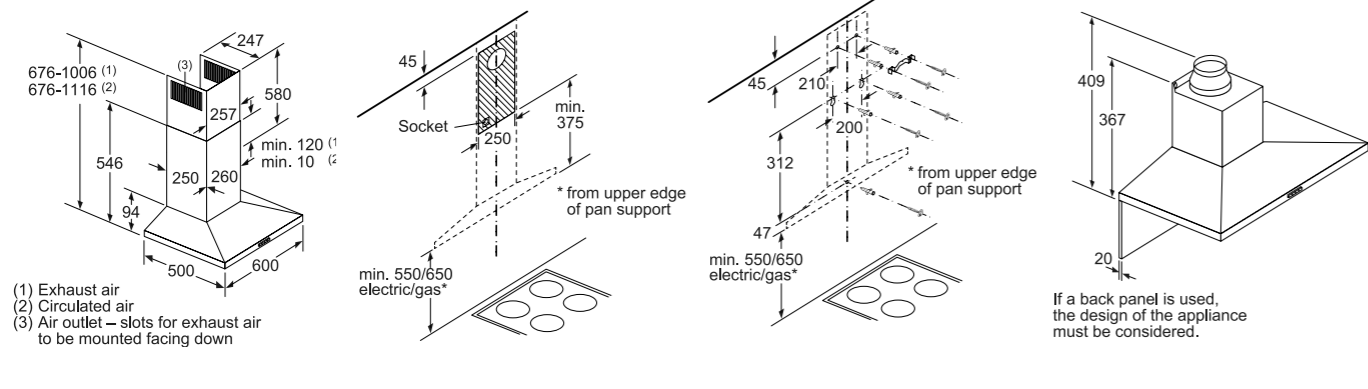
THE NEFF OVEN COLLECTIONS
HOBS
VENTILATION
REFRIGERATION
DISHWASHING
LAUNDRY

Pyramid Chimney Hoods

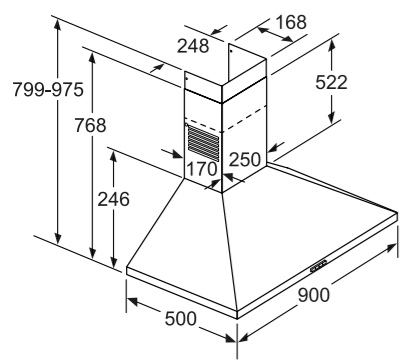
D94QFM1N0B, D92QBC0N0B



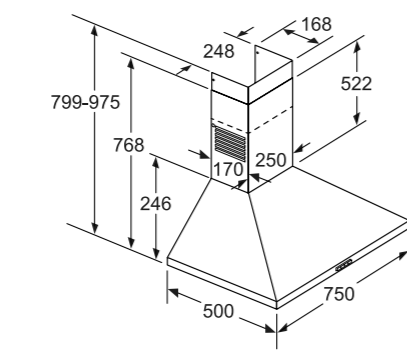
D64QFM1N0B, D62QBC0N0B



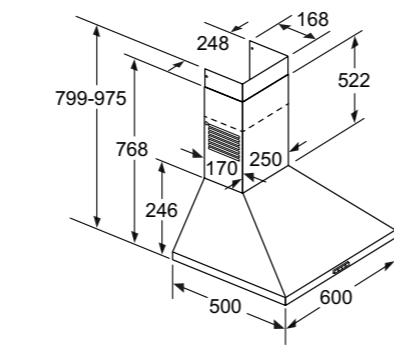
D92PBC0N0B



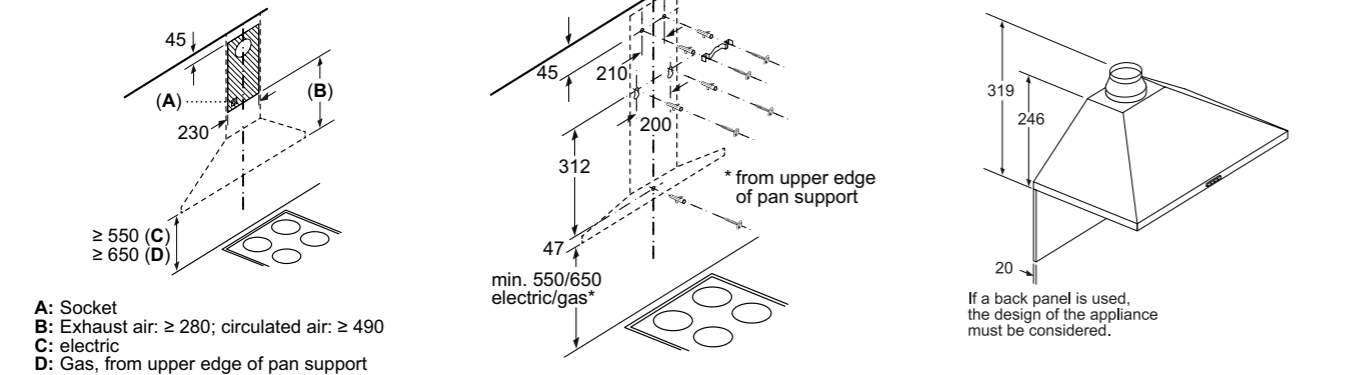
D72PBC0N0B



D62PBC0N0B

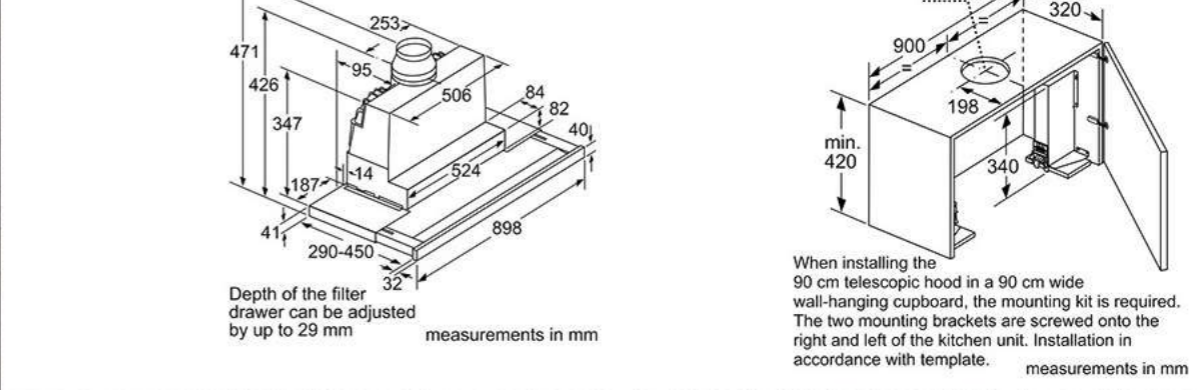


D92PBC0N0B, D72PBC0N0B, D62PBC0N0B

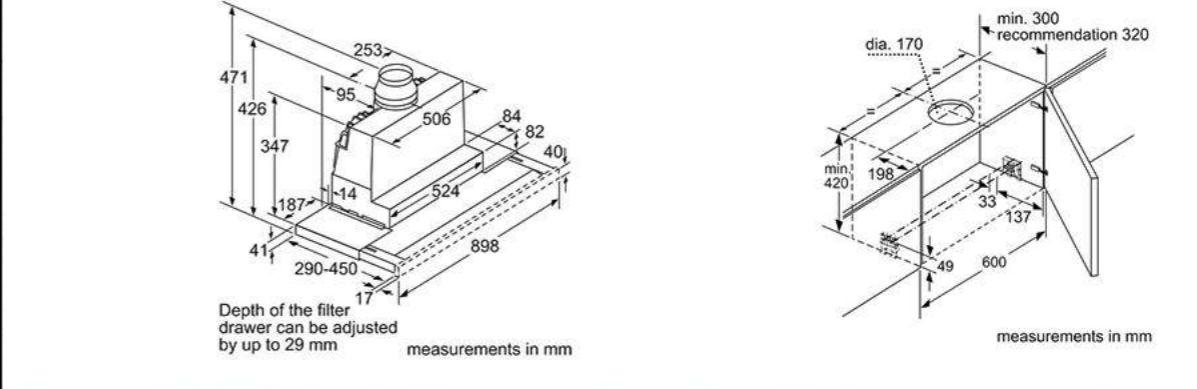


Telescopic Hoods

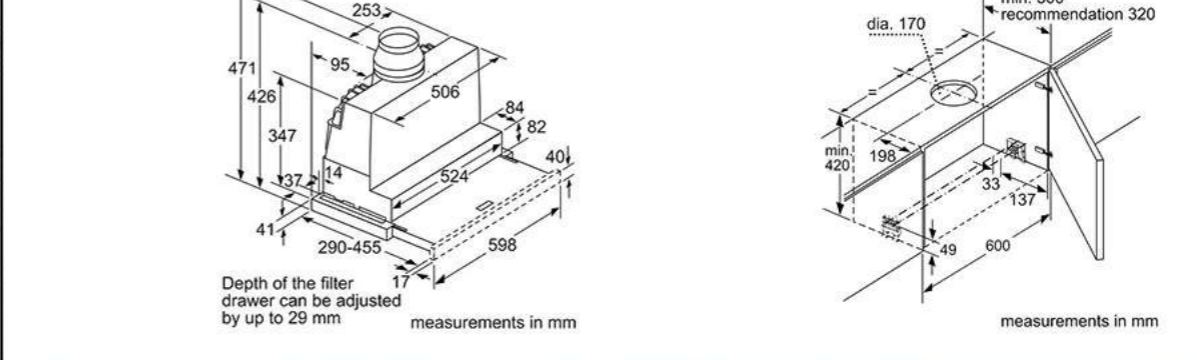
D49PU54X1B



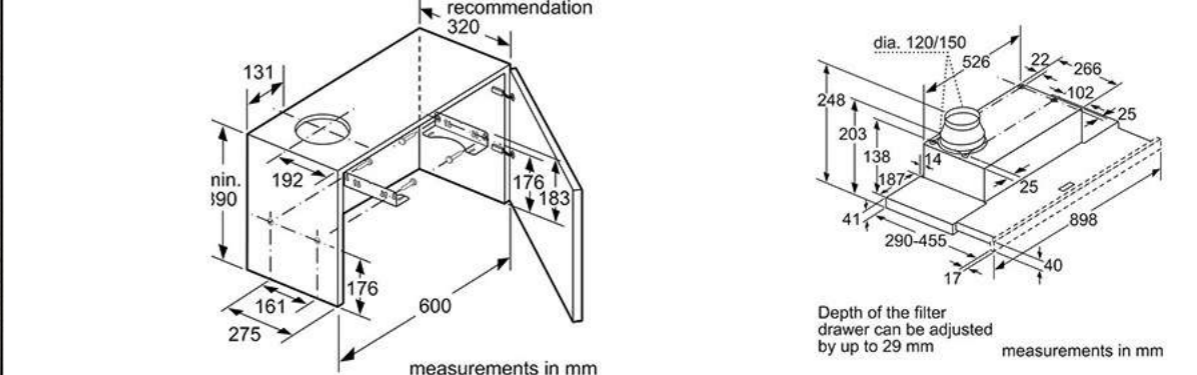
D49ML54N1B



D46ML54N1B

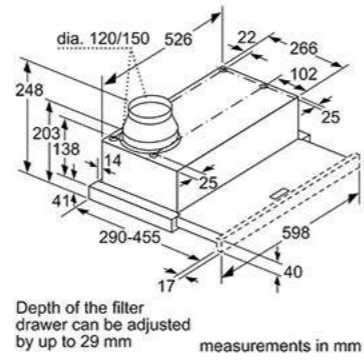
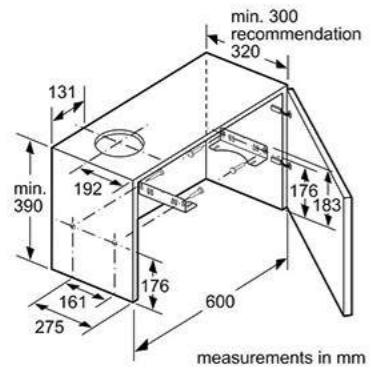


D49ED22N1B

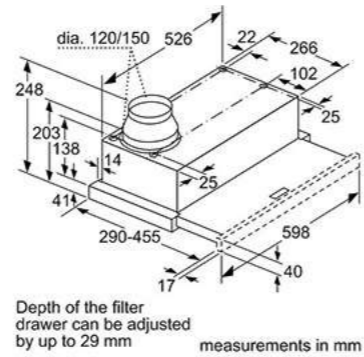
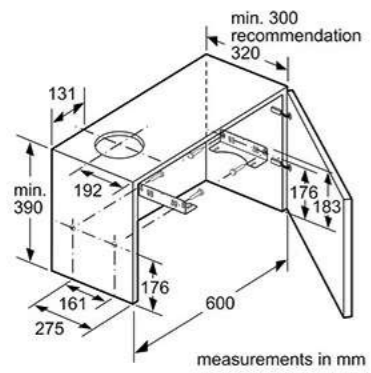


Telescopic Hoods

D46ED22N1B

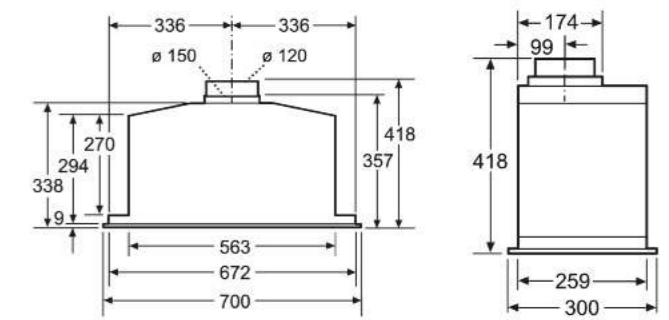
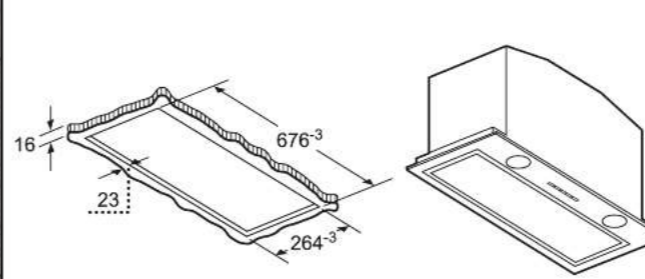


D46BR22N1B

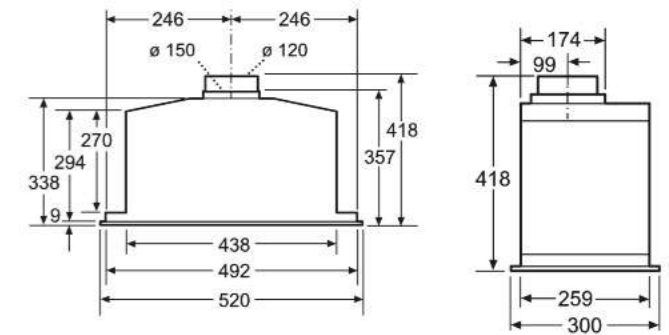
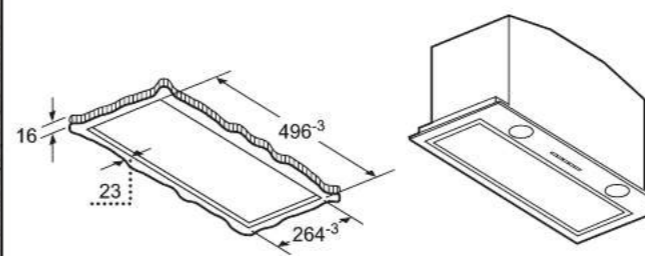


Canopy Hoods

D57ML67N1B, D57MH56N0B

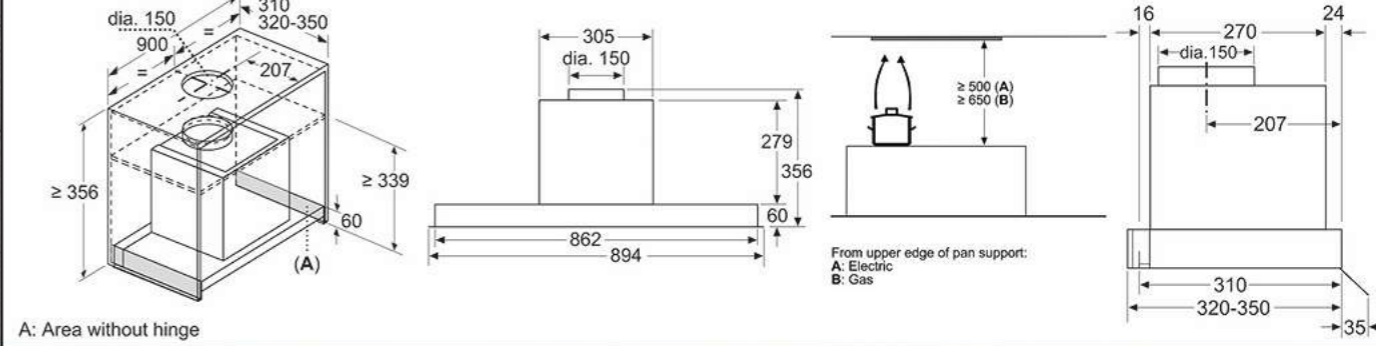


D55MH56N0B

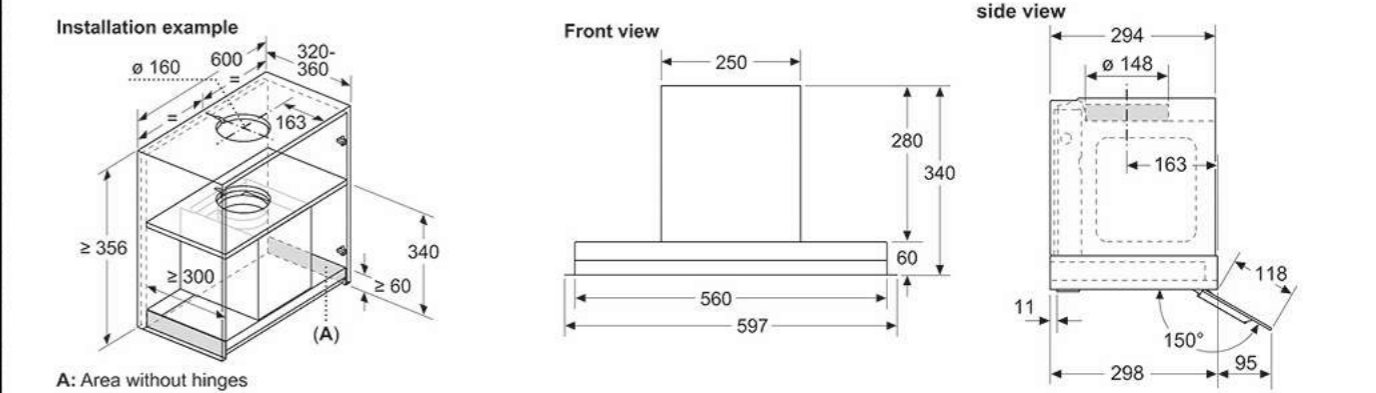


Integrated Design Hoods

D95XAM2S0B



D65XAM2S0B



THE NEFF OVEN COLLECTIONS

HOB

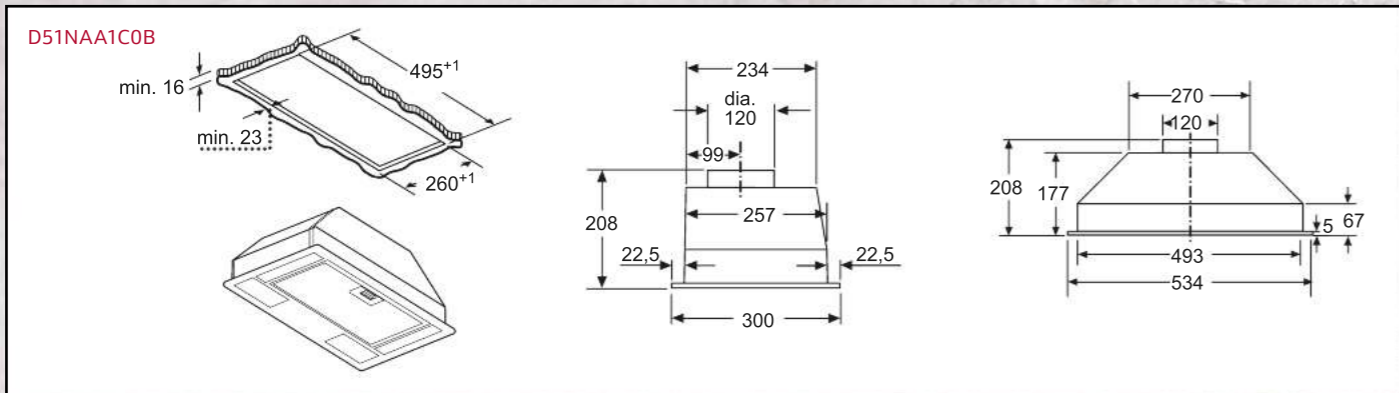
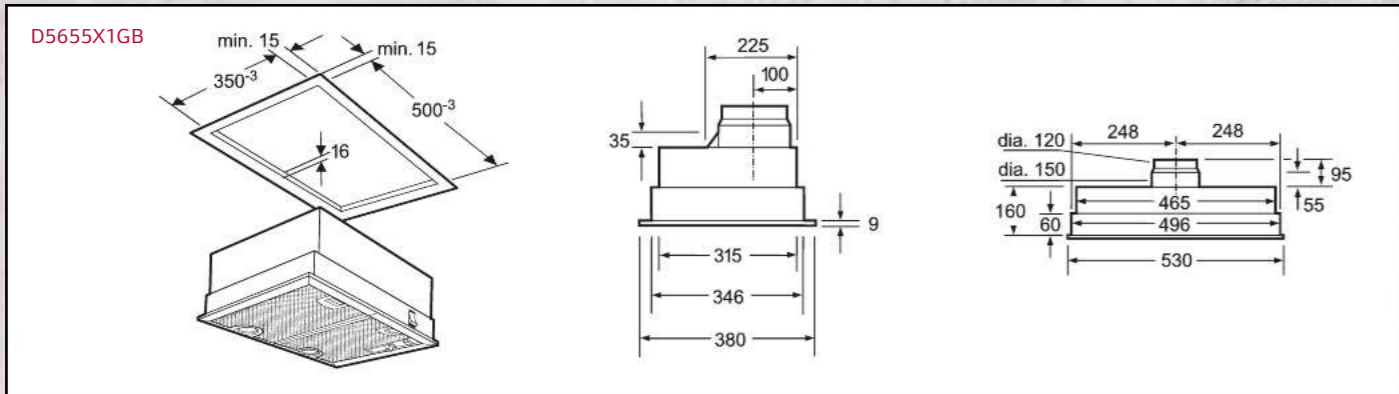
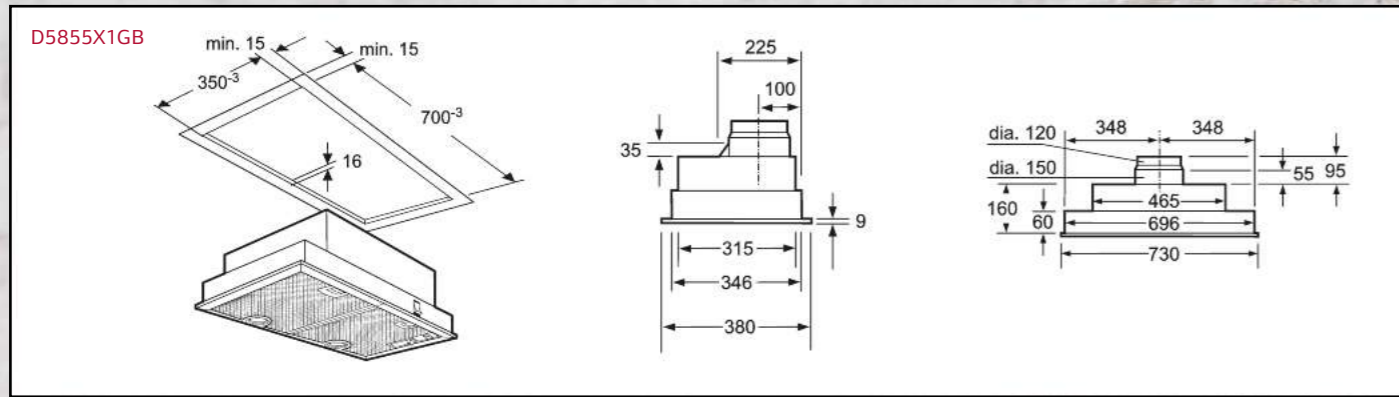
VENTILATION

REFRIGERATION

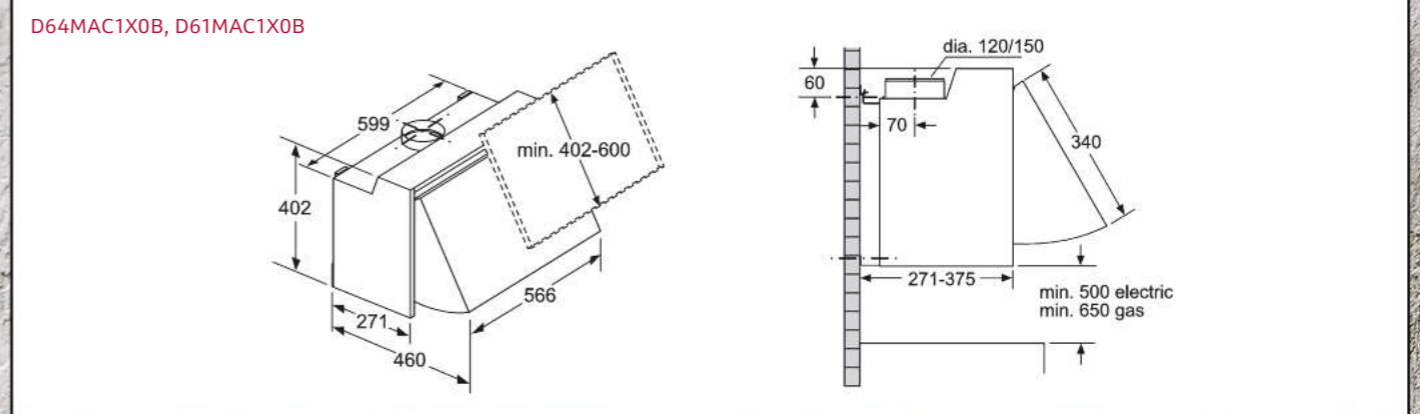
DISHWASHING

LAUNDRY

Canopy Hoods



Integrated Hoods



Your Guide To Refrigeration

A style for all food lovers

Fresh, seasonal ingredients are a staple in any NEFF kitchen. That's why the right food storage is so important: all our models – whether it's a large American-style fridge freezer that can cope with the demands of a hungry family, or a side-by-side fridge freezer that integrates seamlessly into the kitchen furniture – NEFF give you the flexibility to keep your fruit, vegetables and herbs crisp and vibrant for longer.



Built-In Fridge/Freezer

Designed to fit in a single housing unit, our range of fridge freezers include models from the tall larder style to more compact styles. All of our fridge freezers have a 4 star rating.

KI68865DE0
Built-in fridge freezer N 90



American-Style Fridge Freezer

It's big, bold, and there's enough space for even the largest family's chilled and frozen food. You'll also find an ice and water dispenser to keep you cool all year round.

KA3923IE0G
American-style fridge freezer N 70



Built-Under Fridge Freezer

Our integrated fridge with a four star freezer fits neatly under the work surface and provides a compact, flexible cooling solution for busy kitchens.

K4336XFF0G
Built-under single door fridge N 50



Wine Cabinets

Introduced in 2021, our new wine cabinets keep wine comfortably stored at the ideal drinking temperature. This ensures the joy of a delicious meal by offering an optimal taste experience through and through – namely by fantastic food and exquisite wine.

KU9213HG0G
Built-under wine cabinet N 70



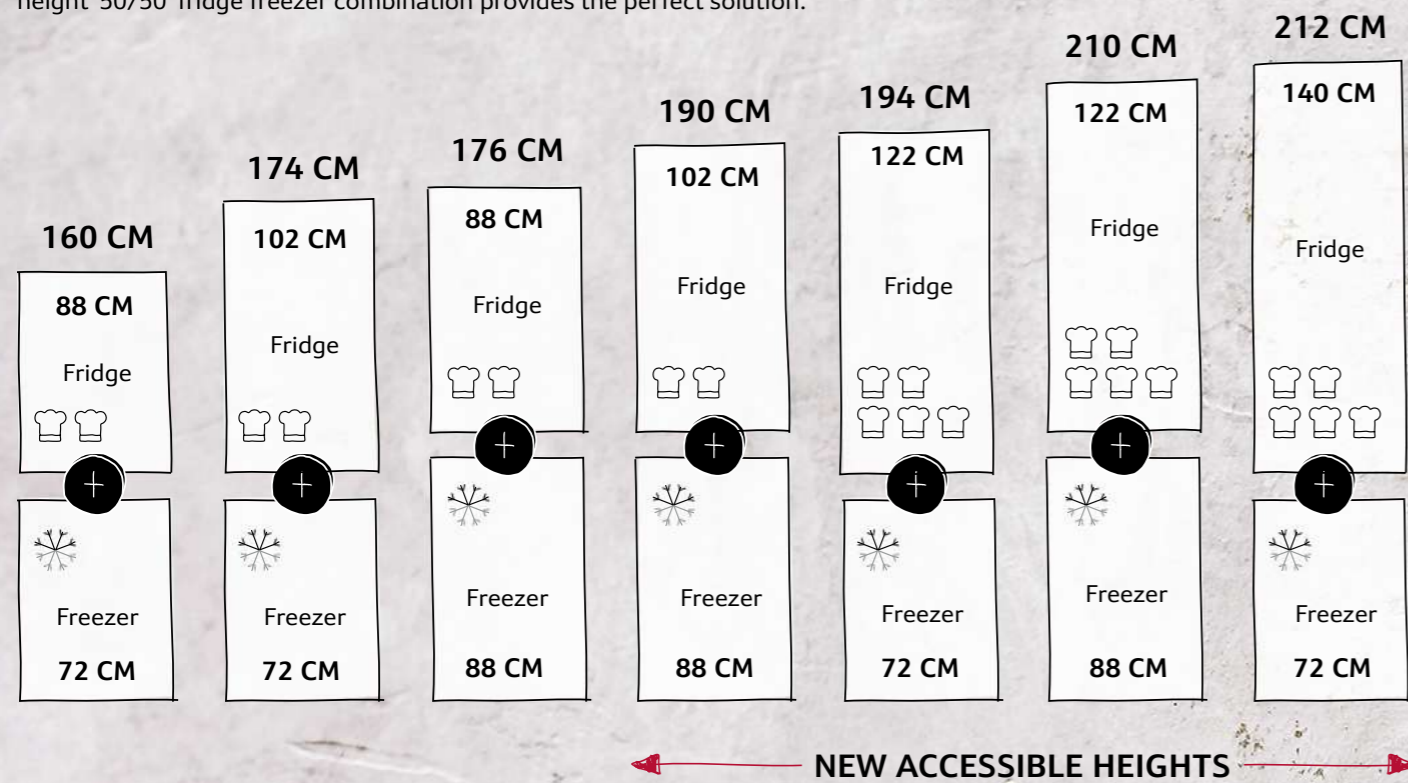
Your Guide To Sizes

Combination and layout solutions for installing your cooling appliances

With so many kitchen styles to choose from, at NEFF we've catered for all spaces and lifestyles. With the option to build a cooling solution to your requirements, our installation options are designed to offer the ultimate flexibility. From side-by-side fridge and freezer installations to over-under stacked installations, it's easy to incorporate NEFF appliances into your overall kitchen design.

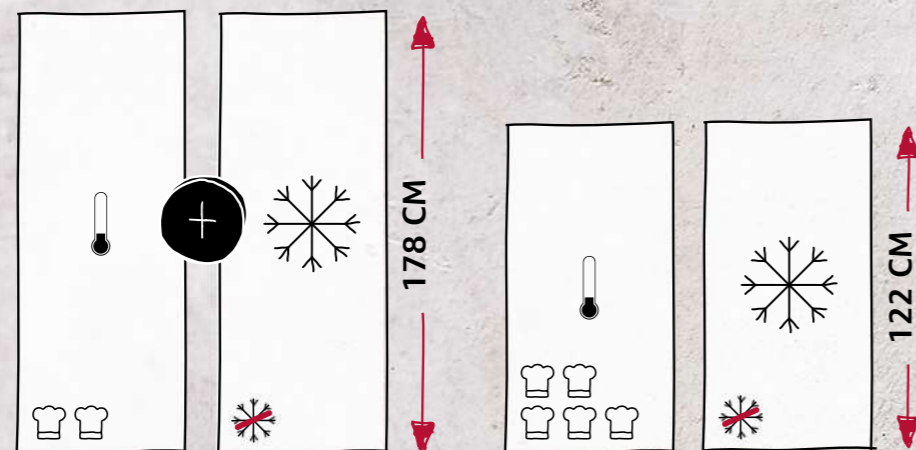
Over-Under Installation:

Our over-under installation options are perfectly tailored to suit every cookaholic's lifestyle. Conveniently 'stack' your fridge and freezer and ensure your cooling space reflects how you like to cook. For those who tend to shop little and often, a smaller capacity fridge & freezer doesn't need to impact on your space. Equally, if family life makes ample freezer space essential, an equal height '50/50' fridge freezer combination provides the perfect solution.



Side-by-Side installation:

Our single door fridges and freezers are designed to sit parallel to one another in order to create a double door effect. By placing a left-hinged fridge and a right-hinged freezer (or vice versa) side by side you can easily browse fresh and frozen ingredients before getting creative in the kitchen. Smooth door opening is facilitated by a simple fixed or sliding hinge. Equally if you want to place a fridge in the kitchen and a freezer in the utility room, our appliances can be installed in a way which suits you.



Hinge Types

Hinges to suit all kitchen designs

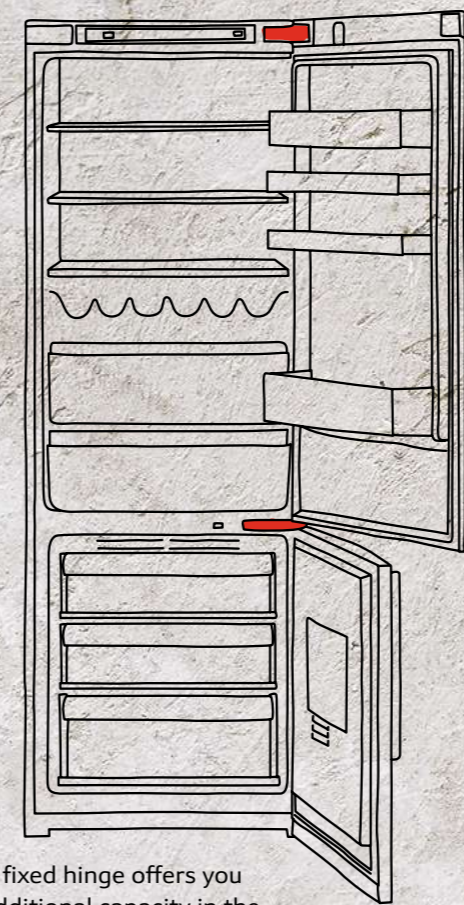
Our doors can be right-hinged or left-hinged in order to suit your kitchen design.

Fixed Hinge & Soft Close Hinge

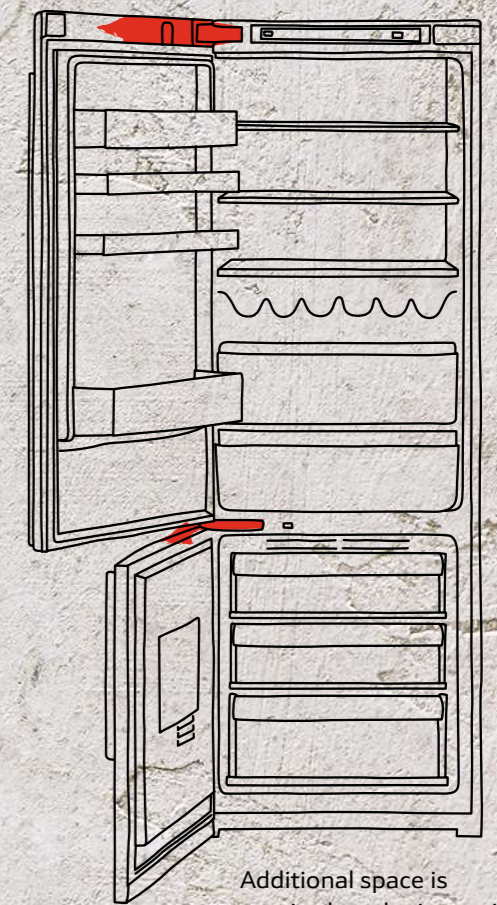
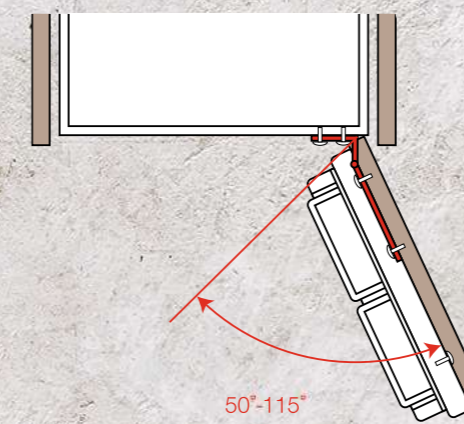
The benefit of this type of hinge is that it carries more weight – ideal for kitchen cabinetry made from heavier hard wood. This hinge also allows the door to open at a wider angle, making the fridge cavity easily accessible. All NEFF doors close automatically when at an angle of approximately 15-20° and selected models have the benefit of Soft Close.

Sliding Hinge

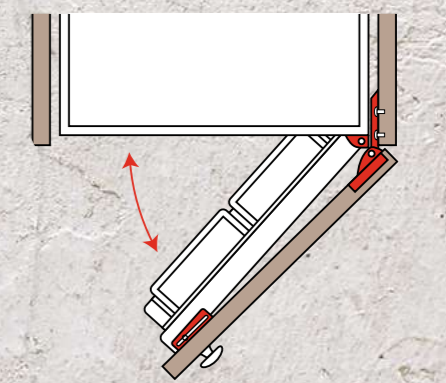
Our sliding hinge feature sits between the appliance and the furniture door and is secured by a series of brackets. As you open the furniture door, the appliance door is also opened via the sliding bracket design.



A fixed hinge offers you additional capacity in the refrigerator, leaving you more room for your food.



Additional space is required on the inner side of the cabinet to make way for the door hinge.



Key Functions Guide

SERIES FUNCTIONS				
Product Function	N 90	N 70	N 50	N 30
Home Connect	•	-	•	•
Fresh Safe	Fresh Safe 3	Fresh Safe 2	Fresh Safe	Fresh Safe
No Frost/Low Frost	•/-	•/•	•/•	•/
Vario Shelf	•	•	-	-
Wire Flex Shelf	•	-	-	-
Easy Access Shelf	•	•	-	-
Easy Lift Shelf	•	-	-	-
Flexi Rail Drawers	•	-	-	-
Electronic 7 Segment Control	•	•	•	-
Electronic Control	-	-	•	-
Energy Rating	E or F	E or F	E or F	F
Super Cool	•	•	•	-
Fresh Sense	•	•	-	-
Soft Close/Fixed/Sliding	•/•/-	-/•/-	•/•/-	-/-/•
LED Light/Daylight/Interior Light	•/-/-	•/-/-	•/•/-	-/-/•
Super Freeze	•	•	•	-
Big Box	•	•	•	-
Wine Cabinets	-	•	-	-
Vegetable Drawer	-	-	-	•
Manual Defrost	-	-	-	•

Cooling Functions

MULTIPLE COOLING SYSTEMS

Separate cooling circuits for independent temperature control, to prevent the transference of odours and/or humidity between the fridge and freezer cavities.



MULTI AIR FLOW COOLING

Greatly improves the circulation of air around the fridge, regulating the temperature and humidity levels and eradicating condensation build up, so that your food stays fresher for longer.



LOW FROST

Low Frost improves performance and reduces frost build up in an energy efficient way. It also provides more storage space due to there being no internal evaporator and you may only need to defrost your freezer every 2-3 years.



ECO AIR FLOW

Our Eco Air Flow system treats your ingredients as lovingly as you picked them. Eco Air Flow circulates the air evenly in your fridge to keep flavours delicious under ideal cooling conditions.



NO FROST

No Frost freezers automatically react to any signs of frost so it never has a chance to build up. With a No Frost freezer air is blown from the back wall and circulates over food items. As a result, there is no condensation or build up of frost and food does not freeze together.



SUPER FREEZE

Lowers the temperature for rapid freezing when adding fresh food.

INTELLIGENT COOLING

Uses a range of innovative sensors to calculate the quantity of food in the fridge with the outside temperature. The fridge then adjusts the internal cooling power accordingly.

DOOR OPEN

Door Open and high temperature alarm systems alert you if the door has been left open or a power cut has occurred. Ideal for mitigating food wastage.

SUPER COOL

Allows for the increase in temperature that occurs when fresh food is added. As soon as the food is cold, the fridge will readjust to the normal temperature.

FRESH SAFE

Our Innovative 0°C Fresh safe preservation system extends the life of food times to reduce waste.

Design Features



Unique to NEFF, making your life even easier

EASY CLEAN MAGNETIC DOOR SEALS

The magnetic door seals on all of our refrigeration ranges are removable, making them easy to clean and/or replace if necessary.

SOFT CLOSE

With Soft Close, the fridge door closes automatically when open at an angle of 20° or less. With a soft closing mechanism, it's the ideal addition to kitchens with soft close cabinets.

ANTI-SPILL TRIMS

Effectively hold up to a pint of liquid in case of accidental spillage. Food is protected below and the clean-up process is a little less messy.



WIRE SHELF

Completely unique to NEFF, our new Wire Shelf feature is ideal for securely storing jars and bottles stacked on their side.



EASY LIFT SHELF

With Easy Lift shelving, it's possible to adjust shelves with just one hand – even when they're fully loaded. Perfect when unloading shopping or introducing freshly prepared dishes to the fridge.



EASY LIFT DOOR STORAGE

Easily adjust door storage with just one hand. Combined with Easy Lift Shelves, your fridge space won't restrict your favourite foods and drink.



EASY ACCESS SHELF

The retractable glass shelf allows for easy loading and unloading as well as better access to your food. Ideal for putting the finishing touches to those delicate desserts.



BOTTLE RACK

Always have a chilled bottle on standby for those impromptu get-togethers.



VARIO SHELF

Designed to offer complete flexibility in your fridge, sectioned glass shelves can simply be separated and slid underneath when not in use. Ideal for larger dishes, with space left over for a convenient condiments storage area at the back.

Built Under Wine Cabinets



KU9213HGOG

American-Style Fridge Freezer



KA3923IEOG

BUILT UNDER WINE CABINETS				
Series	No of Shelves	Size	Energy	Model Number
N70	4	82x30	F	KU9202HF0G
N70	5	82x60	G	KU9213HGOG

USA STYLE SBS FRIDGE FREEZERS				
Series	No of Shelves	Size	Energy	Model Number
N70	5	179x91	E	KA3923IEOG

177cm Fridge Freezers



KI8865DEO

FRIDGE FREEZER - FREEZER CAVITY - NOFROST							
Series	No of Shelves	Home Connect	Size	Split	Energy	Hinge	Model Number
N90	-	✓	177x55	60/40	E	Soft Close	KI8865DEO
N70	-	-	177x55	60/40	F	Soft Close	KI7863DF0G
N50	3	✓	177x54	60/40	E	Fixed	KI7867FE0
N50	4	-	177x54	60/40	E	Fixed	KI7862FE0G
N50	4	-	177x54	60/40	E	Sliding	KI7862SE0G
N30	4	-	177x54	60/40	F	Fixed	KI7861FF0G
N30	4	-	177x54	60/40	F	Sliding	KI7861SF0G
N30	3	-	177x54	50/50	F	Fixed	KI7851FF0G
N30	3	-	177x54	50/50	F	Sliding	KI7851SF0G

RIDGE FREEZER - FREEZER CAVITY - LOWFROST							
Series	No of Shelves	Home Connect	Size	Split	Energy	Hinge	Model Number
N70	-	-	177x55.8	70/30	E	Fixed	KI6873FE0G
N70	-	-	177x55.8	60/40	E	Fixed	KI6863FE0G
N50	5	-	177x54	70/30	E	Fixed	KI5872FE0G
N50	5	-	177x54	70/30	E	Sliding	KI5872SE0G
N50	4	-	177x54	60/40	E	Sliding	KI5862SE0G
N30	4	-	177x54	70/30	F	Sliding	KI5871SF0G

177cm Single Door Fridges



KI2823FF0G

BUILT IN SINGLE DOOR FRIDGES							
Series	No of Shelves	Freezer Drawers	Home Connect	Size	Energy	Hinge	Model Number
N90	7	-	-	177x55	E	Soft Close	KI8816DE0G
N70	5	4* ice box	-	177x55	F	Fixed	KI2823FF0G
N70	7	-	-	177x55	E	Fixed	KI1813FE0G
N50	5	4* ice box	-	177x54	F	Sliding	KI2822SF0G
N50	7	-	-	177x54	F	Sliding	KI1812SF0G

177cm Single Door Freezers



GI7815CE0G

BUILT IN SINGLE DOOR FREEZERS							
Series	No of Shelves	Freezer Drawers	Home Connect	Size	Energy	Hinge	Model Number
N90	-	5	✓	177x55.8	E	Soft Close	GI7815CE0G
N70	-	5	-	177x55.8	F	Fixed	GI7813EF0G

140cm Single Door Fridge



KI1513FF0

BUILT IN SINGLE DOOR FRIDGE							
Series	No of Shelves	Freezer Drawers	Home Connect	Size	Energy	Hinge	Model Number
N70	6	-	-	140x55.8	F	Fixed	KI1513FF0

122cm Single Door Fridges



KI1413FD0

BUILT IN SINGLE DOOR FRIDGE					
Series	No of Shelves	Size	Energy	Hinge	Model Number
N70	6	122x55.8	D	Fixed	KI1413FD0
N70	6	122x55.8	F	Fixed	KI1413FFOG
N30	5	122x54	E	Sliding	KI1411SE0

87cm Single Door Freezers



GI1216DE0

BUILT IN SINGLE DOOR FREEZERS					
Series	Freezer Drawers	Size	Energy	Hinge	Model Number
N50	3	87x55.8	E	Soft Close	GI1216DE0
N50	3	87x54	E	Sliding	GI1212SE0G

122cm Single Door Freezer



GI7416CE0

BUILT IN SINGLE DOOR FREEZER					
Series	Freezer Drawers	Size	Energy	Hinge	Model Number
N70	5 including 1 BigBox	122x55.8	E	Soft Close	GI7416CE0

72cm Single Door Freezer



GI1113FE0

BUILT IN SINGLE DOOR FREEZERS					
Series	Freezer Drawers	Size	Energy	Hinge	Model Number
N50	3	72x55.8	E	Fixed	GI1113FE0

102cm Single Door Fridge



KI1536XFF0

BUILT IN SINGLE DOOR FRIDGE					
Series	No of Shelves	Size	Energy	Hinge	Model Number
N30	5	102x54	F	Fixed	KI1536XFF0

82cm Built Under Fridges



K4316XFF0G

BUILT UNDER SINGLE DOOR FRIDGES						
Series	No of Shelves	Freezer Drawers	Size	Energy	Hinge	Model Number
N50	-	4* ice box	82x59.8	F	Fixed	K4336XFF0G
N50	3	-	82x59.8	F	Fixed	K4316XFF0G

87cm Single Door Fridges



K1514XFOG

BUILT IN SINGLE DOOR FRIDGES					
Series	No of Shelves	Size	Energy	Hinge	Model Number
N70	4	87x55.8	D	Soft Close	KI1213DD0G
N30	4	87x54	F	Sliding	K1514XFOG

82cm Built Under Freezer



G4344XFF0G

BUILT UNDER SINGLE DOOR FREEZER					
Series	Freezer Drawers	Size	Energy	Hinge	Model Number
N50	3	82x59.8	F	Fixed	G4344XFF0G

Built Under Wine Cabinets



KU9202HF0G

KU9213HG0G

COLLECTION	N 70	N 70
MODEL NO.	KU9202HF0G	KU9213HG0G
DESIGN FEATURES		
Colour of door panels	Black	Black
Colour of side panels	Black	Black
Type of glass door	3 glass panels, UV-filtered	3 glass panels, UV-filtered
Door handle type	Vertical bar handle	Vertical bar handle
Temperature display	Interior / Digital LED	Interior / Digital LED
Reversible door, hinged on right	•	•
Home connect / Built in cameras		
KEY FEATURES – WINE CABINET SECTION		
Range of temperature (°C)	5 - 20	5 - 20
Temperature zones	1	2
LED light	LED	LED
Number of shelves	4	5
Number of bamboo shelves	3	3
Number of adjustable shelves		
LED lighting with soft start & presenter lighting	•	•
Capacity in 0.75l (Bordeaux bottles)	21	44
FUNCTIONS		
Door open warning signal/malfunction	•	•
Child lock	•	•
PERFORMANCE & CONSUMPTION		
Energy efficiency class	A F	A G
Energy consumption ¹ kWh/annum	100	130
Refrigerator net capacity L	56 l	108 l
Climate Class ²	SN-ST	SN-ST
Noise level dB (A) re 1 pW	38 dB	38 dB
Noise level class	C	C
Height of product mm	818	818
Width of product mm	298	598
Depth of product mm	567	581

Please ensure adequate ventilation is provided in plinth to allow air flow.

1. Actual energy consumption will depend on how the appliance is used and where it is located.
2. Climate zone ST = designed to operate in ambient temperature of +16°C to 38°C.
2. Climate zone SN = designed to operate in ambient temperature of +10°C to 32°C.

American-Style Fridge Freezer



KA3923IE0G

COLLECTION	N 70
MODEL NO.	KA3923IE0G
DESIGN FEATURES	
Colour of door panels	Stainless steel anti fingerprint
Colour of sides	Grey
Style of handle	vertical bar handle
Colour of handle	Stainless steel
NoFrost in fridge and freezer	•
Home Connect, Wi-Fi dongle included	-
FOOD FRESHNESS SYSTEM	
FreshSafe	2 x FreshSafe drawers on rails
KEY FEATURES – FRIDGE SECTION	
Product highlights	LED
Super Cool	•
Type of control	Electronic
Number of shelves	5
Number of adjustable shelves	-
Bottle shelves in fridge	•
Number of door bins / shelves	5
Temperature display	Digital
Warning signal door open	•
KEY FEATURES – FREEZER SECTION	
Door opened indicator	•
Super Freeze function	•
Temperature adjustable in freezer	•
Number of ice cube trays	Automatic ice cube maker
Ice dispenser features	Crushed ice, ice cubes, water, water filter
Number of freezer drawers	2
ADDITIONAL INFORMATION	
Energy efficiency class	A G
Energy consumption ¹ kWh/annum	324
Total net capacity L	562
Refrigerator net capacity L	371
Freezer net capacity L	191
Climate Class ²	SN-T
Noise level dB (A) re 1 pW	42 dB
Noise level class	D
Additional accessories included	1 x connection hose, 2 x egg tray
Height of product mm	1787
Width of product mm	908
Depth of product mm	707

1. Actual energy consumption will depend on how the appliance is used and where it is located.
2. Climate zone SN = designed to operate in ambient temperatures of +10°C to 32°C.
2. Climate zone T = designed to operate in ambient temperatures of +18°C to 43°C.



THE NEFF OVEN COLLECTIONS

HOB'S

VENTILATION

REFRIGERATION

DISHWASHING

LAUNDRY

Built-In Fridge Freezers

Built-in Bottom Freezers - No Frost



KI8865DE0
Home Connect



KI7863DFOG



KI7867FE0

Built-In Fridge Freezers



KI7862FE0G



KI7862SE0G



KI7861FF0G



KI7861SF0G

COLLECTION	N 90	N 70	N 50
MODEL NO.	KI8865DE0	KI7863DFOG	KI7867FE0
DESIGN FEATURES			
Fridge / Freezer split	60/40	60/40	60/40
No Frost	•	•	•
Low Frost			
Soft Close hinge	•	•	
Type of hinge (reversible)	Fixed hinge	Fixed hinge	Right (reversible)
Home Connect	•		
FOOD FRESHNESS SYSTEM			
FreshSafe	2 x FreshSafe 3 0° drawers	1 x FreshSafe 2 drawers	1 x FreshSafe 2 drawers
KEY FEATURES – FRIDGE SECTION			
Light	LED	LED	LED
Super Cool function	•	•	
Type of control	Electronic	Electronic	Electronic
Number of shelves	3	5	4
Number of adjustable shelves	2	4	3
Number of door bins / shelves	2	5	5
Type of shelves	Safety glass	Safety glass	Safety glass
Temperature display	Digital 7 segment	Digital 7 segment	
Warning signal door open	•	•	•
Bottle shelves in fridge	•	•	
XXL MultiBox veg drawer			
KEY FEATURES – FREEZER SECTION			
Door opened indicator	•	•	•
Super Freeze function	•	•	•
Temperature adjustable in freezer	•	•	•
Number of ice cube trays	1	1	1
Number of freezer drawers	3	3	3
ADDITIONAL INFORMATION			
Energy efficiency class			
Energy consumption ¹	kWh/annum 252	277	234
Total net capacity	L 223	254	260
Refrigerator net capacity 4°C - 8°C	L 156	187	184
Refrigerator net capacity 0°C	L 55	76	76
Freezer net capacity	L 67	67	76
Climate class ²	SN-ST	SN-ST	SN-ST
Noise level (dB(A) re 1 pW)	36 dB	39 dB	35 dB
Noise level class	C	C	B
Additional accessories included	2 x egg trays, 1 x ice cube tray, 1 x bottle holder in door tray	2 x ice packs, 2 x egg trays, 1 x ice cube tray	2 x egg trays, 1 x ice cube tray
Height of product	mm 1772	1772	
Width of product	mm 558	558	
Depth of product	mm 545	545	

N 50	N 50	N 30	N 30
KI7862FE0G	KI7862SE0G	KI7861FF0G	KI7861SF0G
60/40	60/40	60/40	60/40
•	•	•	•
Right (reversible)	Right (reversible)	Right (reversible)	Right (reversible)
FOOD FRESHNESS SYSTEM			
1 x FreshSafe drawers			
KEY FEATURES – FRIDGE SECTION			
LED	LED	LED	LED
Electronic	Electronic	Electronic	Electronic
4	4	4	4
3	3	3	3
3	1	1	1
Safety glass	Safety glass	Safety glass	Safety glass
•	•	•	•
•	•	•	•
•	•	•	•
1	1	1	1
3	3	3	3
ADDITIONAL INFORMATION			
234	234	293	293
260	260	260	260
184	184	184	184
76	76	76	76
76	76	76	76
SN-ST	SN-ST	SN-ST	SN-ST
35 dB	35 dB	39 dB	39 dB
B	B	C	C
2 x egg trays, 1 x ice cube tray	2 x egg trays, 1 x ice cube tray	2 x egg trays, 1 x ice cube tray	2 x egg trays, 1 x ice cube tray
		1770	1770
		545	545

1. Actual energy consumption will depend on how the appliance is used and where it is located.
 2. Climate zone SN = designed to operate in ambient temperature of +10°C to 32°C.
 2. Climate zone T = designed to operate in ambient temperature of +18°C to 43°C.

THE NEFF OVEN COLLECTIONS
HOBS
VENTILATION
REFRIGERATION
DISHWASHING
LAUNDRY

Built-In Fridge Freezers

Built-In Fridge Freezers - No Frost



KI7851FF0G



KI7851SF0G

COLLECTION	N 30	N 30
MODEL NO.	KI7851FF0G	KI7851SF0G
DESIGN FEATURES		
Fridge / Freezer split	50/50	50/50
No Frost	•	•
Low Frost		
Soft Close hinge		
Type of hinge (reversible)	Right (reversible)	Right (reversible)
Home Connect		
FOOD FRESHNESS SYSTEM		
FreshSafe	1 x FreshSafe drawers	1 x FreshSafe drawers
KEY FEATURES – FRIDGE SECTION		
Light	LED	LED
Super Cool function		
Type of control	Electronic	Electronic
Number of shelves	3	3
Number of adjustable shelves	2	2
Number of door bins / shelves	1	1
Type of shelves	Safety glass	Safety glass
Temperature display		
Warning signal door open	•	•
Bottle shelves in fridge		
XXL MultiBox veg drawer		
KEY FEATURES – FREEZER SECTION		
Door opened indicator	•	•
Super Freeze function	•	•
Temperature adjustable in freezer	•	•
Number of ice cube trays	1	1
Number of freezer drawers	4	4
ADDITIONAL INFORMATION		
Energy efficiency class		
Energy consumption ¹ kWh/annum	298	298
Total net capacity L	249	249
Refrigerator net capacity 4°C - 8°C L	150	150
Refrigerator net capacity 0°C L		
Freezer net capacity L	99	99
Climate class ²	SN-ST	SN-ST
Noise level (dB(A) re 1 pW)	39 dB	39 dB
Noise level class	C	C
Additional accessories included	2 x egg trays, 1 x ice cube tray	2 x egg trays, 1 x ice cube tray
Height of product mm	1770	1770
Width of product mm		
Depth of product mm	545	545

Built-In Fridge Freezers

Built-In Fridge Freezers - Low Frost



KI6873FE0G



KI6863FE0G

COLLECTION	N 70	N 70
MODEL NO.	KI6873FE0G	KI6863FE0G
DESIGN FEATURES		
Fridge / Freezer split	70/30	60/40
No Frost		
Low Frost	Low Frost	Low Frost
Soft Close hinge		
Type of hinge (reversible)	Fixed hinge	Fixed hinge
Home Connect		
FOOD FRESHNESS SYSTEM		
FreshSafe	1 x FreshSafe 2 drawers	1 x FreshSafe 2 drawers
KEY FEATURES – FRIDGE SECTION		
Light	LED	LED
Super Cool function	•	•
Type of control	Electronic	Electronic
Number of shelves	5	4
Number of adjustable shelves	4	4
Number of door bins / shelves	5	5
Type of shelves	Safety glass	Safety glass
Temperature display	Digital 7 segment	Digital 7 segment
Warning signal door open	•	•
Bottle shelves in fridge	•	•
XXL MultiBox veg drawer		
KEY FEATURES – FREEZER SECTION		
Door opened indicator	•	•
Super Freeze function	•	•
Temperature adjustable in freezer	•	•
Number of ice cube trays	1	1
Number of freezer drawers	2	3
ADDITIONAL INFORMATION		
Energy efficiency class		
Energy consumption ¹ kWh/annum	207	219
Total net capacity L	272	266
Refrigerator net capacity 4°C - 8°C L	209	192
Refrigerator net capacity 0°C L		
Freezer net capacity L	63	74
Climate class ²	SN-T	SN-ST
Noise level (dB(A) re 1 pW)	36 dB	36 dB
Noise level class	C	C
Additional accessories included	2 x egg trays, 1 x ice cube tray, 1 x bottle holder indoor tray	2 x egg trays, 1 x ice cube tray, 1 x bottle holder in door tray
Height of product mm	1772	1772
Width of product mm	558	558
Depth of product mm	545	545

1. Actual energy consumption will depend on how the appliance is used and where it is located.
2. Climate zone SN = designed to operate in ambient temperature of +10°C to 32°C.
2. Climate zone T = designed to operate in ambient temperature of +18°C to 43°C.

THE NEFF OVEN COLLECTIONS
HOBS
VENTILATION
REFRIGERATION
DISHWASHING
LAUNDRY

Built-In Fridge Freezers

Built-In Fridge Freezers - Low Frost



KI5872FE0G



KI5872SE0G

COLLECTION	N 50	N 50
MODEL NO.	KI5872FE0G	KI5872SE0G
DESIGN FEATURES		
Fridge / Freezer split	70/30	70/30
No Frost		
Low Frost	Low Frost	Low Frost
Soft Close hinge		
Type of hinge (reversible)	Fixed hinge	Sliding hinge
Home Connect		
FOOD FRESHNESS SYSTEM		
FreshSafe	1 x FreshSafe drawer	1 x FreshSafe drawer
KEY FEATURES – FRIDGE SECTION		
Light	LED	LED
Super Cool function		
Type of control	Electronic	Electronic
Number of shelves	5	5
Number of adjustable shelves	4	4
Number of door bins / shelves	4	4
Type of shelves	Safety glass	Safety glass
Temperature display	digital LED	digital LED
Warning signal door open		
Bottle shelves in fridge		
KEY FEATURES – FREEZER SECTION		
Door opened indicator		
Super Freeze function	•	•
Temperature adjustable in freezer		
Number of ice cube trays	1	1
Number of freezer drawers	2	2
ADDITIONAL INFORMATION		
Energy efficiency class		
Energy consumption ¹ kWh/annum	216	216
Total net capacity L	270	270
Refrigerator net capacity 4°C - 8°C L	200	200
Refrigerator net capacity 0°C L		
Freezer net capacity L	70	70
Climate class ²	SN-ST	SN-ST
Noise level (dB(A) re 1 pW)	35 dB	35 dB
Noise level class	B	B
Additional accessories included	2 x egg trays, 1 x ice cube tray	2 x egg trays, 1 x ice cube tray
Height of product mm	1772	1772
Width of product mm	541	541
Depth of product mm	545	545

Built-In Fridge Freezers



KI5862SE0G



KI5871SF0G

COLLECTION	N 50	N 30
MODEL NO.	KI5862SE0G	KI5871SF0G
DESIGN FEATURES		
Fridge / Freezer split	60/40	70/30
No Frost		
Low Frost	Low Frost	Low Frost
Soft Close hinge		
Type of hinge (reversible)	Sliding hinge	Sliding hinge
Home Connect		
FOOD FRESHNESS SYSTEM		
FreshSafe	1 x FreshSafe drawer	1 x FreshSafe drawer
KEY FEATURES – FRIDGE SECTION		
Light	LED	LED
Super Cool function		
Type of control	Electronic	Electronic
Number of shelves	4	5
Number of adjustable shelves	3	4
Number of door bins / shelves	4	4
Type of shelves	Safety glass	Safety glass
Temperature display	digital LED	digital LED
Warning signal door open		
Bottle shelves in fridge		
KEY FEATURES – FREEZER SECTION		
Door opened indicator		
Super Freeze function	•	•
Temperature adjustable in freezer		
Number of ice cube trays	1	1
Number of freezer drawers	3	2
ADDITIONAL INFORMATION		
Energy efficiency class		
Energy consumption ¹ kWh/annum	229	270
Total net capacity L	269	270
Refrigerator net capacity 4°C - 8°C L	184	200
Refrigerator net capacity 0°C L		
Freezer net capacity L	85	70
Climate class ²	SN-ST	SN-ST
Noise level (dB(A) re 1 pW)	35 dB	39 dB
Noise level class	B	C
Additional accessories included	2 x egg trays, 1 x ice cube tray	2 x egg trays, 1 x ice cube tray
Height of product mm	1772	1772
Width of product mm	541	541
Depth of product mm	545	545

1. Actual energy consumption will depend on how the appliance is used and where it is located.
2. Climate zone SN = designed to operate in ambient temperature of +10°C to 32°C.
2. Climate zone T = designed to operate in ambient temperature of +18°C to 43°C.

Built-In Single Door Fridges & Freezers



KI8816DE0G



KI2823FF0G



KI1813FE0G



KI2822SF0G



KI1812SF0G



GI7815CE0G
Home Connect



GI7813EF0G

COLLECTION	N 90	N 70	N 70
MODEL NO.	KI8816DE0G	KI2823FF0G	KI1813FE0G
DESIGN FEATURES			
No Frost			
Low Frost or Manual defrost			
Soft Close hinge	•		
Type of hinge (reversible)	Fixed hinge	Fixed hinge	Fixed hinge
Home Connect			
FOOD FRESHNESS SYSTEM			
FreshSafe	3 x FreshSafe 3 0° drawers	1 x FreshSafe 2 drawers on telescopic rails, 1 x FreshSafe drawer on telescopic rails	1 x FreshSafe 2 drawers on telescopic rails, 1 x FreshSafe drawer on telescopic rails
KEY FEATURES – FRIDGE SECTION			
Light	LED	LED	LED
Super Cool function	•	•	•
Type of control	Electronic	Electronic	Electronic
Number of shelves	7	5	7
Number of adjustable shelves	6	4	6
Number of door bins / shelves	5	5	6
Type of shelves	Safety glass	Safety glass	Safety glass
Temperature display	digital 7 segment	digital 7 segment	digital 7 segment
Warning signal door open	•	•	•
Defrost system in fridge	Automatic	Automatic	Automatic
Bottle shelves in fridge	•	•	•
KEY FEATURES – FREEZER SECTION			
Light in freezer			
Door opened indicator			
Super Freeze function			
Temperature adjustable in freezer			
Number of ice cube trays		1	
Number of freezing flaps		1	
Number of freezer drawers			
ADDITIONAL INFORMATION			
Energy efficiency class			
Energy consumption ¹ kWh/annum	150	222	115
Total net capacity including 0°C drawers L	289	286	319
Refrigerator net capacity 0°C L	83		
Freezer net capacity L		34	
Climate class ²	SN-T	SN-ST	SN-T
Noise level (dB(A) re 1 pW)	37 dB	36 dB	37 dB
Noise level class	C	C	C
Additional accessories included	2 x egg trays, 1 x bottle holder in door tray	2 x egg trays, 1 x ice cube tray	2 x egg trays
Height of product mm	1772	1772	1772
Width of product mm	558	558	558
Depth of product mm	545	545	545

N 50	N 50	N 90	N 70
KI2822SF0G	KI1812SF0G	GI7815CE0G	GI7813EF0G
DESIGN FEATURES			
Sliding hinge	Sliding hinge	• Fixed hinge	• Fixed hinge
FOOD FRESHNESS SYSTEM			
2 x FreshSafe drawers	2 x FreshSafe drawers		
KEY FEATURES – FRIDGE SECTION			
LED	LED		
•	•		
Electronic	Electronic		
5	7		
4	6		
5	6		
Safety glass	Safety glass		
digital LED	digital LED		
Automatic	Automatic		
KEY FEATURES – FREEZER SECTION			
		•	•
		•	•
		•	•
1		1	1
1		2	2
		5	5
ADDITIONAL INFORMATION			
222	144	235	294
286	319	212	212
34		212	212
SN-ST	SN-T	SN-T	SN-T
39 dB	37 dB	35 dB	36 dB
C	C	B	C
2 x egg trays, 1 x ice cube tray	2 x egg trays	1 x ice cube tray	1 x ice cube tray
1772	1772	1772	1772
541	541	558	558
545	545	545	545

1. Actual energy consumption will depend on how the appliance is used and where it is located.
 2. Climate zone SN = designed to operate in ambient temperature of +10°C to 32°C.
 2. Climate zone T = designed to operate in ambient temperature of +18°C to 43°C.

THE NEFF OVEN COLLECTIONS
 HOBS
 VENTILATION
 REFRIGERATION
 DISHWASHING
 LAUNDRY

Built-in Single Door Fridges & Freezers



KI1513FF0



KI1413FD0



KI1413FF0G



KI1411SE0



GI7416CE0

COLLECTION	N 70	N 70
MODEL NO.	KI1513FF0	KI1413FD0
DESIGN FEATURES		
No Frost		
Low Frost or Manual defrost		
Soft Close hinge		•
Type of hinge (reversible)	Fixed hinge	Fixed hinge
Home Connect		
FOOD FRESHNESS SYSTEM		
FreshSafe	1 x FreshSafe 2 drawer	1 x FreshSafe 2 drawer
KEY FEATURES – FRIDGE SECTION		
Light	LED	LED
Super Cool function	•	•
Type of control	Electronic	Electronic
Number of shelves	6	6
Number of adjustable shelves	5	5
Number of door bins / shelves	5	4
Type of shelves	Safety glass	Safety glass
Temperature display	digital 7 segment	digital 7 segment
Warning signal door open	•	•
Defrost system in fridge	Automatic	Automatic
Bottle shelves in fridge	•	•
KEY FEATURES – FREEZER SECTION		
Light in freezer		
Door opened indicator		
Super Freeze function		
Temperature adjustable in freezer		
Number of ice cube trays		
Number of freezing flaps		
Number of freezer drawers		
ADDITIONAL INFORMATION		
Energy efficiency class		
Energy consumption ¹ kWh/annum	133	81
Total net capacity including 0°C drawers L	247 l	211
Refrigerator net capacity 0°C L		
Freezer net capacity L		
Climate class ²	SN-T	SN-T
Noise level (dB(A) re 1 pW)	33 dB	34 dB
Noise level class	B	B
Additional accessories included	2 x egg tray	2 x egg tray
Height of product mm	1397	1221
Width of product mm	558	558
Depth of product mm	545	545

N 70	N 30	N 70
KI1413FF0G	KI1411SE0	GI7416CE0
DESIGN FEATURES		
No Frost		•
Low Frost or Manual defrost		
Soft Close hinge		•
Type of hinge (reversible)	Fixed hinge	Sliding hinge
Home Connect		
FOOD FRESHNESS SYSTEM		
FreshSafe	1 x FreshSafe 2 drawer	1 x vegetable drawer
KEY FEATURES – FRIDGE SECTION		
Light	LED	
Super Cool function	•	
Type of control	Electronic	Mechanical
Number of shelves	6	6
Number of adjustable shelves	5	5
Number of door bins / shelves	4	4
Type of shelves	Safety glass	Safety glass
Temperature display	digital 7 segment	
Warning signal door open	•	
Defrost system in fridge	Automatic	Automatic
Bottle shelves in fridge	•	
KEY FEATURES – FREEZER SECTION		
Light in freezer		
Door opened indicator		
Super Freeze function		
Temperature adjustable in freezer		
Number of ice cube trays		•
Number of freezing flaps		•
Number of freezer drawers		•
		1
		1
		5
ADDITIONAL INFORMATION		
Energy efficiency class		
Energy consumption ¹ kWh/annum	123	129
Total net capacity including 0°C drawers L	211	221
Refrigerator net capacity 0°C L		83
Freezer net capacity L		
Climate class ²	SN-T	SN-T
Noise level (dB(A) re 1 pW)	34 dB	37 dB
Noise level class	B	C
Additional accessories included	2 x egg tray	1 x egg trays
Height of product mm	1221	1221
Width of product mm	558	541
Depth of product mm	545	542
		1 x ice cube tray
		1221
		558
		545

1. Actual energy consumption will depend on how the appliance is used and where it is located.
 2. Climate zone SN = designed to operate in ambient temperature of +10°C to 32°C.
 2. Climate zone T = designed to operate in ambient temperature of +18°C to 43°C.

Built-in Single Door Fridges & Freezers



K1536XFF0



K1213DD0G



K1514XFOG



G1216DE0



G1212SE0G

COLLECTION	N 30	N 70
MODEL NO.	K1536XFF0	K1213DD0G
No Frost		
Low Frost or Manual defrost		
Soft Close hinge		
Type of hinge (reversible)	Fixed hinge	Fixed hinge
FOOD FRESHNESS SYSTEM		
FreshSafe	1 x Vegetable drawer	1 x FreshSafe 2 drawers
KEY FEATURES - FRIDGE SECTION		
Light	1 x 25 Watt	LED
Super Cool function		•
Type of control	Mechanical	Electronic
Number of shelves	5	4
Number of adjustable shelves	4	3
Number of door bins / shelves	4	3
Type of shelves	Safety glass	Safety glass
Temperature display		digital 7 segment
Warning signal door open		•
Defrost system in fridge	Automatic	Automatic
Bottle shelves in fridge		•
KEY FEATURES - FREEZER SECTION		
Door opened indicator		
Super Freeze function		
Temperature adjustable in freezer		
Number of ice cube trays		
Number of freezing flaps		
Number of freezer drawers		
ADDITIONAL INFORMATION		
Energy efficiency class	A G	A D
Energy consumption ¹ kWh/annum	123	75
Total net capacity including 0°C drawers L	181	144
Freezer net capacity L	181	
Climate class ²	SN-ST	SN-T
Noise level (dB(A) re 1 pW)	37 dB	33 dB
Noise level class	C	B
Additional accessories included	1 x egg tray	2 x egg trays
Height of product mm	1021	874
Width of product mm	541	558
Depth of product mm	542	545

	N 30	N 50	N 50
	K1514XFOG	G1216DE0	G1212SE0G
		•	•
		•	
Sliding hinge		Fixed hinge	Sliding hinge
	1 x Vegetable drawer		
	1 x 25 Watt		
	Mechanical		
	4		
	3		
	4		
	Safety glass		
	Automatic		
		•	•
		•	•
		•	•
		1	1
		0	0
		3	4
	A G	A E	A E
	118	176	178
	150	96	102
		96	
	SN-ST	SN-T	SN-T
	37 dB	36 Db	38 Db
	C	C	C
	1 x butter dish	1 x ice cube tray	1 x ice cube tray
	874	874	874
	541	558	541
	542	545	542

1. Actual energy consumption will depend on how the appliance is used and where it is located.
 2. Climate zone SN = designed to operate in ambient temperature of +10°C to 32°C.
 2. Climate zone T = designed to operate in ambient temperature of +18°C to 43°C.

Built-Under Single Door Fridges & Freezer



K4336XFF0G



K4316XFF0G



G4344XFF0G



G1113FE0

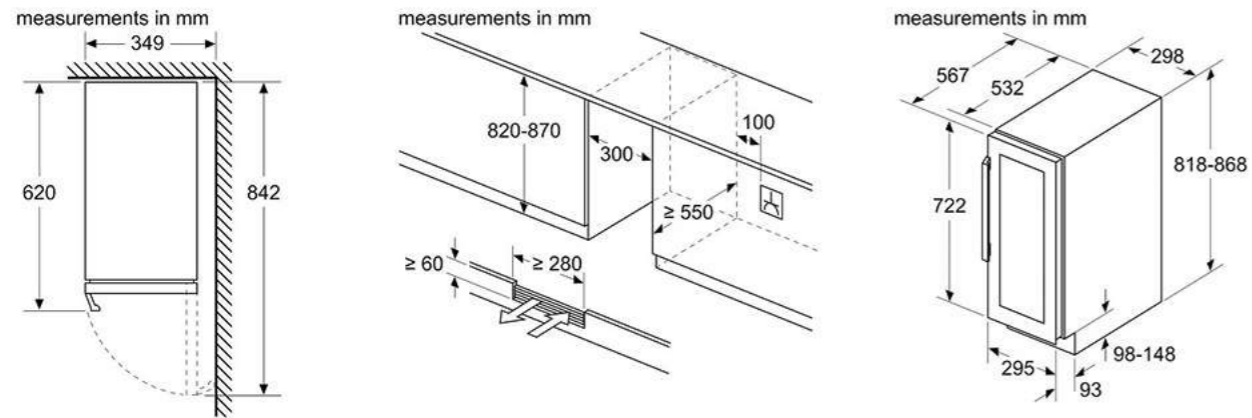
COLLECTION	N 50	N 50
MODEL NO.	K4336XFF0G	K4316XFF0G
No Frost		
Low Frost or Manual defrost		
Soft Close hinge		
Type of hinge (reversible)	Fixed hinge	Fixed hinge
Home Connect		
FOOD FRESHNESS SYSTEM		
FreshSafe	2 x Vegetable drawers	2 x Vegetable drawers
KEY FEATURES – FRIDGE SECTION		
Light	LED	LED
Super Cool	•	
Type of control	Electronic	Mechanical
Number of shelves	2	3
Number of adjustable shelves	1	2
Number of door bins / shelves	3	3
Type of shelves	Safety glass	Safety glass
Temperature display	digital 7 segment	
Warning signal door open		
Defrost system in fridge	Automatic	Automatic
Bottle shelves in fridge		
ADDITIONAL INFORMATION		
Energy efficiency class	A F	A F
Energy consumption ¹ kWh/annum	180	114
Total net capacity including 0° drawers L	123	137
Freezer net capacity L	15	
Climate Class ²	SN-ST	SN-ST
Noise level (dB [A] re 1 pW)	38 dB	38 dB
Noise level class	C	C
Additional accessories included	1 x egg tray	1 x egg tray
Height of product mm	820	820
Width of product mm	598	598
Depth of product mm	548	548

COLLECTION	N 50	N 50
MODEL NO.	G1113FE0	G1113FE0
DESIGN FEATURES		
No Frost		
Low Frost or Manual defrost	Manual	Low Frost
Soft Close hinge		
Type of hinge (reversible)	Fixed hinge	Fixed hinge
Key features – Freezer section		
Light in freezer		
Door opened indicator	•	•
Super Freeze function	•	•
Temperature adjustable in freezer	•	•
Number of ice cube trays	1	1
Number of freezing flaps		
Number of freezer drawers	3	3
ADDITIONAL INFORMATION		
Energy efficiency class	A F	A E
Energy consumption ¹ kWh/annum	224	167
Total net capacity including 0°C drawers L	106	72
Refrigerator net capacity 0°C L	106	72
Freezer net capacity L	SN-ST	SN-T
Climate class ²	38 dB	36 dB
Noise level (dB(A) re 1 pW)	C	C
Additional accessories included	1 x ice cube tray	1 x ice cube tray
Height of product mm	820	712
Width of product mm	598	558
Depth of product mm	548	560

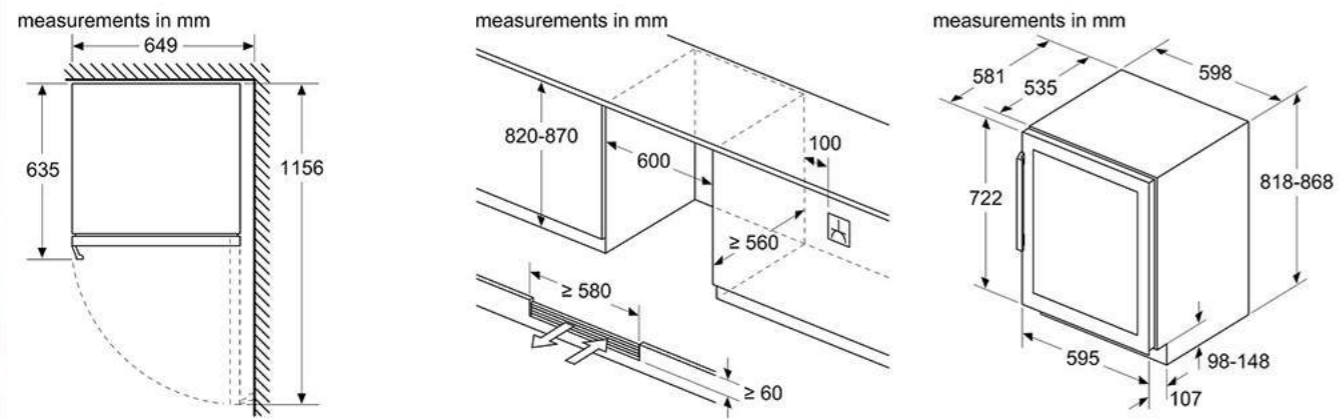
1. Actual energy consumption will depend on how the appliance is used and where it is located.
 2. Climate zone SN = designed to operate in ambient temperature of +10°C to 32°C.
 2. Climate zone T = designed to operate in ambient temperature of +18°C to 43°C.

Wine Coolers

KU9202HF0G

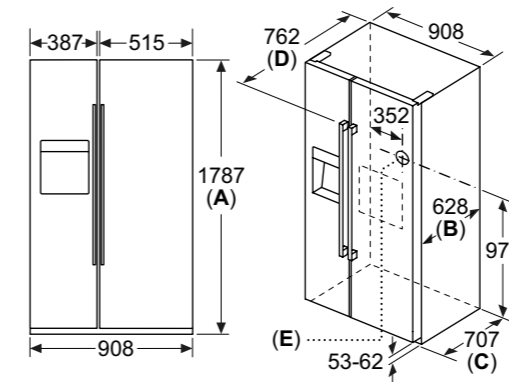


KU9213HG0G



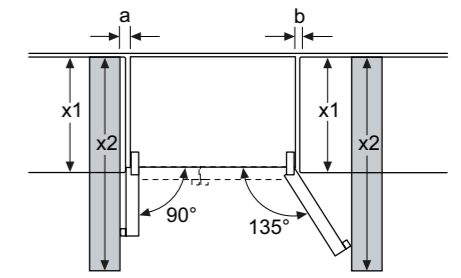
American-Style Fridge Freezer

KA3923IE0G



Specifications

A	Front is adjustable from 1783 to 1792	
B	Cabinet depth	
C	Depth incl. door, without handle	
D	Depth incl. door, with handle	
E	Water connection to the appliance	

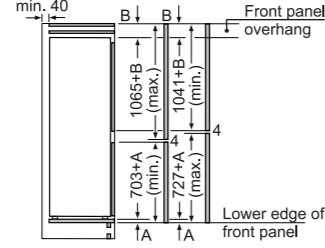
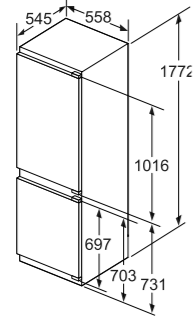


x 1 (unit depth)	a	b
600	0	0
650	20	25
700	20	76

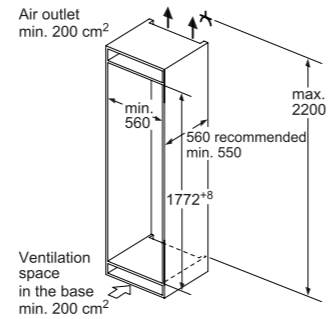
x 2 (wall)

Built-In Fridge Freezers

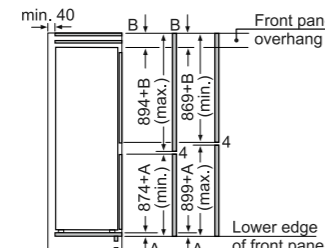
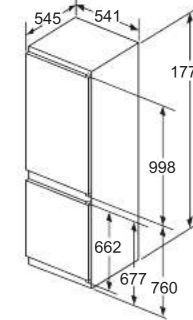
KI8865DE0,
KI7863DF0G



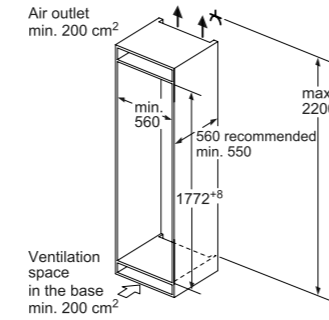
The specified unit door dimensions are valid for a door gap of 4 mm.



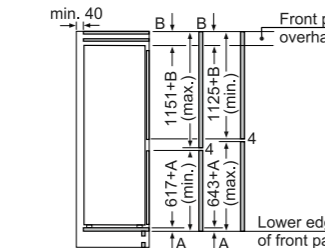
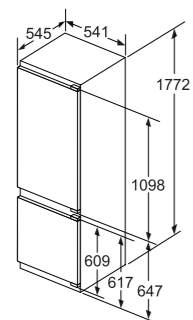
KI7862SF0G



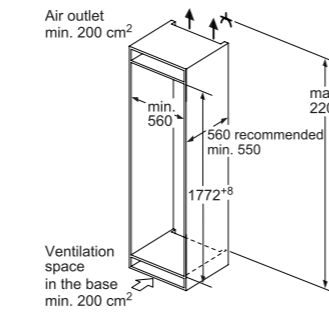
The specified unit door dimensions are valid for a door gap of 4 mm.



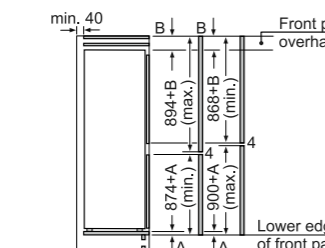
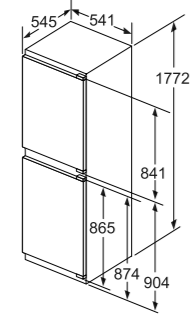
KI6873FE0G,



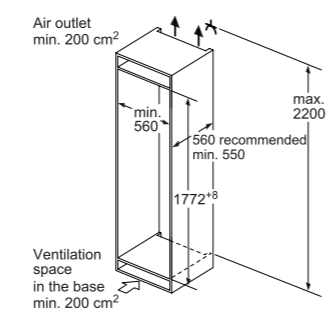
The specified unit door dimensions are valid for a door gap of 4 mm.



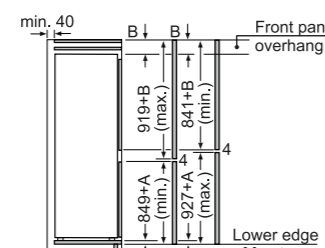
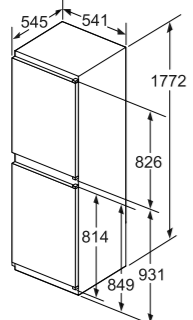
KI5852FF0G



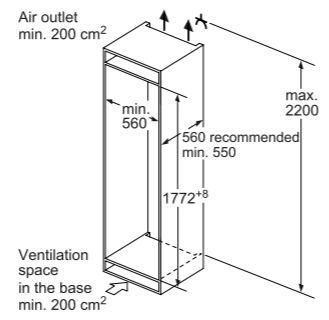
The specified unit door dimensions are valid for a door gap of 4 mm.



KI5852SF0G

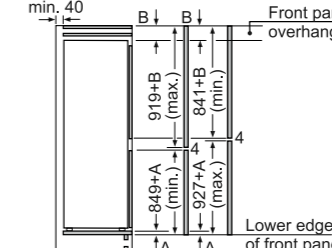
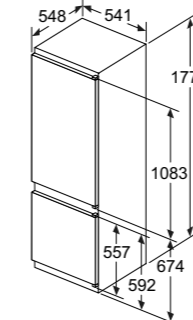


The specified unit door dimensions are valid for a door gap of 4 mm.

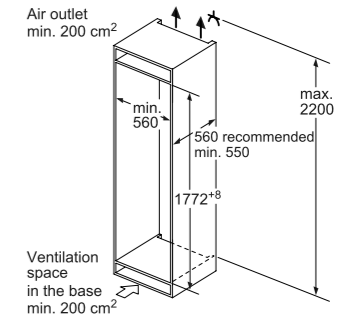


Built-In Fridge Freezers

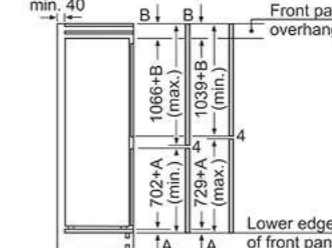
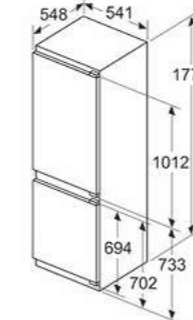
KI5871SF0G



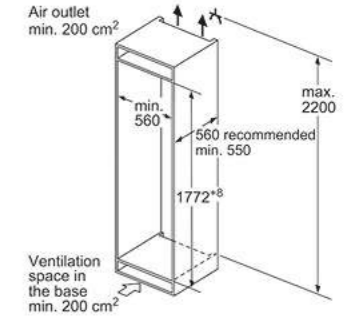
The specified unit door dimensions are valid for a door gap of 4 mm.



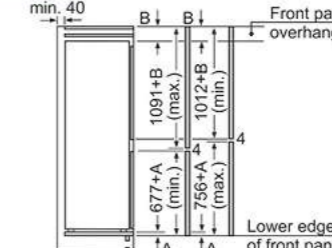
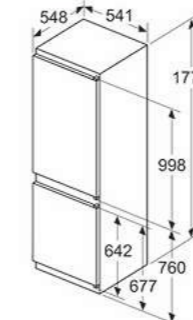
KI7862FE0G,
KI7867FE0



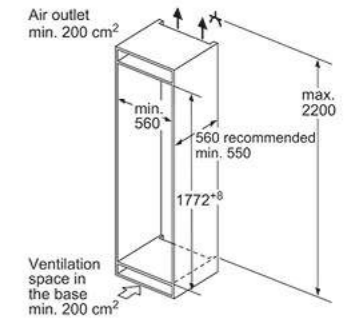
The specified unit door dimensions are valid for a door gap of 4 mm.



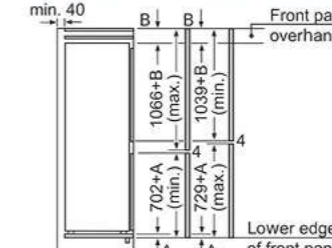
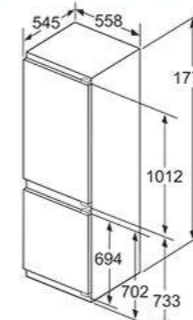
KI7862SE0G



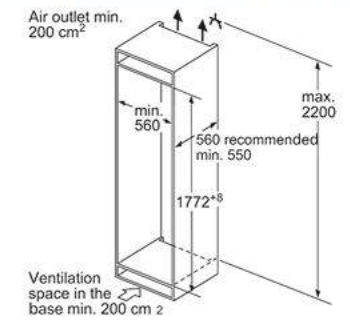
The specified unit door dimensions are valid for a door gap of 4 mm.



KI6863FE0G



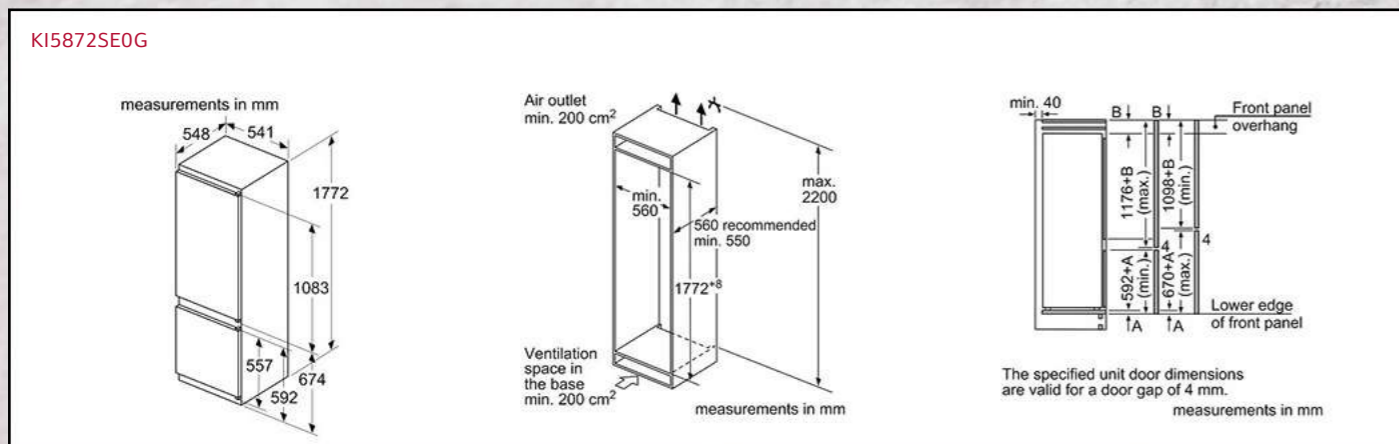
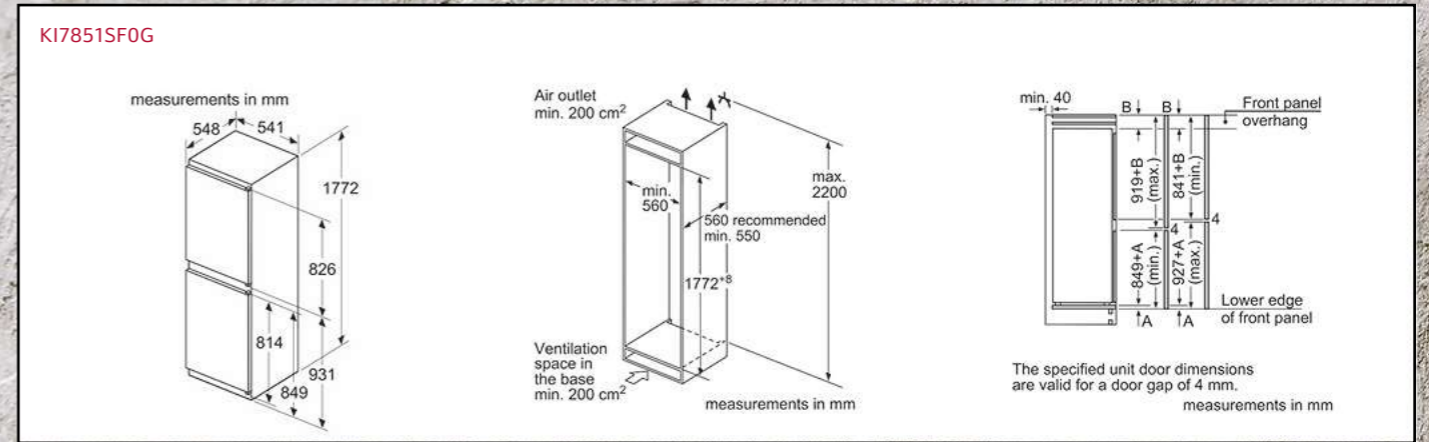
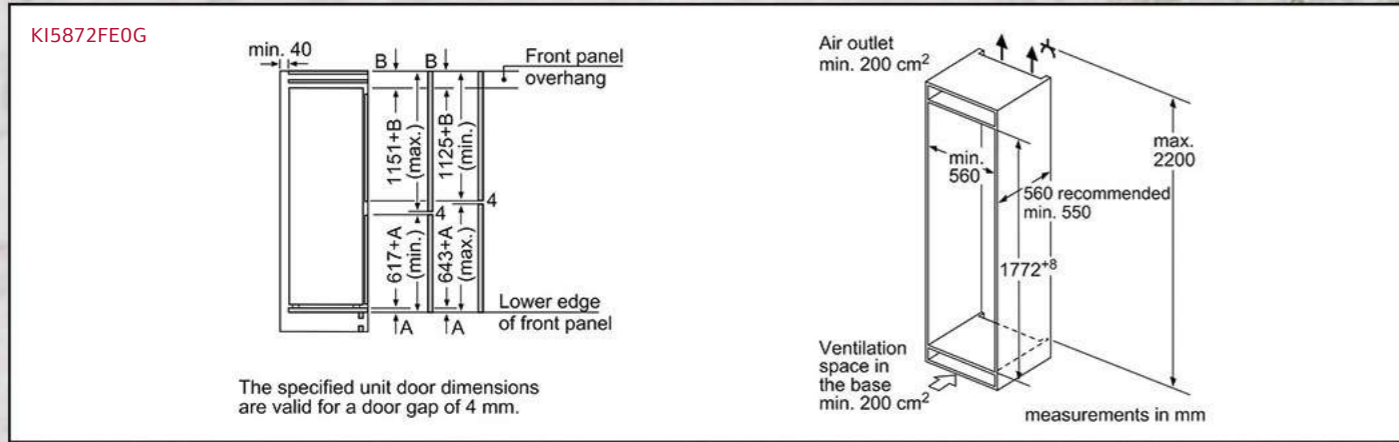
The specified unit door dimensions are valid for a door gap of 4 mm.



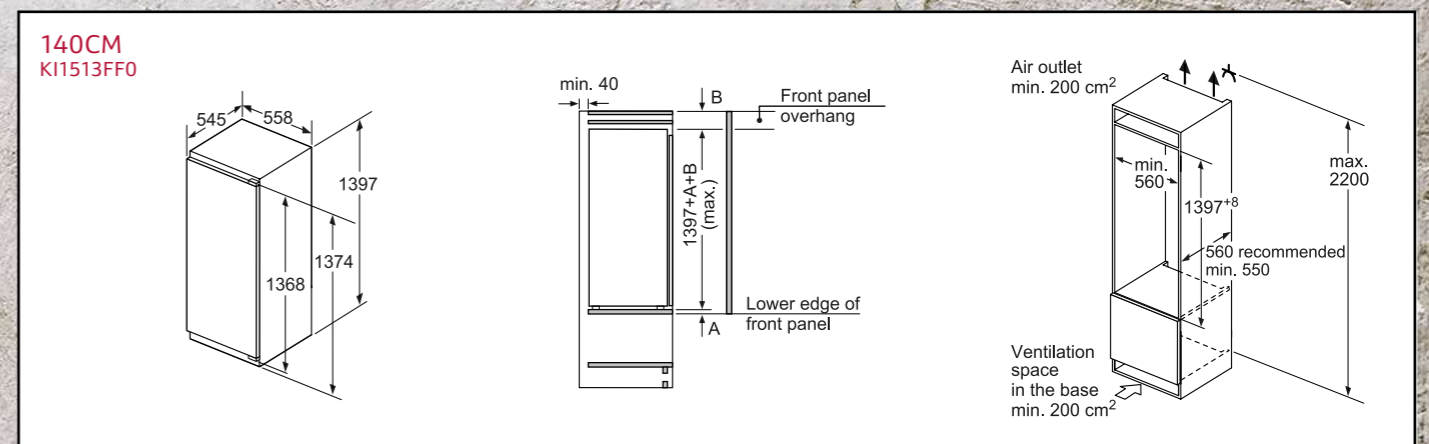
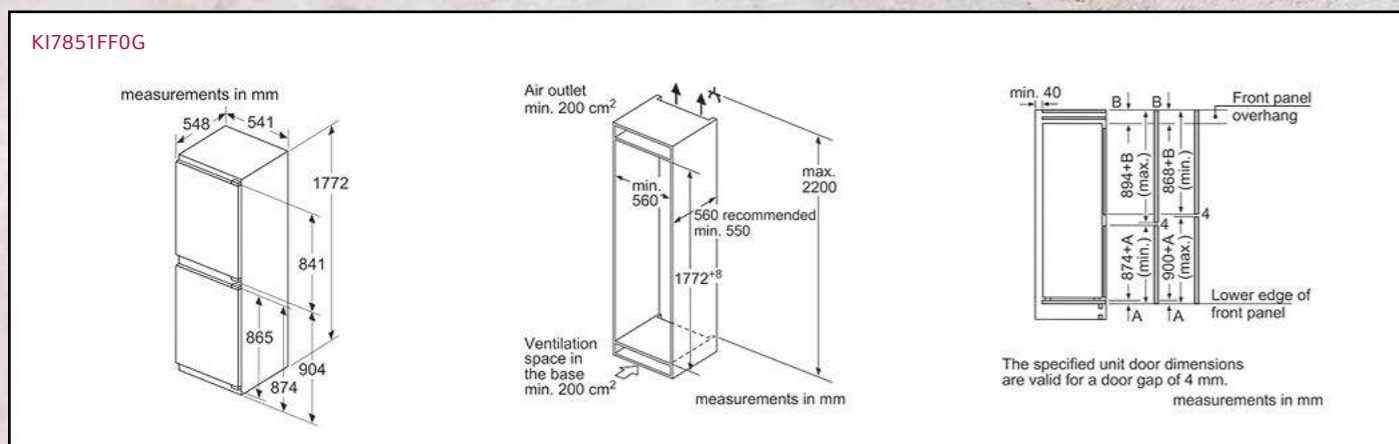
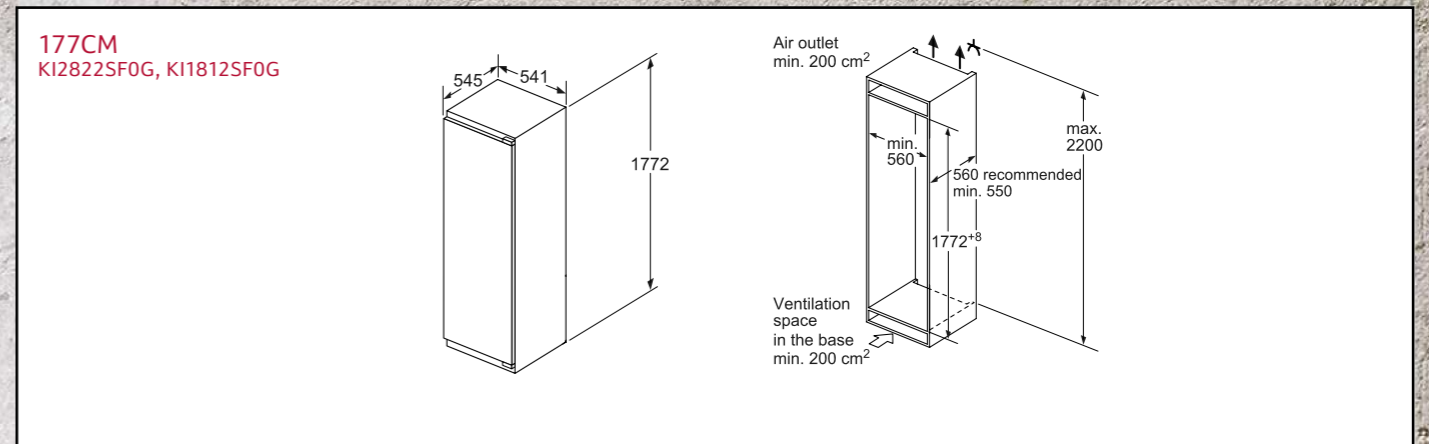
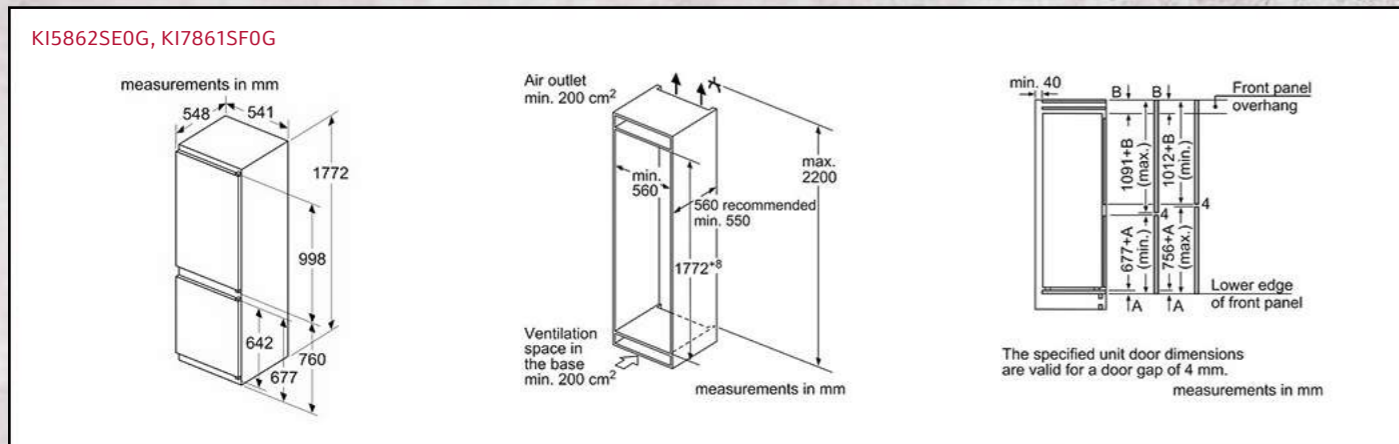
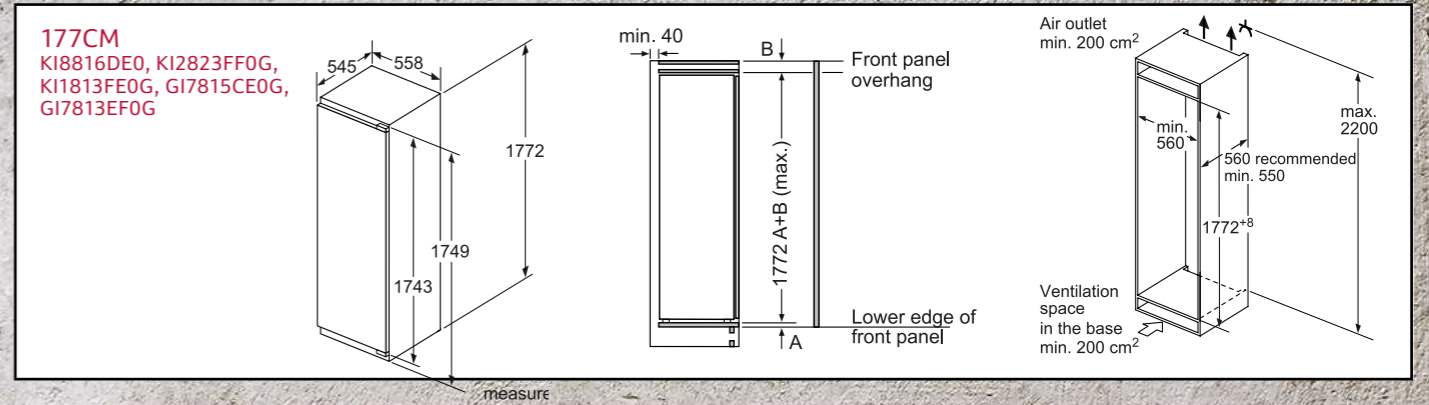
Measurements in mm. The line drawings featured in this brochure are provided as a guide to general dimensions only and are subject to amendment without prior notice. For full dimensional and installation details please refer to the documentation supplied with the appliance.

THE NEFF OVEN COLLECTIONS
HOBS
VENTILATION
REFRIGERATION
DISHWASHING
LAUNDRY

Built-In Fridge Freezers

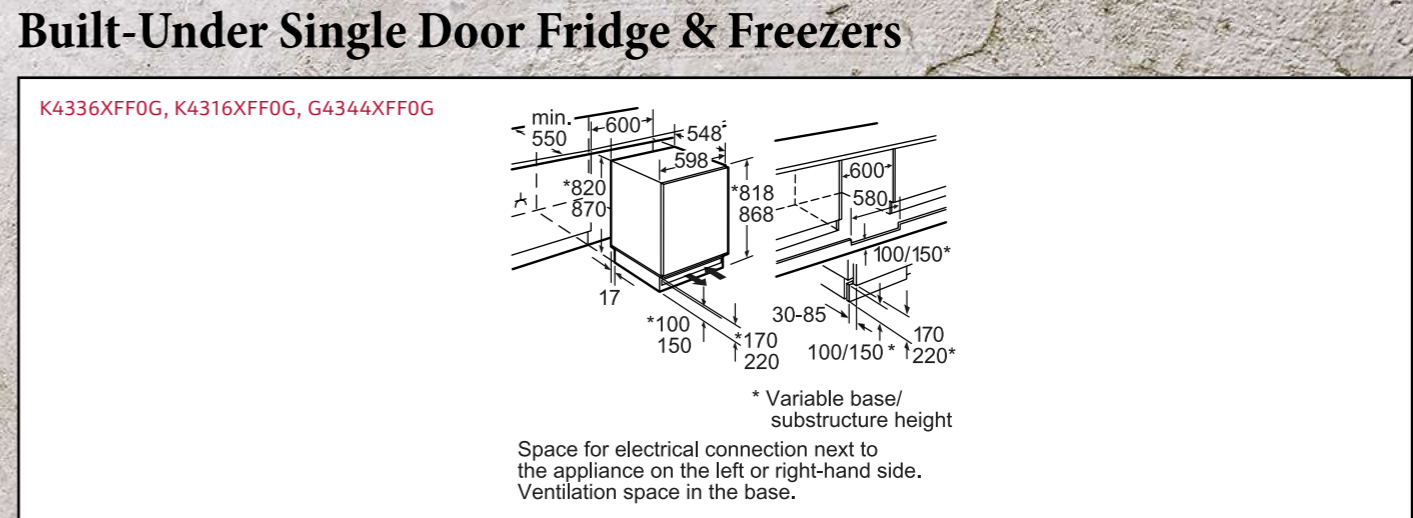
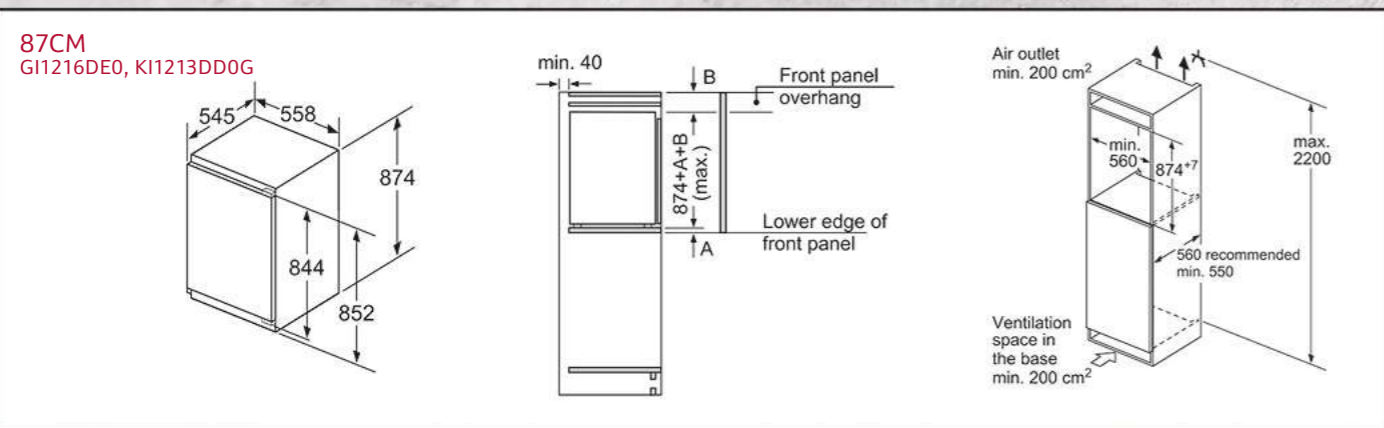
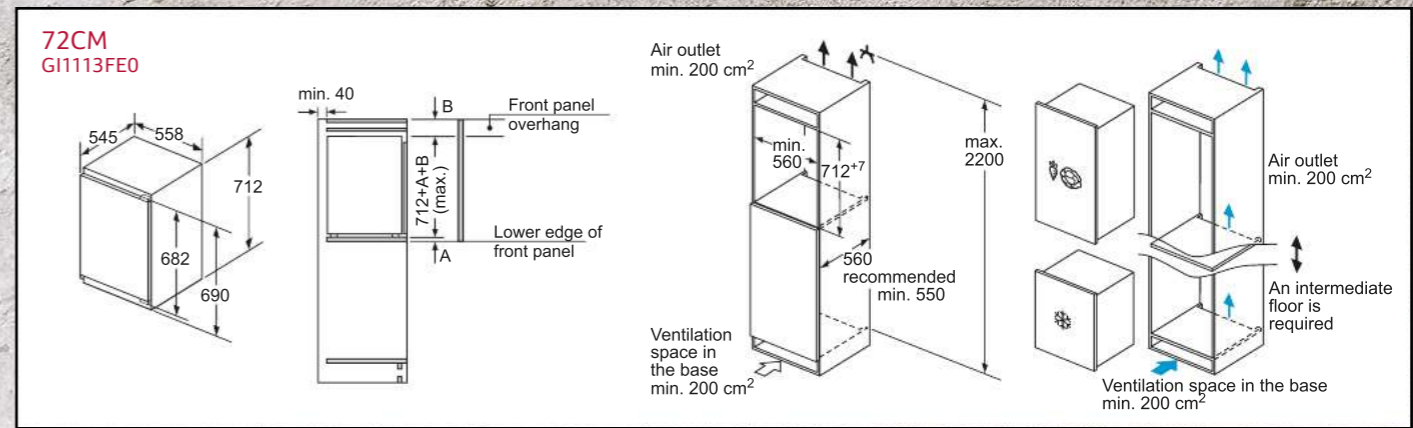
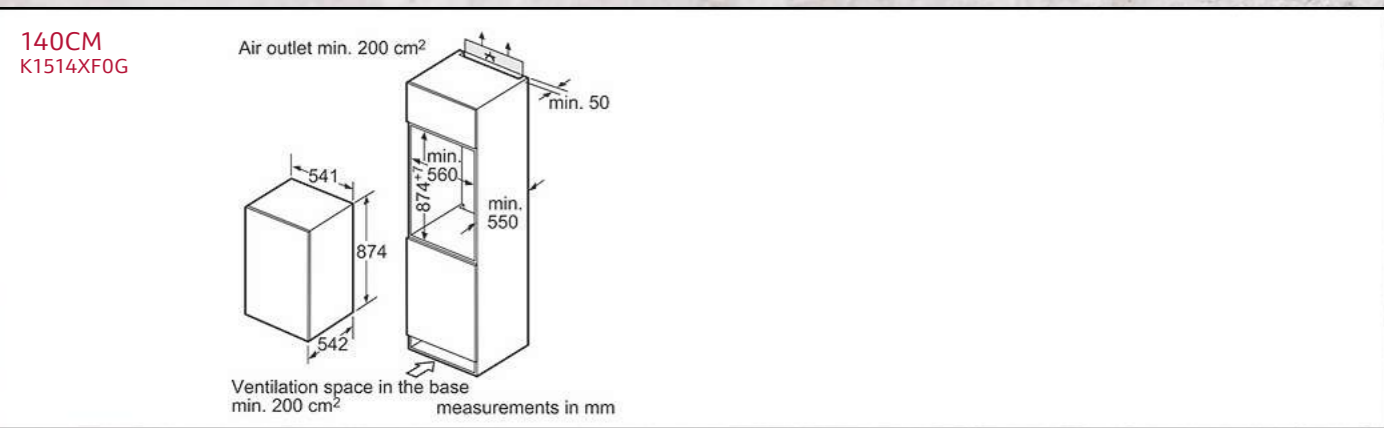
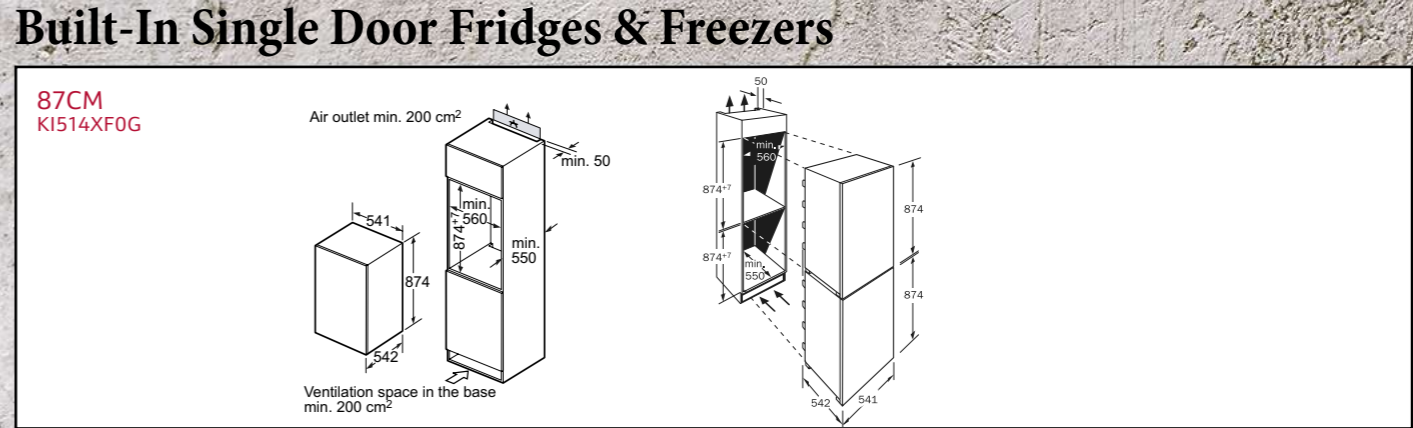
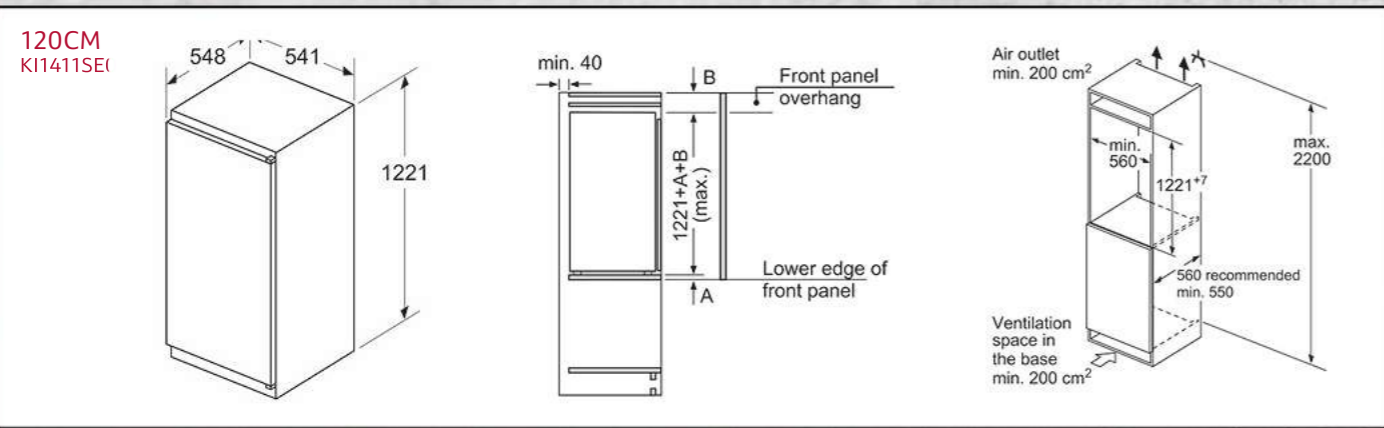
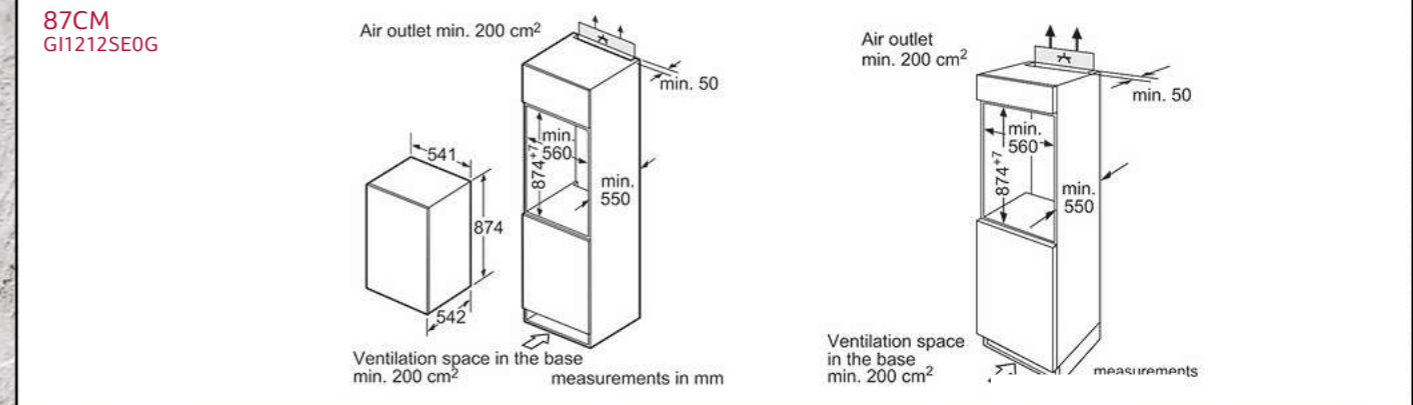
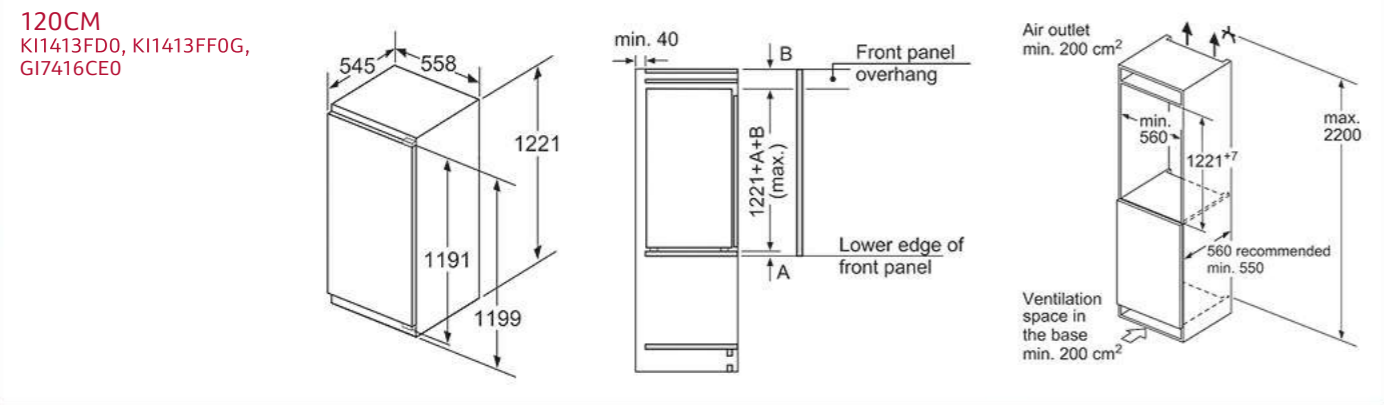


Built-In Single Door Fridges & Freezers



Measurements in mm. The line drawings featured in this brochure are provided as a guide to general dimensions only and are subject to amendment without prior notice. For full dimensional and installation details please refer to the documentation supplied with the appliance.

Built-In Single Door Fridges & Freezers

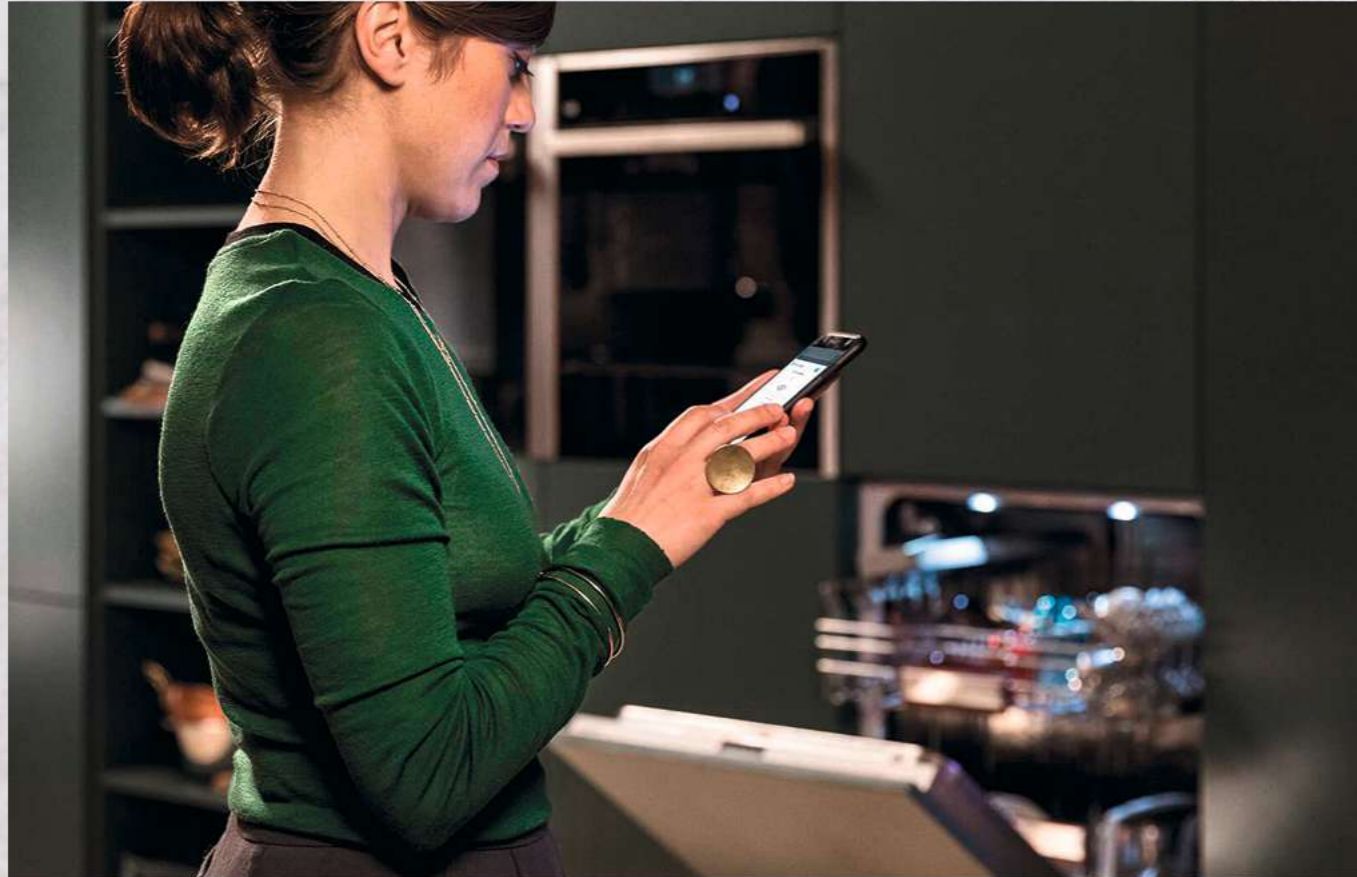


THE NEFF OVEN COLLECTIONS
HOBS
VENTILATION
REFRIGERATION
DISHWASHING
LAUNDRY

Your Guide To Dishwashers

Clean dishes, whatever your wishes

Choosing the right appliance to complement your kitchen and lifestyle can be challenging. To help you select the perfect kitchen companion, we've introduced easy-to-follow Collections based on product features, technology, design and simplicity. There's a Collection to suit everyone.



Full Size Dishwashers

Designed to be as flexible and accommodating as possible, our full-sized dishwashers have adjustable baskets and racks to hold large or awkward items, as well as a choice of wash cycles, from intensive to delicate.



Featured model:
S187ZCX43G
N70 60cm Fully
Integrated
Dishwasher

Slimline Dishwashers

Where space is an issue, our SlimLine model S875HKX20G is ideal. Just 45cm wide, it fits into the smallest of spaces, but still offers all the features of a full size model. It's surprisingly roomy and able to cope with nine place settings at a time.



Featured model:
S875HKX20G N50
45cm Fully Integrated
Dishwasher

Feature Highlights

- All dishwasher models come with Home Connect
- Water consumption – 60cm width 9.5L/45cm width 8.5L
- 10 year anti-rust warranty
- Noise level 42 -48dB

The models from the collections can include:

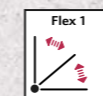
SERIES FUNCTIONS				
Product Function	N 90*	N 70*	N 50*	N 30*
Flex 2 Baskets	•	•	•	-
Flex 1 Baskets	-	-	-	•
Flex Cutlery Drawer	•	•	•	•
Number of Options	6	5	5	5
Timelight / Infolight	•/-	•/-	•/•	-/•
DoorOpen Assist	•	•	•	-
Open Dry	•	•	-	-
White EmotionLight	•	•	-	-
Zeolith	•	•	-	-
Intelligent	•	-	-	-
Gap Illumination	-	-	•	-
Vario Hinge	-	-	•	-

*The features included in each collection are an overview only. Please ensure you check the product detail for exact features of each model.

Dishwasher Flexibility

Flex Baskets

Fitting casserole dishes, large pans, full dinner sets and tall-stem wine glasses into a dishwasher can be a challenge – especially when you're cleaning your most robust cookware alongside delicate items. Our Flex Baskets are designed to accommodate those bulkier items and provide an even, thorough clean. We have two options of basket flexibility to choose from.



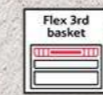
Flex 1

Two foldable elements in the top and bottom rack provide the freedom to adapt the basket for different loadings.



Flex 2

Two foldable flip tines in the top basket and 4 foldable flip tines in the bottom basket offer quick and easy loading flexibility for safe positioning of glasses, cups, pots and pans.



Flex Cutlery Drawer

Transform your third loading level into a versatile cutlery drawer. It handily clicks into place whenever you need a tailor-made space for your forks, knives, and small kitchen utensils.



Rack-Matic

Allows the top basket to be raised and lowered as needed as well as run on an angle to cater for the wine glasses at the end of the night.

N90 Range of Appliances

Touch Control with TFT Display



FULLY INTEGRATED DISHWASHER 60CM WIDTH						
Description	Place Settings	No of Programmes	Water Consumption	Noise Level	DoorOpen Assist	Model Number
Intelligent dishwasher with Zeolith Drying and TimeLight function	14	8	9.5L/2660L	43dB	✓	S189YCX02E

N70 Range of Appliances

Touch Control with LED Display



FULLY INTEGRATED DISHWASHER 60CM WIDTH						
Description	Place Settings	No of Programmes	Water Consumption	Noise Level	DoorOpen Assist	Model Number
Dishwasher with Zeolith Drying and Open Dry function	14	6	9.5L	43dB	Yes	S187TC800E
Dishwasher with Zeolith Drying and TimeLight function	13	8	7.7L	44dB	Yes	S187ZCX43G
Dishwasher with Open Dry function and Timelight	14	8	9.5L	42dB	Yes	S187ECX23G

N50 Range of Appliances

Backlit Push Button Control with LED Display



FULLY INTEGRATED DISHWASHER 60CM WIDTH							
Description	Place Settings	No of Programmes	Water Consumption	Noise Level	VarioHinge	DoorOpen Assist	Model Number
Dishwasher with Cutlery Drawer and Gap Illumination	14	6	9.5L	46dB	✓	✓	S195HCX26G
Dishwasher with Cutlery Drawer and TimeLight	14	6	9.5L	46dB			S155HCX27G
Dishwasher with TimeLight function	13	6	9.5L	46dB			S155HAX27G
Dishwasher with Cutlery Drawer and InfoLight function	13	6	9.5L	46dB			S155HVX15G

FULLY INTEGRATED DISHWASHER 45CM WIDTH							
Description	Place Settings	No of Programmes	Water Consumption	Noise Level	VarioHinge	DoorOpen Assist	Model Number
Slimline Dishwasher with InfoLight	9	6	8.5L	46dB	✓		S875HKX20G

N30 Range of Appliances

Toggle Control with LED Display



FULLY INTEGRATED DISHWASHER 60CM WIDTH					
Features	Place Settings	No of Programmes	Water Consumption	Noise Level	Model
Dishwasher with Flex Cutlery Drawer and InfoLight function	14	5	9.5L	48dB	S153HCX02G
Dishwasher with InfoLight function	13	5	9.5L	48dB	S153HAX02G
Dishwasher with Polinox base and InfoLight function	12	5	10.5L	48dB	S153ITX05G

Accessories					Model Number
Decor strip - For full size Polinox base models, 81.5cm height					Z7861X1
Decor strip - For full size and slimline Stainless Steel base models, 81.5cm height					Z7860X0
Decor strip - For full size Stainless Steel base models, 86.5cm height					Z7861X0
Decor strip - For full size Stainless Steel base models installed off the ground, 81.5cm height					Z7860X3
Decor strip - For full size Stainless Steel base models installed off the ground, 86.5cm height					Z7861X3

Key Functions Guide

Design Features



AQUA STOP

Protects inlet and outlet hoses from leakage. A safety valve prevents any more water from entering the dishwasher and overflowing – even when the machine is off.



OPEN DRY

No need to manually open the door of your dishwasher to allow the load to cool off. Open Dry takes care of that by opening the door automatically during the drying phase.



INFO LIGHT

Info Light projects a red light onto the floor that showcases clearly that this dishwasher is in operation. Info Light is available for fully integrated dishwashers.



HEAT EXCHANGER

Ensures that the drying phase of programmes is energy efficient and glassware is fully protected by preventing extreme temperatures.



DOOR OPEN ASSIST

Door Open Assist is the perfect solution for anybody looking to achieve a sleek, handleless design in their kitchen. Simply press lightly on the front of the unit to open the dishwasher door. Ideal for a range of integrated designs, Door Open Assist is also a convenient addition to busy kitchens. Electronic child lock can be activated, creating a double push to open.



ZEOLITH

A form of mineral, Zeolith has the ability to absorb moisture and turn it in to heat. The heat produced naturally by Zeolith is used during the drying cycle, ensuring that no additional energy is needed to dry your cookware. With the ability to absorb moisture, your glasses will come out steam free and will be cool enough to handle. Automatically activated by programmes with a drying phase, Zeolith regenerates itself and lasts a lifetime, so you don't have to maintain it.



GAP ILLUMINATION

Gap Illumination shines a soft white light on the side of the dishwasher to indicate the dishwasher is running. If you pause the cycle or open the door, the light will start blinking. This feature is available across Vario Hinge models.



TIME LIGHT

Time Light projects the remaining time as well as the ongoing process of the programme on any type of kitchen floor. Time Light is available for fully integrated dishwashers and washing machines.



VARIO HINGE

Vario Hinge attaches your furniture front to the door of the fully integrated dishwasher, regardless of whether it's on the floor or in a high cabinet. Vario Hinge smoothly lifts the furniture front above the plinth and base.



EMOTION LIGHT

LED lights in the front edge light up the dishwasher cavity.



GLASS CARE SYSTEM

Your dishwasher has a thing for delicate glassware, so it fine-tunes the water hardness to protect your glassware with never-ending care. A combination of the Glass 40° programme and Extra Shine option will clean your items impeccably without worry. With the introduction of anti-slip surfaces, silicon inserts and supports within Flex 2 baskets your glassware has never been more protected.

Programmes



FAVOURITE

Choose a programme, option, or combination on your dishwasher and save it as "Favourite", either via your Home Connect app or directly on the dishwasher.



1 HOUR 65°

No need to stack your dinner or party dishes for hours, simply load the dishwasher again. This function cleans and dries dishes in only 60 minutes. Spend more quality time with family and friends while enjoying food and tales using your favourite tableware.



EASY CLEAN

Give your dishwasher a deep clean with the new Easy Clean programme. Simply run the high temperature setting together with some dishwasher cleaner in an empty machine to remove limescale and grease from inside the cavity.



EXTRA SPEED

Depending on the selected programme you can reduce the running time of your dishwasher's programme to up to 66%. Make more of your quality time and enjoy optimum cleaning and drying results – while Extra Speed takes care of the load up to three times faster.



POWER ZONE

Activates higher wash temperatures and increases spray arm pressure in the bottom basket, while maintaining a more gentle wash in the top basket.



SILENCE

'Silence on demand' whenever you wish for peace and calm select this option via the Home Connect app. On activation the cycle will pause for 30 minutes. You have the flexibility to restart the cycle at anytime if you wish, after 30 minutes the programme will resume.



AUTOMATIC PROGRAMMES

Take the worry out of selecting exactly the right programme and let the machine do it for you. Automatically changes settings to ensure you get the best clean for your load.



CHEF 70°C

With a hotter setting and a powerful spray, the Chef 70° programme is perfect for cleaning even the dirtiest pots, pans and cooking utensils. Items placed in the lower basket are subject to higher spray pressures, eliminating the need for soaking and effectively removing even the most stubborn stains.



EXTRA SHINE

By increasing the amount of water during the rinse cycle and extending the drying phase, water marks are prevented and the drying result is further improved.

EXTRA HYGIENE

Provides a hotter final rinse, with 70°C water for 10 minutes, to effectively cleanse items such as chopping boards and cooking utensils*.

Special Functions

10-YEAR, ANTI-RUST WARRANTY

Due to advanced materials and manufacturing technologies, in addition to our standard appliance warranty, we're able to provide a free-of-charge warranty against the rusting-through of the dishwasher's inner cavity.

*Please note this programme does not sterilise.

Fully Integrated Dishwashers



S189YCX02E Home Connect



S187TC800E Home Connect



S187ZCX43G Home Connect



S187ECX23G Home Connect



S195HCX26G Home Connect

APPLIANCE TYPE	60CM FULLY INTEGRATED	
COLLECTION	N 90	N 70
MODEL NO.	S189YCX02E	S187TC800E
Control Panel	Grey	Grey
Height (cm) / Hinge Type	81.5 / Fixed	81.5 / Fixed
Design Features		
Drying system	Zeolith / Open Dry	Zeolith / Open Dry
Home Connect WiFi connectivity	●	●
Control panel type	Touch control + LED	
Basket description	Flex 2	Flex 3
Flex Cutlery Drawer (3rd loading level)	●	●
Status indicator	Time Light (White)	Time Light (White)
Door open assist	●	●
Glass care technology	●	●
Anti-slip protection and stemware support upper basket	●	●
Adjustable upper basket	Rack Matic 3-stage	
Number of flip tines in upper / lower basket	6 / 6	
Cup shelves upper / lower baskets	2 / 2	
Cutlery holder lower basket		
Largest loadable dish upper / lower basket (cm)	21 / 31	
Load / Aqua sensor	●	
Real-time clock	●	
Start delay time max hours	24	
Emotion light (interior lighting)	●	●
End of cycle indicator	Acoustic	
Salt / Rinse aid light indicator	●/●	
Self cleaning filter system	●	
Flood protection system	AquaStop	
Safety features	Door lock	
PROGRAMMES / FUNCTIONS		
List of programmes	Eco 50 °C, Auto 45-65 °C, Chef 70 °C, Classic 60 °C, Express 45 °C, Glass 40 °C, Silence 50 °C, Favourite, Easy Clean	
Additional special options	Remote Start, Extra Shine, Power Zone, Extra Hygiene, Extra Speed	
TECHNICAL SPECIFICATIONS		
Reference programme for measurements	Eco 50 °C	
Energy efficiency class ¹	A	
Energy ² / water ³ : kWh / litres	65 / 9.5/2660L	/ 9.5 /
Load capacity (place settings)	14	14
Programme duration ⁴ : h:min	3:55	
Noise level: dB (A) re 1 pW	43	43
Noise efficiency class	B	
Noise level (silence programme): dB (A) re 1 pW	41	
Length of electrical supply cord (cm)	175	
Length inlet / outlet hose (cm)	165 / 190	
Maximum height for installation (mm)	875	
Maximum height adjustability feet (mm)	60	
Maximum width for installation (mm)	600	
Height of the product (mm)	815	
Width / Depth of the product (mm)	598 / 550	
Net weight / Gross weight (kg)	44 / 46	
Water softener ⁵	●	
Maximum accepted water hardness (°DH)	50	
Maximum temperature for water intake (°C)	60	
Interior cavity	Stainless steel	
Included accessories	Steam protection plate	

60CM FULLY INTEGRATED		
N 70	N 70	N 50
S187ZCX43G	S187ECX23G	S195HCX26G
Control Panel	Grey	Stainless steel
Height (cm) / Hinge Type	81.5 / Fixed	81.5 / Vario Hinge
Design Features		
Drying system	Zeolith	Heat exchanger / Open Dry
Home Connect WiFi connectivity	●	●
Control panel type	Touch control + LED	Touch control + LED
Basket description	Flex 2	Flex 2
Flex Cutlery Drawer (3rd loading level)	●	●
Status indicator	Time Light (White)	Time Light (White)
Door open assist	●	●
Glass care technology	●	●
Anti-slip protection and stemware support upper basket	●	●
Adjustable upper basket	Rack Matic 3-stage	Rack Matic 3-stage
Number of flip tines in upper / lower basket	6 / 6	6 / 6
Cup shelves upper / lower baskets	2 / 2	2 / 2
Cutlery holder lower basket		
Largest loadable dish upper / lower basket (cm)	21 / 31	21 / 31
Load / Aqua sensor	●	●
Real-time clock	●	●
Start delay time max hours	24	24
Emotion light (interior lighting)	●	●
End of cycle indicator	Acoustic	Acoustic
Salt / Rinse aid light indicator	●/●	●/●
Self cleaning filter system	●	●
Flood protection system	AquaStop	AquaStop
Safety features	Door lock	Door lock
PROGRAMMES / FUNCTIONS		
List of programmes	Eco 50 °C, Auto 45-65 °C, Chef 70 °C, Classic 60 °C, Express 45 °C, Glass 40 °C, Silence 50 °C, Favourite, Easy Clean	Eco 50 °C, Auto 45-65 °C, Chef 70 °C, Classic 60 °C, Express 45 °C, Glass 40 °C, Silence 50 °C, Favourite, Easy Clean
Additional special options	Remote Start, Extra Shine, Power Zone, Extra Speed	Remote Start, Extra Dry, Power Zone, Extra Speed
TECHNICAL SPECIFICATIONS		
Reference programme for measurements	Eco 50 °C	Eco 50 °C
Energy efficiency class ¹	C	D
Energy ² / water ³ : kWh / litres	74 / 7.7	85 / 9.5
Load capacity (place settings)	13	14
Programme duration ⁴ : h:min	3:45	4:35
Noise level: dB (A) re 1 pW	44	42
Noise efficiency class	B	B
Noise level (silence programme): dB (A) re 1 pW	42	39
Length of electrical supply cord (cm)	175	175
Length inlet / outlet hose (cm)	165 / 190	165 / 190
Maximum height for installation (mm)	875	875
Maximum height adjustability feet (mm)	60	60
Maximum width for installation (mm)	600	600
Height of the product (mm)	815	815
Width / Depth of the product (mm)	598 / 550	598 / 550
Net weight / Gross weight (kg)	35 / 38	42 / 45
Water softener ⁵	●	●
Maximum accepted water hardness (°DH)	50	50
Maximum temperature for water intake (°C)	60	60
Interior cavity	Stainless steel	Stainless steel
Included accessories	Large item spray head, including Steam protection plate	Large item spray head, including Steam protection plate

All of our dishwashers have Aqua Stop water protection, detergent aware, Dosage Assist and a door lock as standard. All NEFF dishwashers are suitable for use with doors from 2.5kg-8.5kg apart from SlimLine S875HX20G (2.5kg to 7.5kg) and VarioHinge models S195HCX26G and S295HCX26G (4.5kg to 11.0kg) if the correct door springs are installed.

• Yes, model has this feature

¹ On an energy-efficiency class scale from A to G

² Energy consumption in kWh/100 operating cycles (using Eco programme)

³ Water consumption in litres/operating cycle (using Eco programme)

⁴ Duration of Eco programme

⁵ We would recommend our dishwashers are connected to the mains water supply where possible. However, they may also be connected to an external water softener as long as the water softener produces softened water of less than 1.1 mmo/litre (7.0°e) and the water softener in the appliance is turned off. Please contact product advice for further information. Water pressure required: 0.5-10 Bar. Flow rate: 10 litres per minute. Inlet valve connected directly to 3/4" screwed joint. Data valid in this table as of April 2022. Subject to modification without prior notice.

Fully Integrated Dishwashers



S155HCX27G Home Connect



S155HAX27G Home Connect



S155HVX15G Home Connect



S153HCX02G Home Connect



S153HAX02G Home Connect



S153ITX05G Home Connect

APPLIANCE TYPE	60CM FULLY INTEGRATED	
COLLECTION	N 50	N 50
MODEL NO.	S155HCX27G	S155HAX27G
Control Panel	Stainless steel	Stainless steel
Height (cm) / Hinge Type	81.5 / Fixed	81.5 / Fixed
Design Features		
Drying system	Heat exchanger	Heat exchanger
Home Connect WiFi connectivity	●	●
Control panel type	Push buttons + LED	Push buttons + LED
Basket description	Flex 2	Flex 2
Flex Cutlery Drawer (3rd loading level)	●	●
Status indicator	Time Light (White)	Time Light (White)
Door open assist		
Glass care technology	●	●
Anti-slip protection and stemware support upper basket	●	●
Adjustable upper basket	Rack Matic 3-stage	Rack Matic 3-stage
Number of flip tines in upper / lower basket	6 / 6	6 / 6
Cup shelves upper / lower baskets	2 / 2	2 / 2
Cutlery holder lower basket	●	●
Largest loadable dish upper / lower basket (cm)	21 / 31	27 / 31
Load / Aqua sensor	●	●
Real-time clock		
Start delay time max hours	24	24
Emotion light (interior lighting)		
End of cycle indicator	Acoustic	Acoustic
Salt / Rinse aid light indicator	● / ●	● / ●
Self cleaning filter system	●	●
Flood protection system	AquaStop	AquaStop
Safety features	Door lock	Door lock
PROGRAMMES / FUNCTIONS		
List of programmes	Eco 50 °C, Auto 45-65 °C, Chef 70 °C, Classic 60 °C, Glass 40 °C, Favourite, Easy Clean	Eco 50 °C, Auto 45-65 °C, Chef 70 °C, Classic 60 °C, Glass 40 °C, Favourite, Easy Clean
Additional special options	Remote Start, Extra Dry, Power Zone, Extra Speed	Remote Start, Extra Dry, Power Zone, Extra Speed
TECHNICAL SPECIFICATIONS		
Reference programme for measurements	Eco 50 °C	Eco 50 °C
Energy efficiency class ¹		
Energy ² / water ³ : kWh / litres	85 / 9.5	84 / 9.5
Load capacity (place settings)	14	13
Programme duration ⁴ : h:min	4:55	4:55
Noise level: dB (A) re 1 pW	46	46
Noise efficiency class	C	C
Noise level (silence programme): dB (A) re 1 pW		
Length of electrical supply cord (cm)	175	175
Length inlet / outlet hose (cm)	165 / 190	165 / 190
Maximum height for installation (mm)	875	875
Maximum height adjustability feet (mm)	60	60
Maximum width for installation (mm)	600	600
Height of the product (mm)	815	815
Width / Depth of the product (mm)	598 / 550	598 / 550
Net weight / Gross weight (kg)	35 / 38	35 / 38
Water softener ⁵	●	●
Maximum accepted water hardness (°DH)	50	50
Maximum temperature for water intake (°C)	60	60
Interior cavity	Stainless steel	Stainless steel
Included accessories	Large item spray head, including Steam protection plate	Large item spray head, including Steam protection plate

60CM FULLY INTEGRATED			
N 50	N 30	N 30	N 30
S155HVX15G	S153HCX02G	S153HAX02G	S153ITX05G
Control Panel	Stainless steel	Stainless steel	Stainless steel
Height (cm) / Hinge Type	81.5 / Fixed	81.5 / Fixed	81.5 / Fixed
Design Features			
Drying system	Heat exchanger	Heat exchanger	Heat exchanger
Home Connect WiFi connectivity	●	●	●
Control panel type	Push buttons + LED	Toggle control + LED	Toggle control + LED
Basket description	Flex 2	Flex 1	Flex 1
Flex Cutlery Drawer (3rd loading level)	●	●	●
Status indicator	Info Light (Red)	Info Light (Red)	Info Light (Red)
Door open assist			
Glass care technology	●	●	●
Anti-slip protection and stemware support upper basket			
Adjustable upper basket	Rack Matic 3-stage	Rack Matic 3-stage	Rack Matic 3-stage
Number of flip tines in upper / lower basket	2 / 4	2 / 2	2 / 2
Cup shelves upper / lower baskets	2 / -	2 / 2	2 / -
Cutlery holder lower basket	●	●	●
Largest loadable dish upper / lower basket (cm)	21 / 31	21 / 31	27 / 31
Load / Aqua sensor	●	●	●
Real-time clock			
Start delay time max hours	24	3/6/9	3/6/9
Emotion light (interior lighting)			
End of cycle indicator	Acoustic	Acoustic	Acoustic
Salt / Rinse aid light indicator	● / ●	● / ●	● / ●
Self cleaning filter system	●	●	●
Flood protection system	AquaStop	AquaStop	AquaStop
Safety features	Door lock	Door lock	Door lock
PROGRAMMES / FUNCTIONS			
List of programmes	Eco 50 °C, Auto 45-65 °C, Chef 70 °C, Classic 60 °C, Glass 40 °C, Favourite, Easy Clean	Eco 50 °C, Auto 45-65 °C, Chef 70 °C, Classic 60 °C, Favourite, Easy Clean	Eco 50 °C, Auto 45-65 °C, Chef 70 °C, Classic 60 °C, Favourite, Easy Clean
Additional special options	Remote Start, Extra Dry, Power Zone, Extra Speed	Remote Start, Extra Dry, Power Zone, Extra Speed	Remote Start, Extra Dry, Power Zone, Extra Speed
TECHNICAL SPECIFICATIONS			
Reference programme for measurements	Eco 50 °C	Eco 50 °C	Eco 50 °C
Energy efficiency class ¹			
Energy ² / water ³ : kWh / litres	94 / 9.5	85 / 9.5	84 / 9.5
Load capacity (place settings)	13	14	13
Programme duration ⁴ : h:min	3:45	4:55	4:55
Noise level: dB (A) re 1 pW	46	48	48
Noise efficiency class	C	C	C
Noise level (silence programme): dB (A) re 1 pW			
Length of electrical supply cord (cm)	175	175	175
Length inlet / outlet hose (cm)	165 / 190	165 / 190	165 / 190
Maximum height for installation (mm)	875	875	875
Maximum height adjustability feet (mm)	60	60	60
Maximum width for installation (mm)	600	600	600
Height of the product (mm)	815	815	815
Width / Depth of the product (mm)	598 / 550	598 / 550	598 / 550
Net weight / Gross weight (kg)	35 / 38	44 / 46	44 / 46
Water softener ⁵	●	●	●
Maximum accepted water hardness (°DH)	50	50	50
Maximum temperature for water intake (°C)	60	60	60
Interior cavity	Stainless steel / Polinox	Stainless steel	Stainless steel
Included accessories	Large item spray head, including Steam protection plate	Large item spray head, including Steam protection plate	Large item spray head, including Steam protection plate

All of our dishwashers have Aqua Stop water protection, detergent aware, Dosage Assist and a door lock as standard. All NEFF dishwashers are suitable for use with doors from 2.5kg-8.5kg apart from SlimLine S875HX20G (2.5kg to 7.5kg) and VarioHinge models S195HCX26G and S295HCX26G (4.5kg to 11.0kg) if the correct door springs are installed.

● Yes, model has this feature
¹ On an energy-efficiency class scale from A to G
² Energy consumption in kWh/100 operating cycles (using Eco programme)
³ Water consumption in litres/operating cycle (using Eco programme)
⁴ Duration of Eco programme
⁵ We would recommend our dishwashers are connected to the mains water supply where possible. However, they may also be connected to an external water softener as long as the water softener produces softened water of less than 1.1 mmol/litre (7.0°e) and the water softener in the appliance is turned off. Please contact product advice for further information. Water pressure required: 0.5-10 Bar. Flow rate: 10 litres per minute. Inlet valve connected directly to ¼" screwed joint. Data valid in this table as of April 2022. Subject to modification without prior notice.

THE NEFF OVEN COLLECTIONS
HOBS
VENTILATION
REFRIGERATION
DISHWASHING
LAUNDRY

Slimline Dishwasher

APPLIANCE TYPE	45CM FULLY INTEGRATED
COLLECTION	N 50
MODEL NO.	S875HKX20G
Control Panel	Stainless steel
Height (cm) / Hinge Type	81.5 / Vario Hinge
Design Features	
Drying system	Heat exchanger
Home Connect WiFi connectivity	•
Control panel type	Push buttons + LED
Basket description	Flex 1
Flex Cutlery Drawer (3rd loading level)	
Status indicator	Info Light (red)
Door open assist	
Glass care technology	•
Anti-slip protection and stemware support upper basket	
Adjustable upper basket	Height adjustable top basket
Number of flip tines in upper / lower basket	- / 2
Cup shelves upper / lower baskets	2 / -
Cutlery holder lower basket	•
Largest loadable dish upper / lower basket (cm)	27 / 31
Load / Aqua sensor	•
Real-time clock	
Start delay time max hours	24
Emotion light (interior lighting)	
End of cycle indicator	Acoustic
Salt / Rinse aid light indicator	• / •
Self cleaning filter system	•
Flood protection system	AquaStop
Safety features	Door lock
PROGRAMMES / FUNCTIONS	
List of programmes	Eco 50 °C, Auto 45-65 °C, Chef 70 °C, Classic 60 °C, Glass 40 °C, Favourite, Easy Clean
Additional special options	Remote Start, Extra Dry, Power Zone, Extra Speed
TECHNICAL SPECIFICATIONS	
Reference programme for measurements	Eco 50 °C
Energy efficiency class ¹	
Energy ² / water ³ : kWh / litres	70 / 8.5
Load capacity (place settings)	9
Programme duration ⁴ : h:min	3:40
Noise level: dB (A) re 1 pW	46
Noise efficiency class	C
Noise level (silence programme): dB (A) re 1 pW	
Length of electrical supply cord (cm)	175
Length inlet / outlet hose (cm)	165 / 205
Maximum height for installation (mm)	875
Maximum height adjustability feet (mm)	60
Maximum width for installation (mm)	450
Height of the product (mm)	815
Width / Depth of the product (mm)	448 / 550
Net weight / Gross weight (kg)	28 / 30
Water softener ⁵	•
Maximum accepted water hardness (*DH)	50
Maximum temperature for water intake (°C)	60
Interior cavity	Stainless steel
Included accessories	Large item spray head, including Steam protection plate



S875HKX20G Home Connect

• Yes, model has this feature

¹ On an energy-efficiency class scale from A to G
² Energy consumption in kWh/100 operating cycles (using Eco programme)
³ Water consumption in litres/operating cycle (using Eco programme)
⁴ Duration of Eco programme
⁵ We would recommend our dishwashers are connected to the mains water supply where possible. However, they may also be connected to an external water softener as long as the water softener produces softened water of less than 1.1 mmol/litre (7.0°e) and the water softener in the appliance is turned off. Please contact product advice for further information. Water pressure required: 0.5-10 Bar. Flow rate: 10 litres per minute. Inlet valve connected directly to 3/4" screwed joint.
 Data valid in this table as of April 2022. Subject to modification without prior notice.

All of our dishwashers have Aqua Stop water protection, detergent aware, Dosage Assist and a door lock as standard. All NEFF dishwashers are suitable for use with doors from 2.5kg-8.5kg apart from SlimLine S875HKX20G (2.5kg to 7.5kg) and VarioHinge models S195HCX26G and S295HCX26G (4.5kg to 11.0kg) if the correct door springs are installed.



THE NEFF OVEN COLLECTIONS

HOBBS

VENTILATION

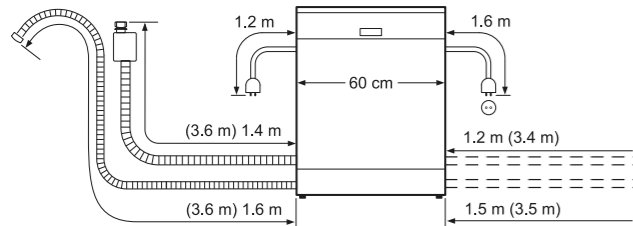
REFRIGERATION

DISHWASHING

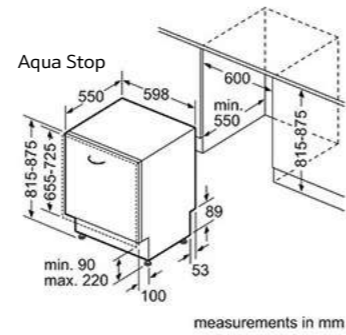
LAUNDRY

Fully Integrated Dishwashers

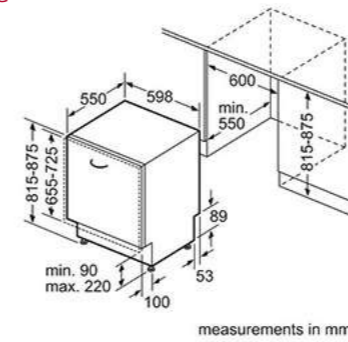
S189YC01E, S187ZCX43G, S187ECX23G, S295HCX26G, S195HCX26G, S155HCX27G, S155HAX27G, S155HVX15G, S153HAX02G, S153HCX02G, S153ITX05G, S189YC02E, S187TC800E



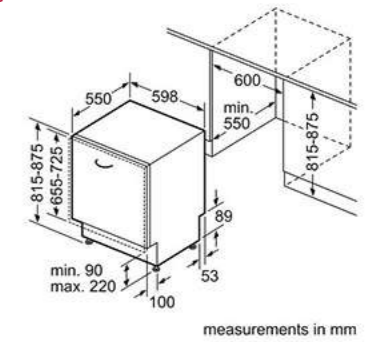
S189YC01E



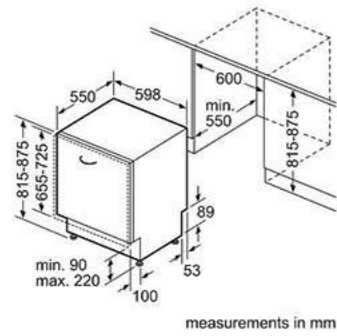
S155HVX15G



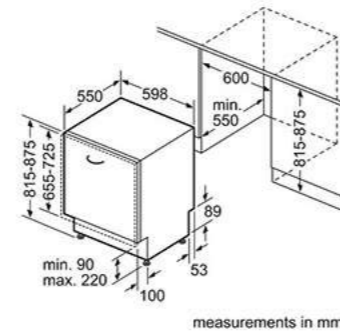
S153HAX02G



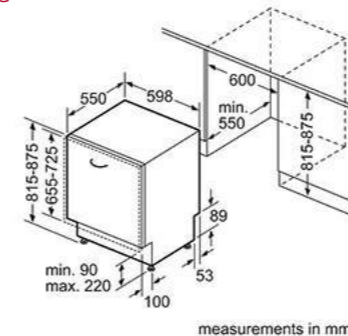
S187ZCX43G



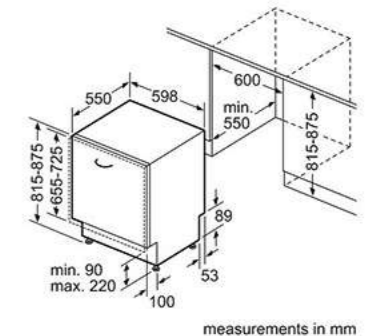
S187ECX23G



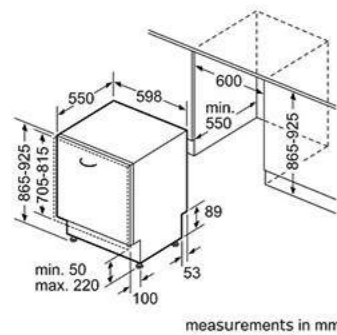
S153HCX02G



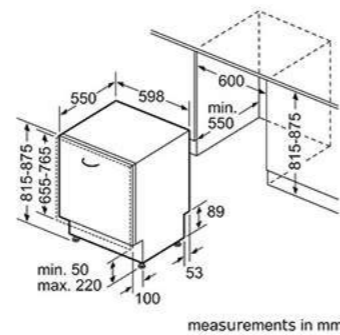
S153ITX05G



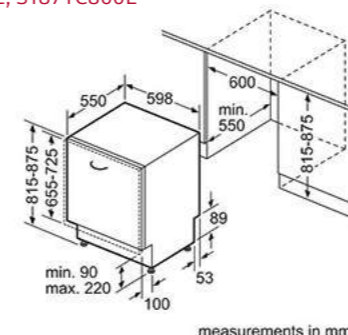
S295HCX26G



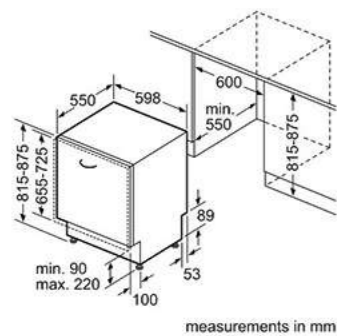
S195HCX26G



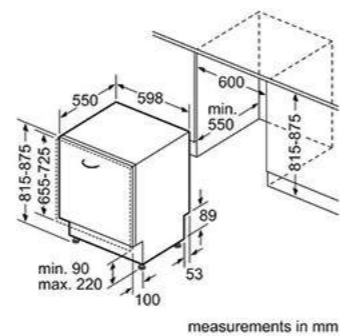
S189YC02E, S187TC800E



S155HCX27G

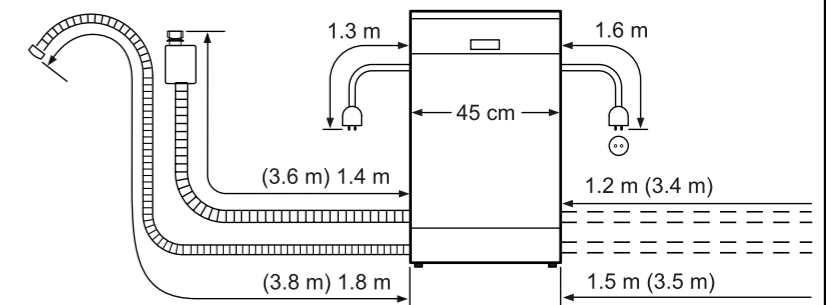
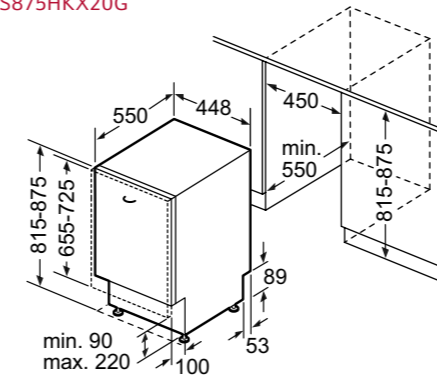


S155HAX27G



Slim Line Dishwasher

S875HKX20G



() values with extension kit

Measurements in mm. The line drawings featured in this brochure are provided as a guide to general dimensions only and are subject to amendment without prior notice. For full dimensional and installation details please refer to the documentation supplied with the appliance.

Measurements in mm. The line drawings featured in this brochure are provided as a guide to general dimensions only and are subject to amendment without prior notice. For full dimensional and installation details please refer to the documentation supplied with the appliance.

THE NEFF OVEN COLLECTIONS
HOBS
VENTILATION
REFRIGERATION
DISHWASHING
LAUNDRY

Your Guide to Laundry

Quality, performance and efficiency are standard on all our laundry appliances

A good laundry appliance should be reliable enough to provide perfect results again and again. We have three types of model to cover all your laundry needs: washing machines, washer dryer combination models and tumble dryers. All feature our signature innovations, designed to improve efficiency and, most importantly, to make life easier.



Our washing machines are so quiet they won't drown out your conversation. We have also added the innovative Time Light feature so you can see when your washing will be finished even when the furniture door is closed. A perfect solution for open plan kitchens.



TIME LIGHT

The time remaining of the wash cycle is clearly projected on to any floor surface. So you don't have to open the door to see when your washing will be finished. Perfect for open plan kitchens. Featured on model W544BX2GB.

Key Functions Guide

Key Features

INTELLIGENT WATER SYSTEM

Efficient washing is made simple with our built-in load sensor. With up to 256 load levels distinguished and a flow sensor for detecting the kind of textile, the amount of water used is tailored to your wash.

SENSOR DRYING

Continuously monitors the drying performance using sophisticated sensors to prevent overheating and over drying. The dryer stops automatically when the correct level of dryness is reached to deliver the finest fabric care and reduce ironing.

ANTI-VIBRATION SIDE PANELS

Our new side panels increase stability and reduce vibrations during even the fastest spin cycle. With a 3-step system which absorbs motor vibrations, centres unbalanced laundry and compensates for vibrations on the side walls, you benefit from low noise washing with every load.

ECO BAR / ECO BAR PLUS

Know how much energy you are using with the new Eco Bar feature, available on selected freestanding appliances. The LED bar displays five possible consumption levels. With Eco Bar Plus, energy and water consumption is displayed, giving you an indication of resources used on your chosen programme and options. The fewer LEDs illuminated, the more energy you are saving.

Additional Features

TIME DELAY

Allows you to programme the machine up to 24 hours in advance to suit any schedule or to take advantage of off-peak electricity rates.

DRUM LIGHT

The new drum interior LED light is a big help when unloading your fully-integrated NEFF built-in washing machine. It lights up the inside brightly enough so you'll never overlook another item of laundry.

AQUA STOP / AQUA SECURE PLUS

Protects inlet hoses from leakage. A safety valve prevents any more water from entering the washing machine.

RELOAD FUNCTION

If you need to add or remove an item after the programme has started, you can pause the cycle by pressing the Start/Reload button. The machine will check whether you can open the door and, if so, it lets you. To resume operation, just press the Start/Reload button again.

Programmes

STAIN-REMOVAL PROGRAMME

Banish even the most stubborn stains with our stain-specific programmes. With dedicated settings for red wine spillages, tomato splashes and butter/oil residue, there's no need to worry about cooking-related stains.

DRUM CLEAN WITH REMINDER

Prevent odours and germs with our handy Drum Clean reminder. When the machine detects a consecutive number of low washing temperatures (<40°), you'll be prompted to start the Drum Clean programme.

Options

LESS IRONING

Reduces the creasing of clothes as the water is gently removed from the wash with a light interval spin at the end of the cycle.

FLEXI TIME

Cuts programme times by up to 30%. Simply select the cycle you wish to run and then select Flexi Time.

EXTRA RINSE OPTION

Available on almost every programme, it's especially helpful for sensitive skin.

Some features are relevant for freestanding models only. For full details please refer to the website.

Integrated Laundry



MODEL NO.	W544BX2GB	W543BX2GB
COLLECTION	N70	N50
BUILT-IN	WASHING MACHINE	WASHING MACHINE
KEY FEATURES		
Time Light	•	
SpeedPerfect	•	•
Reload function	•	•
Targeted stain removal	•	
Reduced noise wash	•	
ADDITIONAL FEATURES		
Time delay h	24	24
Control panel lock	•	•
Water protection system	Aqua Stop	Aqua Stop
PROGRAMMES / FUNCTIONS		
Cottons	•	•
Eco 40-60	•	•
Easy-care programme	•	•
Wool programme	•	•
Super Quick 15 / 30'	•	•
Mixed load	•	•
Shirts	•	•
Stain removal	Tomatoes, Red Wine, Butter/Oil	
Delicates / Silk	•	•
Rinse	•	•
Spin / Drain	•	•
Drum Clean	•	•
OPTIONS		
Pre-wash	•	•
Extra rinse	•	•
Variable temperature / Variable spin	•/•	/•
PERFORMANCE / TECHNICAL INFORMATION		
Energy efficiency class ¹	A C	A C
Load capacity kg	1-8	1-8
Energy ² / Water ³ kWh / litres	62 / 45	62 / 45
Programme duration ⁴ h:mm	3:16	3:16
Maximum spin speed ⁵ rpm	1400	1400
Spin efficiency class	B	B
Noise level dB(A) re 1 pW	66	66
Noise emission class	A	A
Dimensions of the product h x w x d (inc.hinge and 19mm door) mm	818 x 596 x 544 (574)	818 x 596 x 544 (574)
Door opening angle	130°	130°
Depth with open door 90° mm	956	956
Height adjustability mm	120	120
Length of electrical supply cord cm	210	210
Length of supply hose / drain hose cm	220/220	220/220
Door hinge (porthole)	Left-hand	Left-hand

MODEL NO.	V6540X2GB	V6320X2GB
COLLECTION	N50	N30
BUILT-IN	WASHER DRYER	WASHER DRYER
KEY FEATURES		
Electronic control dial	•	•
Time selection options	•	•
Sensor controlled drying	•	
ADDITIONAL FEATURES		
Time delay h	24	19
Control panel lock	•	•
Water protection system	Aqua Stop	Aqua Secure
STANDARD PROGRAMMES		
Cottons	•	•
Eco 40-60	•	•
Easy-care programme	•	•
Wool programme	•	•
Delicates / Silk	•	•
Intensive dry	•	•
Gentle dry	•	•
ADDITIONAL PROGRAMMES		
Super Quick 15'	•	
Reduced noise wash	•	
Sportswear	•	
Mixed load	•	
Fluff removal programme	•	•
OPTIONS		
Flexi Time	•	•
Intensive	•	•
Pre-wash	•	•
Extra rinse	•	•
Less ironing	•	•
Variable temperature	•	•
Variable spin speed	•	•
PERFORMANCE / TECHNICAL INFORMATION		
Energy efficiency class washing and drying ¹	A G	A G
Energy efficiency class washing ²	A G	A G
Energy ³ / Water ⁴ washing and drying kWh / litres	266 / 68	266 / 68
Energy ⁵ / Water ⁶ washing kWh / litres	77 / 44	77 / 44
Load capacity washing and drying / washing kg	1-4 / 1-7	1-4 / 1-7
Programme duration ⁷ washing and drying / washing h:mm	5:30 / 2:50	5:30 / 2:50
Spin efficiency class	B	B
Spin speed ⁸ rpm	1400	1400
Noise level dB(A) re 1 pW	72	72
Noise emission class	A	A
Dimensions of the product h x w x d (inc.hinge and 20mm door) mm	820 x 595 x 560 (584)	820 x 595 x 560 (584)
Door opening angle	95°	95°
Depth with open door 90° mm	960	960
Height adjustability mm	15	15
Length of electrical supply cord cm	220	220
Length of supply hose / drain hose cm	200 / 200	200 / 200
Door hinge (porthole)	Left-hand	Left-hand

Not all options and programmes are shown, this is a guide, please refer to the website for more details. ¹On an energy-efficiency class scale from A to G. ²Energy consumption in kWh/100 operating cycles (using Eco 40-60 programme). ³Water consumption in litres/operating cycle (using Eco 40-60 programme). ⁴Duration of Eco 40-60 programme. ⁵The specified value is rounded.

Not all options and programmes are shown, this is a guide, please refer to the website for more details. ^{1,2}On an energy-efficiency class scale from A to G. ³Energy consumption in kWh/100 complete operating cycles (using Eco 40-60 programme). ⁴Water consumption in litres/complete operating cycle (using Eco 40-60 programme). ⁵Energy consumption in kWh/100 wash cycles (using Eco 40-60 programme). ⁶Water consumption in litres/wash cycle (using Eco 40-60 programme). ⁷Duration of Eco 40-60 programme, complete operating cycle/wash cycle. ⁸The specified value is rounded.

Freestanding Laundry



MODEL NO.	W244GG09GB	W7460X5GB
COLLECTION	N70	N70
FREESTANDING	WASHING MACHINE	WASHING MACHINE
KEY FEATURES		
EcoSilence Drive	•	•
EcoBar / EcoBar +		•/
SpeedPerfect	•	/•
AntiVibraton design	•	•
Reload facility	•	•
ADDITIONAL FEATURES		
Time delay	h	24
Control panel lock	•	•
Water protection system		Multiple Water protection
PROGRAMMES / FUNCTIONS		
Eco 40-60		•
Cottons		•
Super Quick 15 / 30'	•	•
Easy-care programme	•	•
Wool programme	•	•
Delicates / Silk	•	•
Sportswear		•
AllergyPlus		•
Dark wash		•
Mixed load		•
Shirts and blouses		•
Reduced ironing	•	
AquaPlus / Extra Rinse		•
Pre Wash	•	•
Variable temperature / Variable spin		•
Drum Clean	•	•
PERFORMANCE / TECHNICAL INFORMATION		
Energy efficiency class ¹		
Load capacity	kg	1 - 9
Energy ² / Water ³	kWh/L	66 / 44
Programme duration ⁴	h:mm	3:37
Maximum spin speed ⁵	rpm	1400
Spin efficiency class		B
Noise level	dB(A) re 1 pW	72
Noise emission class		A
Dimensions of the product h x w x d (inc. door porthole)	mm	848 x 598 x 590 (632)
Door opening angle	cm	171°

Not all options and programmes are shown, this is a guide, please refer to the website for more details. ¹On an energy-efficiency class scale from A to G. ²Energy consumption in kWh/100 operating cycles (using Eco 40-60 programme). ³Water consumption in litres/operating cycle (using Eco 40-60 programme). ⁴Duration of Eco 40-60 programme. ⁵The specified value is rounded.

VNA341U8GB - ^{1,2}On an energy-efficiency class scale from A to G. ³Energy consumption in kWh/100 complete operating cycles (using Eco 40-60 programme). ⁴Water consumption in litres/complete operating cycle (using Eco 40-60 programme). ⁵Energy consumption in kWh/100 wash cycles (using Eco 40-60 programme). ⁶Water consumption in litres/wash cycle (using Eco 40-60 programme). ⁷Duration of Eco 40-60 programme, complete operating cycle/wash cycle. ⁸The specified value is rounded.

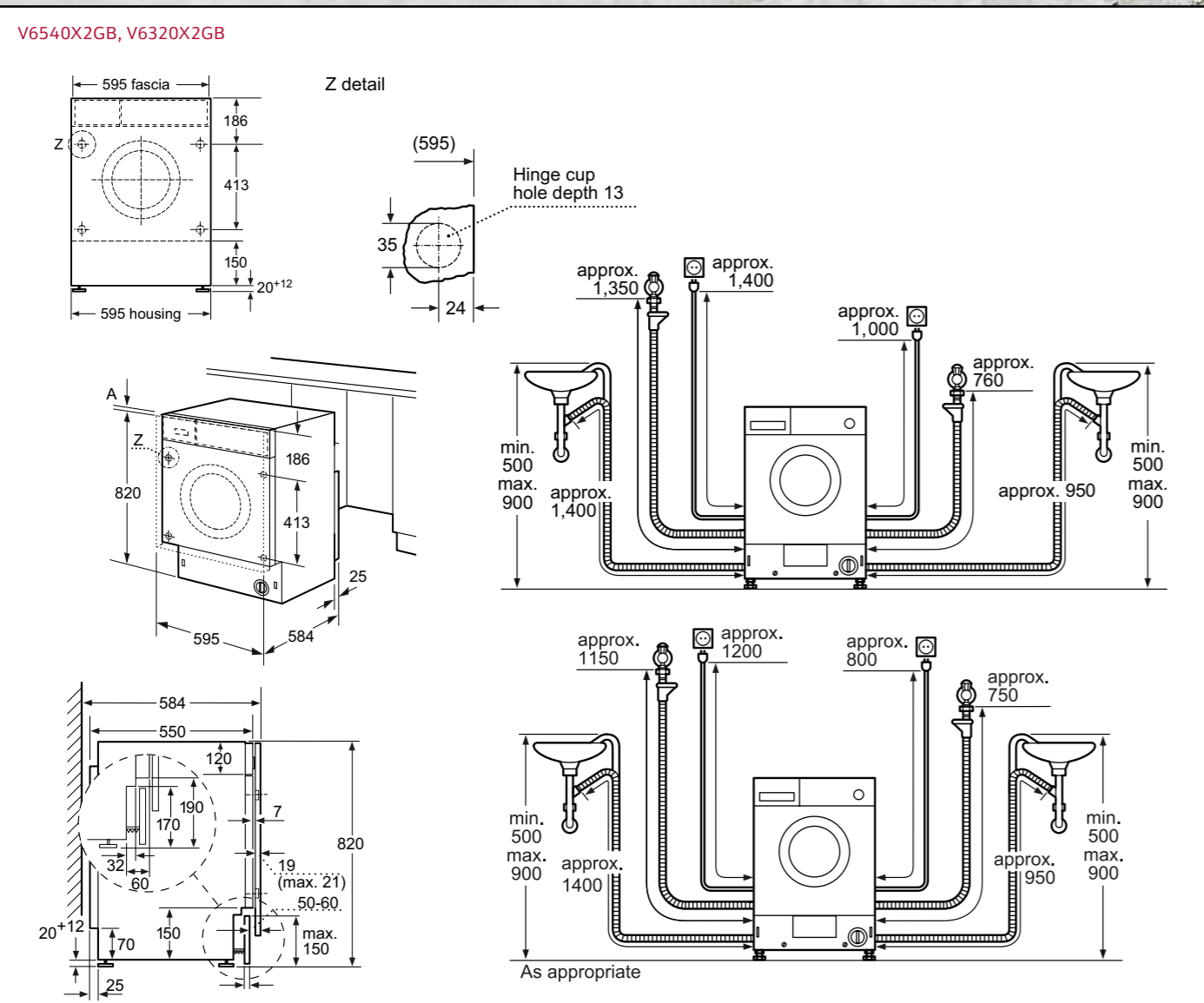
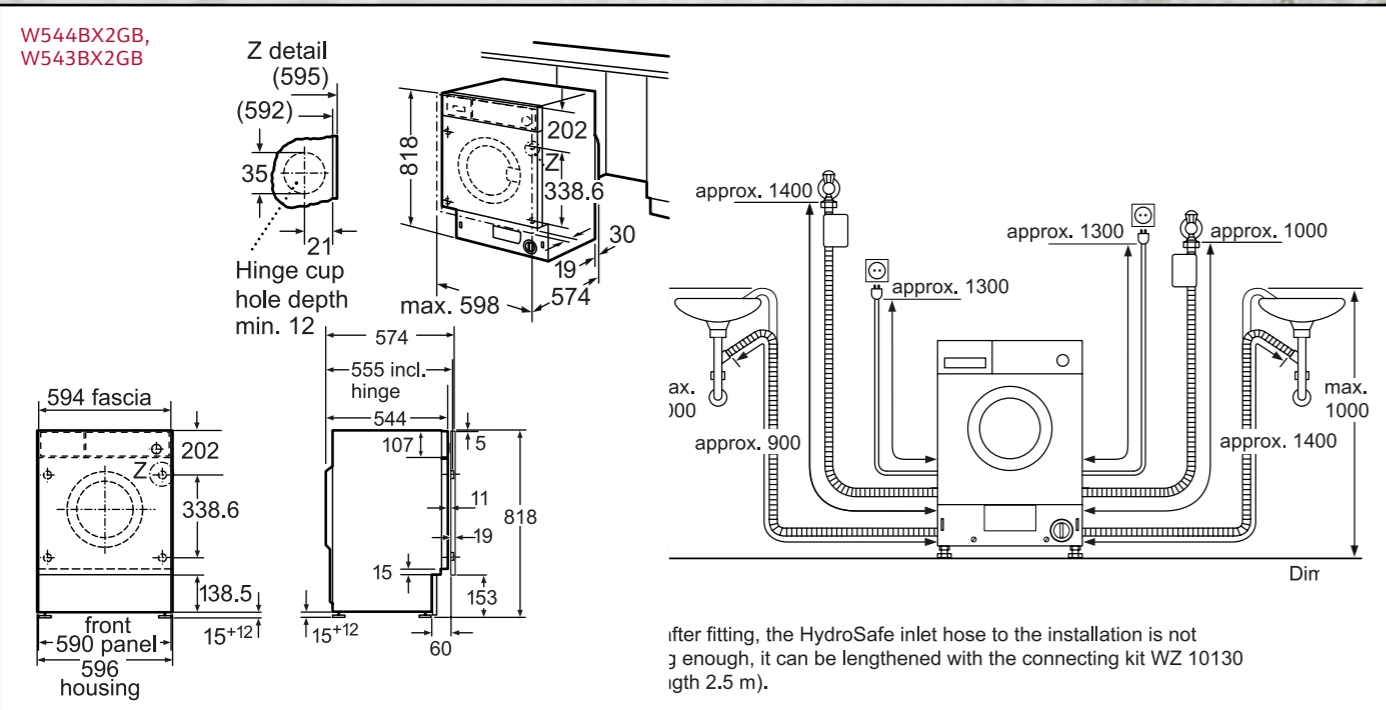
R8580X3GB - Not all options and programmes are shown, this is a guide, please refer to the website for more details. All models comply with COMMISSION REGULATION (EC) No 1275/2008 with regard to ecodesign requirements for standby and of mode electric power consumption.

Freestanding Washer Dryer & Freestanding Condenser Tumble Dryer

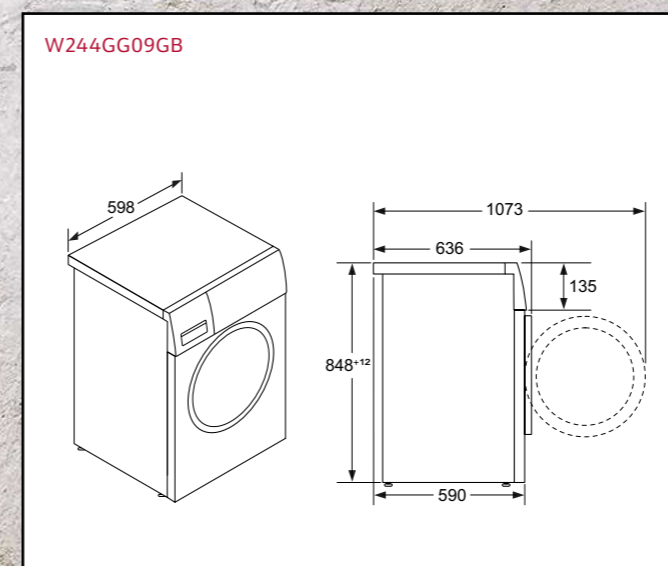
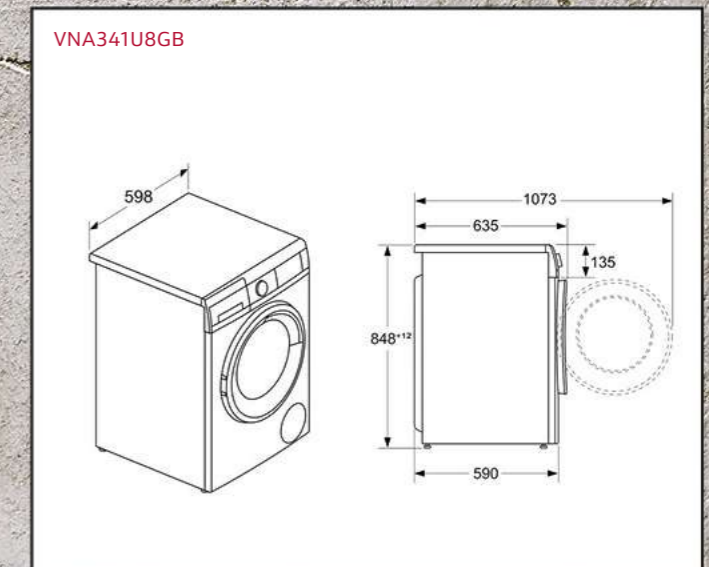
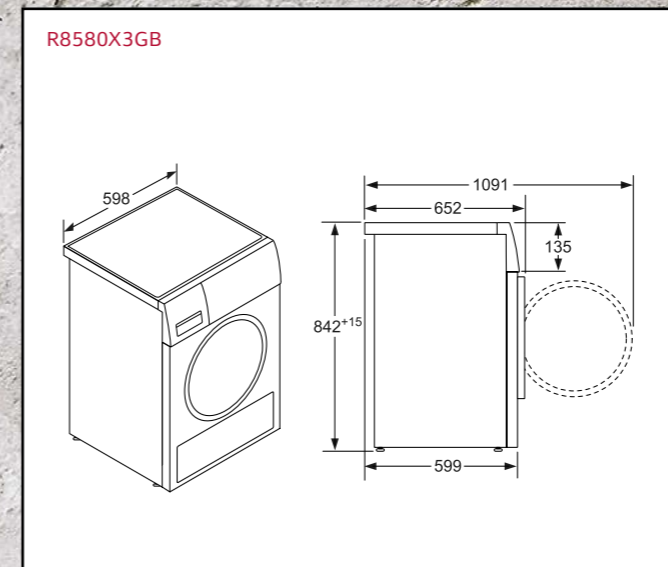
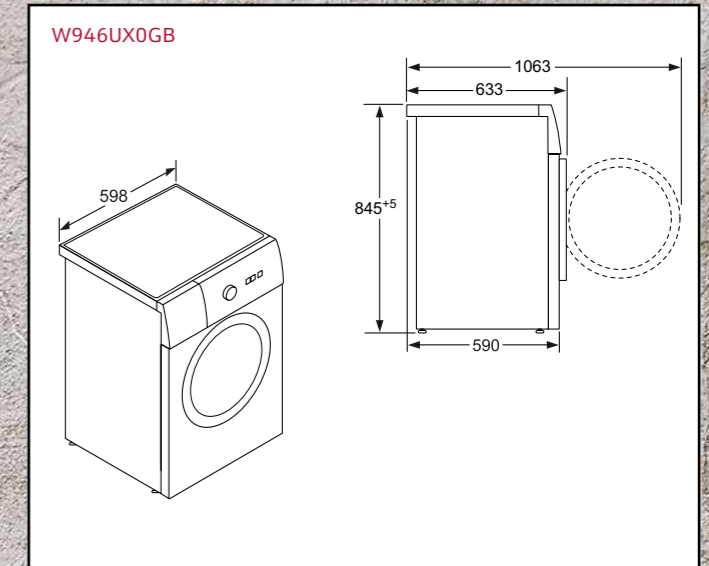
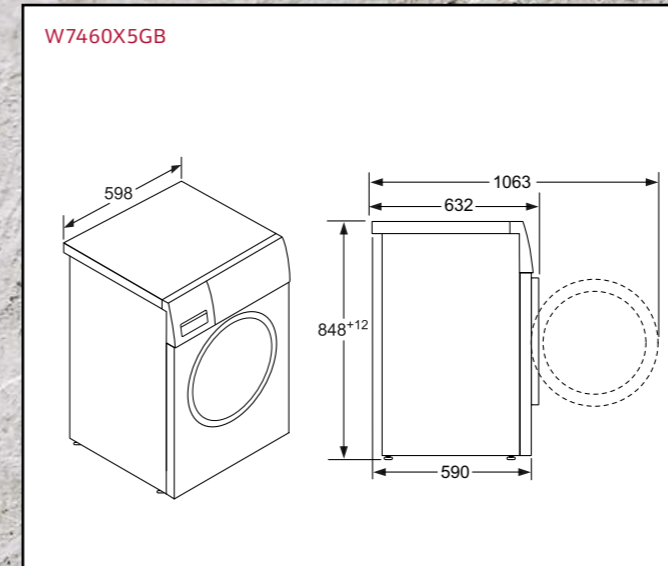


MODEL NO.	VNA341U8GB	R8580X3GB
COLLECTION	N70	N70
FREESTANDING	WASHER DRYER	TUMBLE DRYER
KEY FEATURES		
AutoDry - Sensor Drying	•	•
Anti Vibration design	•	•
Anti Crease cycle	mins	120
Reload facility	•	•
ADDITIONAL FEATURES		
Time delay	h	24
Control panel lock	•	•
Interior drum light		•
Water protection system	Aqua Secure	
PROGRAMMES / FUNCTIONS		
Eco 40-60	•	
Cottons	•	•
Refresh	•	
Easy-care programme	•	•
Mixed load	•	•
Delicates / Silk	•	•
Wool programme	•	•
Red wine	•	
Rapid 15' / Wash & Dry 60'	•	
Intensive Dry	•	
Gentle Dry	•	
My time Dry	•	
Prewash	•	
Easy Iron	•	
SpeedPerfect	•	
Variable temperature / Variable spin	•	
Sportswear		•
AllergyPlus		•
Shirts 15'		•
Rapid 40'		•
Down		•
Timed programme - Warm		•
Timed programme - Cold		•
Reduced ironing		•
PERFORMANCE / TECHNICAL INFORMATION		
Energy efficiency class washing and drying ¹		
Energy efficiency class washing ²		
Energy efficiency class drying		B
Energy ³ / Water ⁴ washing and drying	kWh/L	313 / 70
Energy ⁵ / Water ⁶ washing	kWh/L	63 / 41
Load capacity washing and drying / washing	kg	1 - 5 / 1 - 8
Programme duration ⁷ washing and drying / washing	h:mm	7:30 / 3:32
Spin efficiency class		B
Spin speed ⁸	rpm	1400
Capacity cotton	kg	9
Ambient temperature range	°C	5-35°C
Noise level	dB(A) re 1 pW	65
Noise efficiency class		A
Dimensions of the product h x w x d (inc. door porthole)	mm	848 x 598 x 599 (652)
Depth with door open 90°	mm	1091
Door opening angle		175°
Door hinge position		Right-hand

Fully Integrated Laundry



Freestanding Laundry



NEFF Customer Service



Here at NEFF, we understand that although our kitchens and appliances are designed to cope with even the most exacting cookaholics, sometimes you need to turn to us for help. Whether you need a visit from one of our engineers, some spare parts for your NEFF appliance or just some helpful advice, we're here to talk – around the clock*.

GIVE US A CALL ON
0344 892 8979

If you're in the Republic of Ireland, call us on (01) 450 2655

VISIT OUR WEBSITE AT
NEFF-HOME.COM/UK
NEFF-HOME.COM/IE

We're available 7 days a week. Our specialist advisors are available Monday to Friday 8am to 6pm, Saturday 9am to 5pm and Sunday 9am to 4pm. Calls are charged at the basic rate, please check with your telephone service provider for exact charges. In some areas we may use an approved service partner and the process may vary for repairs carried out by our service partners.

Please note that due to the implications of COVID-19, our contact hours and service availability are subject to change. For the latest information and updates on our services please visit our COVID-19 Service Update page on: neff-home.com/uk/coronavirus. Republic of Ireland customers should visit: neff-home.com/ie/coronavirus.

*Please note that after the working hours stated only a limited number of advisors are available.

Register my appliance

REGISTER YOUR APPLIANCE AND WARRANTY

It is important that you register all your kitchen appliances to ensure that the manufacturer has full details in the event of an important product update. You can find out more about registering your appliances online at:

registermyappliance.org.uk

All NEFF appliances are supplied with a two-year manufacturer's warranty. Please call 0800 519 2115 (Republic of Ireland 01230 0344) to register your NEFF warranty and find out more about extending your cover.

Please be aware that the above telephone number is managed by Domestic & General Services Limited who administer the warranty registration process on our behalf.



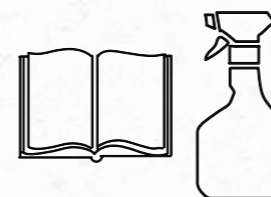
ARRANGE A VISIT FROM A NEFF ENGINEER

NEFF home appliances are built to the highest standard, but if you do need a visit from a NEFF engineer, we are here to help. Our locally based engineers are employed and trained by NEFF, which gives them unrivaled knowledge and expertise to repair NEFF appliances.

In some areas we may use an approved service partner to carry out repairs on our NEFF appliances, where the repair process may vary.

You can easily book and manage your engineer visit online at: neff-home.com/uk/service/repair/book-a-repair-online or via our call centre (see contact details above). Republic of Ireland customers should call: 01450 2655.

Calls will be answered 24 hours a day, 7 days a week. Calls are charged at the basic rate, please check with your telephone service provider for exact charges.



ACCESSORIES AND CLEANING PRODUCTS

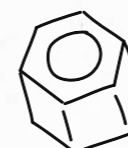
You can find everything you need for any appliance on the NEFF online store. It's here where you'll find our tested and approved cleaning and care products, along with other accessories ranging from a Glass Holder for your new dishwasher to a Teppan Yaki for your hob, or a new set of Telescopic Rails.

Shop online at: neff-home.com/uk/store



ONLINE HELP AND PRODUCT ADVICE

Prefer to go online? You can visit our support content at: neff-home.com/uk/service/support to quickly find the help you need. We cover questions about usage and maintenance of your appliance, as well as tips on getting started and installing your new appliances. You'll also be able to access your user manual at any time.



GENUINE NEFF SPARE PARTS

NEFF keeps a comprehensive range of replacement spare parts for up to ten years. You can browse our exploded view diagrams on our store or speak to an advisor on the phone to help you locate and buy the spare parts you need.

neff-home.com/uk/service/care-protection-and-parts

RECEIVE THE HIGHEST STANDARDS OF SERVICE FROM NEFF

NEFF appliances are well-known for their quality and we believe that our customers deserve customer service to match. We provide expert repairs both inside and outside the manufacturer's warranty period and we can offer advice on choosing an appliance which will enhance your favourite dishes.

NEFF is a division of BSH Home Appliances Limited, a company registered in England and Wales under company registration number 01844007, with registered office at: Grand Union House, Old Wolverton Road, Wolverton, Milton Keynes, Buckinghamshire, MK12 5PT.



COOKING PASSION SINCE 1877



Create. Inspire. Delight.

COLOUR ILLUSTRATIONS

Due to variables in photographic and printing processes, all colours in this brochure are subject to deviation from the appliance actually illustrated.

IMPORTANT NOTES

This brochure is current as from the publication date and supersedes all previous brochures for these products. This brochure should not be regarded as an infallible guide nor as an offer for sale of any particular product. Whilst BSH Home Appliances Ltd believes that all information contained within this brochure is correct at the time of going to print, no representation or warranty, express or implied, is or will be made and no responsibility or liability is or will be accepted by BSH Home Appliances Ltd in relation to the accuracy or completeness of this information and any liability is expressly disclaimed. To the extent permitted by law, BSH Home Appliances Ltd expressly excludes: i) all conditions, warranties and other terms which might otherwise be implied by statute, common law or the law of equity and ii) any liability for any direct, indirect or consequential loss or damage (including, without limitation, damages for loss of business or loss of profits) arising in contract, tort or otherwise from the use of or reliance on any information contained within this brochure or from any action or decision taken as a result of such use or reliance. BSH Home Appliances Ltd reserves the right to modify technical data and all other information contained within this brochure without notice. All rights reserved. Due to variables in the reproduction process, colours of actual products may vary slightly from those depicted. We recommend a visit to a NEFF dealer to confirm that specifications and colours are to your satisfaction.

All photography and copy in this brochure are the property of, or under licence to, NEFF and must not be used without prior permission. Please contact the NEFF Marketing Department for assistance.

Slide&Hide®, CircoTherm®, NeffLight®, TwistPad®, FlameSelect®, SeamlessCombination® and TwistPadFire® are trade marks of BSH Home Appliances Limited.

For product specifications please go to neff-home.com/uk/ or ask your local retailer.

NEFF Dealers are not agents of NEFF and therefore have no authority to bind NEFF by any express or implied undertaking or representation.

NEFF Customer Service
Grand Union House
Old Wolverton Road
Milton Keynes
Buckinghamshire
MK12 5ZR

BSH Home Appliances Ltd.
M50 business Park
Ballymount
Dublin 12
T 1890 626 041
www.neff.ie

NEFF, a division of
BSH Home Appliances Ltd.
Grand Union House
Old Wolverton Road
Wolverton
Milton Keynes
MK12 5PT
www.neff-home.com/uk

NF4900 NEFF
Range Brochure

