



# ELEPHANT

LIFTING PRODUCTS™

“GENERATION UPON GENERATION OF QUALITY”

FAMILY OWNED & OPERATED



# ELEPHANT

## LIFTING PRODUCTS™

---

Elephant Lifting Products introduces the world's highest quality manufactured manual chain hoists, lever hoists, and electric chain hoists that are required in today's industry. Elephant Chain Block Co. Ltd. is family owned and operated, manufacturing lifting equipment in Japan since 1936. The Elephant hoists are known globally for their superior design, advanced safety features, and constant reliability. The manual chain hoists, lever hoists, and electric chain hoists are furnished with our proprietary load chain. The load chain is manufactured within our factory in Osaka, Japan and adheres to the strict DIN 5684 standards. This special grade 105 heat treated high tensile strength load chain (105 kgf / mm<sup>2</sup>) exceeds ISO V grade chain.

To complement our product line we are introducing two additional lines of lifting equipment: ATS Pneumatic chain hoists and Grippa lifting equipment. ATS and Grippa are both family owned & operated. They are also manufactured within ISO facilities in South Africa. The ATS Pneumatic hoists range from 1/4t industrial type units to specialized 240t BOP handling systems. We can offer specially engineered air chain hoists for applications that demand so, as well as ultra low profile designs. The Grippa beam trolleys are a solid carbon steel design, offering longevity in industrial environments. The Grippa beam clamps are robust in design, engineered to accommodate large girder sizes. Both the Grippa trolleys and beam clamps can be offered with 100% stainless steel side plates, stainless steel components, and solid bronze or solid stainless wheels. These special features are offered for corrosive and spark resistant environments. Elephant Lifting Products also offers a variety of lifting clamps to accommodate various rigging applications.

Elephant Lifting Products, LLC is proud to be family owned and operated. Our product line is promoted and serviced by honorable distributors that are dedicated to the shipyard, petrochemical, power, pulp / paper, construction, mining, offshore, and automotive industries. Elephant products will give our customers the assurance of satisfaction, through performance, during and after each job. We serve you from our home in Gonzales, Louisiana.

---





**HAND CHAIN HOISTS**

Super 100 Manual Chain Hoist - With Overload Protection .....4-5  
 C-21 Manual Chain Hoist .....6-7  
 Super 100 Large Capacity Chain Hoist .....8-9  
 SHG & SHGA Low Profile Manual Trolley Hoist ..... 10-11  
 EX H100 Series - Spark Resistant Manual Hoists & Trolleys .....12  
 Corrosion Resistant Hoist, Trolleys, & Beam Clamps .....13  
 Hoistman - Mini Chain Hoist .....14-15  
 Power Hoistman - Cordless Drill Driven & Hand Crank Hoist .....16-17  
 Elephant Integral Lug Mount Trolley Hoists, Push & Geared .....18-19

**TROLLEYS / BEAM CRAWLS**

Trolleys - Elephant & Grippa ..... 20-21, 85-86

**LEVER CHAIN HOISTS**

YA Lever Hoist ..... 22-23  
 YAIII Lever Hoist - With Overload Protection ..... 24-25  
 YIII Lever Hoist - With Overload Protection ..... 26-27  
 Mini Lever Hoist ..... 28  
 Shipyard / Upset Welding Hooks / Latch Lock Hooks, Positive Locking ..... 29

**SINGLE PHASE ELECTRIC CHAIN HOISTS**

SA 1-Phase Electric Chain Hoist ..... 30-33

**THREE PHASE, SINGLE BRAKE ELECTRIC CHAIN HOISTS**

FA / FB 3-Phase Electric Chain Hoist ..... 34-37

**THREE PHASE, DOUBLE BRAKE ELECTRIC CHAIN HOISTS**

DA / DB 3-Phase Heavy Duty Electric Chain Hoist ..... 38-47  
 Large Capacity Electric Chain Hoist ..... 48-49

**LOW PROFILE ELECTRIC CHAIN HOISTS**

SDAM / SDBM Low Profile Electric Chain Hoists ..... 50-51

**COMPACT ELECTRIC CHAIN HOISTS**

Alpha Compact Electric Chain Hoist ..... 52-56  
 Beta Compact Electric Chain Hoist ..... 57

**PNEUMATIC CHAIN HOISTS**

ATS Pneumatic - Air Chain Hoists - Industrial Type ..... 58-63  
 ATS Pneumatic - Air Chain Hoists - Large Capacity ..... 60-63  
 ATS Pneumatic - Air Chain Hoists - With Motorized Trolley ..... 64-67  
 ATS Pneumatic - Air Chain Hoists - Rigger Type ..... 68  
 Pneumatic Hoists Control Options ..... 69  
 Spark Resistance Data ..... 70  
 ATEX Flow Chart .....71  
 ATS Pneumatic - Air Chain Hoists - Compact ..... 72-73  
 ATS Pneumatic - Air Chain Hoists - Monorail Type ..... 74-75  
 ATS Pneumatic - Air Chain Hoists - Low Profile ..... 76-77  
 ATS Pneumatic - Air Chain Hoists - Ultra Low Profile ..... 78  
 ATS Pneumatic - Air Chain Hoists - Ultra Low Profile, Large Capacity ..... 79  
 ATS Pneumatic - Air Chain Hoists - BOP Handling Matrix ..... 80-81  
 ATS Pneumatic - Tugger & Ats-Lifter Series Air Winches ..... 82-83

**CHAIN CHARACTERISTICS**

Load Chain & Hand Chain ..... 84

**BEAM & GIRDER CLAMPS**

Grippa Universal Clamps ..... 87  
 Grippa Girder Clamps ..... 88  
 Grippa Rail Clamps ..... 89  
 Eye Type & Jumbo Beam Clamps ..... 90-91  
 WF Screw Type Clamp - Omni-Directional ..... 92

**SPECIALTY CLAMPS**

VA & HAR Plate Clamps ..... 93

**LOAD TEST STANDS**

Warranty Information ..... Inside Back Cover

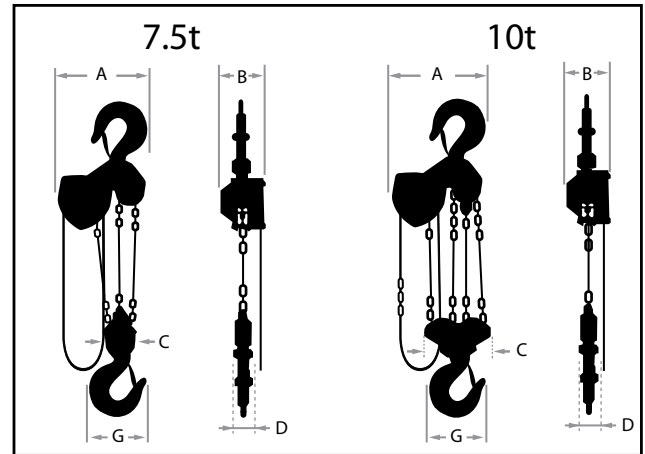
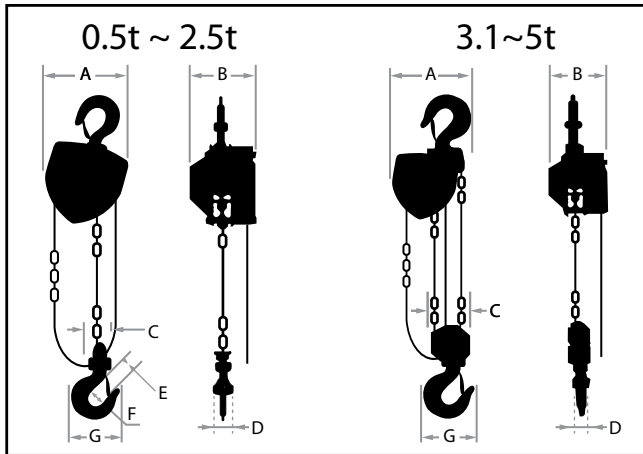
\* Specifications & dimensions are subject to change without notice.  
 \* Elephant's hoists have a metric rating.  
 \* Longer lifts are available upon request.



## SUPER 100 MANUAL CHAIN HOIST WITH OVERLOAD PROTECTION

- Overload protection safety device
- Grade 105 galvanized load chain, which adheres to the strict German DIN 5684 standard
- Galvanized hand chain
- Double pawls supporting fail-safe brake mechanism
- Load sheave with roller bearing
- The tough reinforced gear case has four ribs and four knock pins, providing accurate gear centering and high mechanical efficiency
- Rolled edge hand wheel cover
- Heavy duty electrostatic powder coating
- Long life friction discs
- Suitable for operation within a  $-4^{\circ}$  ~  $140^{\circ}$  F temperature range





**SPECIFICATIONS - SUPER 100 MANUAL CHAIN HOIST OVERLOAD PROTECTION**

Model	Max working load (lbs)	Max working load (mt)	Standard Lift (ft)	Manufacturer's Test Load	Headroom (in)	Headroom (in) Lug Mount to GRIPPA BC or BCG Trolley	Headroom (in) Lug Mount to Elephant P or G Trolley	Hand Effort to Lift Full Working Load (lbf)	Load Chain		Hand Chain Dia. X Pitch (mm)	Net Weight (lbs)	
									Dia. X Pitch (mm)	No. of Falls			
H100-0.5	1100	0.5	10	150% x Max. working load	10.83	NA	11.7	59.5	5 x 15	5 x 23.5	22		
H100-1	2200	1.0	10		11.81	12.5	12.5	69.5	6.3 x 19		27		
H100-1.6	3500	1.6	10		13.19	NA	14.5	91.5	7.1 x 21		35		
H100-2	4400	2.0	10		14.77	18	15.8	88.2	8 x 24		46		
H100-2.5	5500	2.5	10		16.14	NA	18.0	89.3	9 x 27		58		
H100-3.1	6800	3.1	10		20.87	23.3	20.5	104.7	7.1 x 21		53		
H100-5	11000	5.0	10	125% x Max. working load	24.61	23.1	24.8	105.8	9 x 27	5 x 23.5	87		
H100-7.5	16500	7.5	10		29.53	NA	28.5	115.7	9 x 27		154		
H100-10	22000	10.0	10		30.52	NA	31.4	115.7	9 x 27		3	4	182
											4		

**DIMENSIONS (IN.) - SUPER 100 MANUAL CHAIN HOIST OVERLOAD PROTECTION**

Capacity (lbs)	A	B	C	D	E	F	G
1100	5.5	6.1	2.3	1.3	1.1	1.4	2.7
2200	6.3	6.3	2.5	1.4	1.2	1.7	3.5
3500	7.2	6.6	2.6	1.5	1.4	1.9	4.1
4400	8.5	7.2	2.6	1.6	1.5	2.1	4.5
5500	9.2	7.5	2.8	1.7	1.6	2.2	5
6800	9.1	6.6	4.4	2.5	1.8	2.4	5.5
11000	11.1	7.5	6.6	3.1	2.1	2.8	6.4
16500	14.6	7.5	5.8	3.2	2.8	3.4	9
22000	15.2	7.5	11.8	3.9	2.8	3.4	9

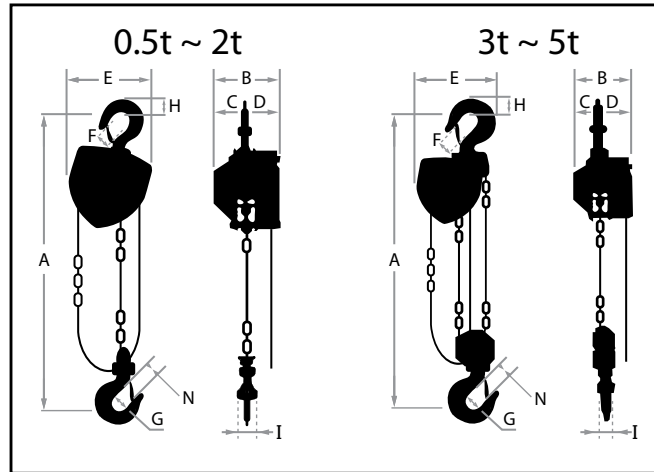




## C-21 MANUAL CHAIN HOIST

- Grade 105 galvanized load chain, which adheres to the strict German DIN 5684 standard
- Zinc plated hand chain
- Heavy duty frame
- Lightweight lifting capacity ratio, a 1 ton unit with 10' lift weighs 20% less than other Japanese hoists
- Long lasting friction discs
- Extremely wear resistant
- Load chain, hooks, and braking parts have a safety factor of 4+ times. 0.5t ~ 1t units have a safety factor of 5+ times.
- Durable powder coat finish





5 ton model has triple falls

**SPECIFICATIONS - C-21 MANUAL CHAIN HOIST**

Model	Max working load (lbs)	Max working load (mt)	Standard Lift (ft)	Manufacturer's Test Load	Headroom (in) Dim. A	Hand Effort to Lift Full Working Load (lbf)	Load Chain		Hand Chain	Net Weight (lbs)
							Dia. X Pitch (mm)	No. of Falls	Dia. X Pitch (mm)	
C21-0.5	1100	0.5	10	150% Max. working load	10.9	57.3	4.3 x 12	1	4.5 x 23.0	15
C21-1	2200	1	10		12.2	70.6	5.6 x 17			22
C21-1.5	3500	1.5	10		13.4	72.8	6.5 x 19			28
C21-2	4400	2	10		15	72.8	7.5 x 21	37		
C21-3	6600	3	10		18.9	83.8	6.5 x 19	2		43
C21-5	11000	5	10		21.9	74.9	7.5 x 21	3		75

**DIMENSIONS (IN.) - C-21 MANUAL CHAIN HOIST**

Capacity( lbs )	A	B	C	D	E	F	G	H	I	N
C21-0.5	10.9	5.2	2.2	3	4.8	1.2	1.4	0.63	0.51	0.95
C21-1	12.2	5.7	2.4	3.3	5.8	1.4	1.7	0.87	0.63	1.2
C21-1.5	13.4	6	2.7	3.3	6.6	1.4	1.7	1	0.83	1.2
C21-2	15	6.5	3	3.5	7.6	1.7	2.1	1.2	0.87	1.4
C21-3	18.9	9	2.7	3.3	8.2	1.7	2.1	1.4	1.1	1.4
C21-5	21.9	6.5	3	3.5	11.7	2.3	2.8	1.8	1.3	1.8

**WARNING**  
**ELEPHANT'S ORIGINAL LONG-LIFE CHAIN MUST BE USED FOR THIS HOIST!**

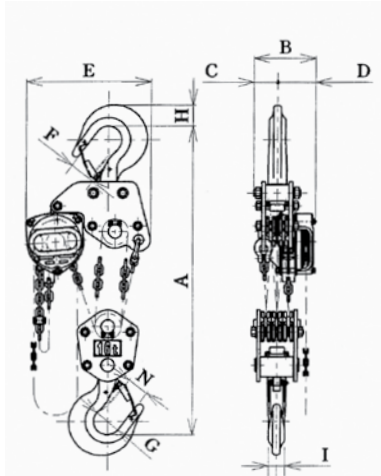




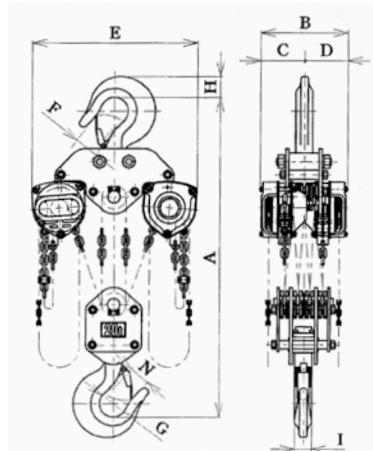
## SUPER 100 LARGE CAPACITY CHAIN HOIST

- Overload protection safety device
- Grade 105 galvanized load chain, which adheres to the strict German DIN 5684 standard
- Galvanized hand chain
- Double pawls supporting fail-safe brake mechanism
- Load sheave with roller bearing
- The tough reinforced gear case has four ribs and four knock pins, providing accurate gear centering and high mechanical efficiency
- Rolled edge hand wheel cover
- Heavy duty electrostatic powder coating
- Long life friction discs

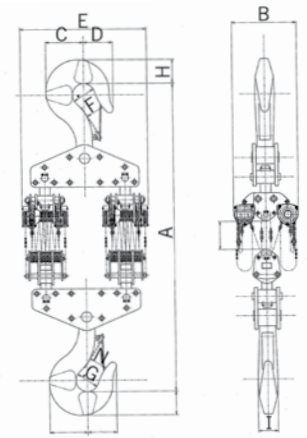




H100-16



H100-20 ~ H100-50



H100-80

**SPECIFICATIONS - SUPER 100 LARGE CAPACITY CHAIN HOIST (16-80 ton)**

Model	Max working load (lbs)	Max working load (mt)	Test Load (mt)	Standard Lift (ft)	Headroom (in)	Hand Effort to Lift Full Working Load (lbf)	Load Chain			Hand Chain Dia. X Pitch (mm)	Net Weight (lbs)
							Dia. X Pitch (mm)	No. of Falls	Chain Class		
H100-16	35,000	16	20	10	38.78	88 x 1	9 x 27	6	+V	5 x 23.5	326
H100-20	44,000	20	25	10	44.09	79 x 2	9 x 27	8	+V	5 x 23.5	463
H100-32	70,500	32	40	10	50.79	108 x 2	9 x 27	10	+V	5 x 23.5	650
H100-40	88,000	40	50	10	57.09	104 x 2	9 x 27	14	+V	5 x 23.5	1025
H100-50	110,000	50	62.5	10	59.84	110 x 2	9 x 27	16	+V	5 x 23.5	1213
H100-80	176,000	60	100	10	126.00	104 x 4	9 x 27	28	+V	5 x 23.5	5512

**DIMENSIONS (IN.) - SUPER 100 LARGE CAPACITY CHAIN HOIST (16-80 ton)**

Capacity( lbs )	A min.	B	C	D	E	F	G	H	I	N
H100-16	38.78	9.25	3.54	5.71	19.37	3.78	4.02	3.11	2.44	3.19
H100-20	44.09	14.21	7.11	7.11	28.39	3.78	4.41	3.35	2.76	3.23
H100-32	50.79	15.79	7.89	7.89	28.39	4.57	5	4.45	3.43	4.09
H100-40	57.09	19.41	9.7	9.7	28.78	3.70	5.75	5.31	4.92	4.25
H100-50	59.84	21.3	10.65	10.65	28.78	4.06	6.54	6.14	5.39	4.72
H100-80	126.00	28.7	15.7	12.2	55.10	7.00	9.4	9.8	8.3	7.0



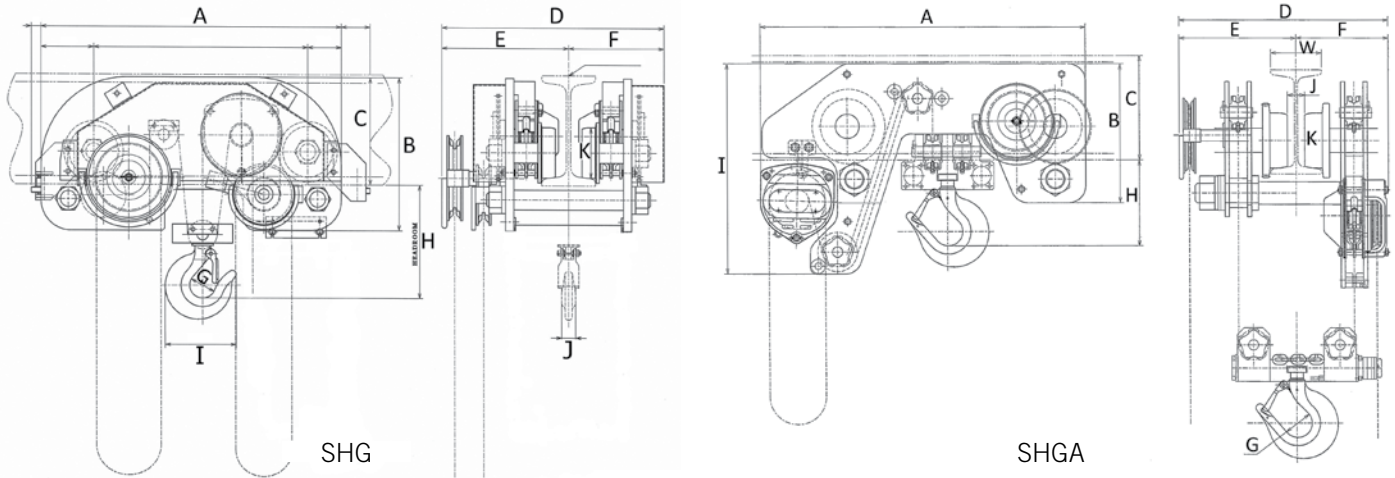


**SHG ULTRA  
LOW PROFILE  
TROLLEY HOIST  
0.5t~20t**

**SHGA ADJUSTABLE  
LOW PROFILE  
TROLLEY HOIST  
1t~10t**







**SPECIFICATIONS - SHG & SHGA LOW PROFILE TROLLEY HOIST**

Model	Capacity (metric ton)	Test load (metric ton)	Standard Lift (ft)	Dia. of Load Chain (mm) X Falls	Hand Effort to Lift (lbf)	Hand Effort to Traverse (lbf)	Headroom Dim. H (in)	I Beam Width Dim. W (in)
SHG-0.5	0.5	750kg	8	5x4	55	11	5.15	Manufactured to Specification
SHG-1	1	1.5	8	5x4	62	11	6.10	
SHG-1.6	1.6	2.4	8	5x4	84	9	7.08	
SHG-2	2	3	10	7.1x2	82	12	7.08	
SHG-3.1	3.15	4.8	10	7.1x4	84	18	7.91	
SHG-5	5	7.5	10	7.1x4	84	25	8.85	
SHG-10	10	12.5	10	9x4	88	60	10.23	
SHG-10B	10	12.5	10	9x4	88	60	11.40	
SHG-20	20	25	10	9x8	110	88	15.75	
SHGA-1	1	1.25	10	5.0x2	62	11	4.50	
SHGA-2	2	2.5	10	7.1x2	82	12	5.70	3.9 to 5.9
SHGA-3.1	3.1	4	10	7.1x2	84	18	6.30	4.9 to 6.8
SHGA-5	5	6.3	10	9.0x2	84	25	7.70	4.9 to 6.8
SHGA-10	10	12.5	10	9.0x4	88	60	9.90	5.9 to 7.4

**DIMENSIONS (IN.) - SHG & SHGA LOW PROFILE TROLLEY HOIST**

Model	A	B	C	D	E	F	G	I	J	K	Unit Weight (lbs) with 10' Lift
SHG-0.5	26.8	11.0	7.0	19.6	11.4	8.2	1.6	7.2	0.5	3.2	132
SHG-1	26.8	11.0	7.0	19.6	11.4	8.2	1.9	3.9	0.7	3.2	135
SHG-1.6	26.8	11.0	7.1	19.6	11.4	8.2	2.6	5.4	1.0	3.9	154
SHG-2	26.8	11.0	7.1	19.6	11.4	8.2	2.6	5.4	1.0	3.9	154
SHG-3.1	30.5	13.7	8.9	20.3	11.6	8.7	2.4	6.5	1.2	4.5	331
SHG-5	32.7	13.7	8.9	21.5	12.0	9.4	2.8	6.1	1.4	4.9	551
SHG-10	36.9	16.5	11.0	22.6	12.7	9.9	3.3	9.0	1.8	6.2	772
SHG-20	45.2	19.6	13.1	24.2	13.5	10.7	4.4	12.1	2.7	7.8	1874
SHGA-1	20.5	7.9	5.9	E+F	8.7 - 9.7	7.2-8.1	1.7	12.6	1.3-3.3	3.1	135
SHGA-2	25.6	9.8	7.9	E+F	9.02-10.2	8.0-9.0	2.1	15.7	1.8-3.8	3.9	154
SHGA-3.1	27.6	11.0	9.8	E+F	10.1-11.1	9.0-10.1	2.4	17.7	2.6-4.6	4.5	331
SHGA-5	33.9	13.8	9.8	E+F	12.75-13.75	10.9-11.9	2.8	22.4	1.8-3.8	4.9	551
SHGA-10	37.6	15.7	11.8	E+F	13.5-14.7	10.7-11.5	3.3	24.0	2.0-3.5	6.2	771





## H100 SPARK RESISTANT SERIES

- 0.5t through 20t Capacity
- Hand chain hoists, push & geared trolleys
- II 2 GD c II B T105 °C
- Adheres to the Council Directive and Standards in the EU for explosion proof manual chain hoists.  
94/9/EC : ATEX EN1127-1 :2008,  
EN13463-1 : 2009, EN13463-5 : 2003
- EX Super 100 hoist dimensions are physically identical to the Super 100 series, see page 5
- Push & geared trolley dimensions are identical to the P and G series of trolleys, see page 21
- Lug mounted units are identical to integral trolley hoists on page 19

**Note:**

It is the user's responsibility to properly identify which spark resistant classification is required for their application, not the hoist manufacturer or distributor.



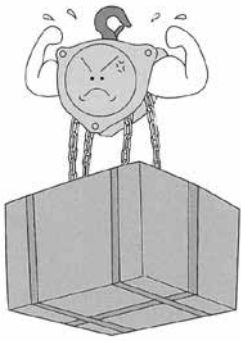
## CORROSION RESISTANT HOISTS, TROLLEYS & BEAM CLAMPS

- Hoists are 100% nickel plated with stainless steel fasteners
- Hoists are lubricated with FDA approved food-grade grease within the internal gearing
- Hoists have 316 stainless steel hand chain
- Hoist dimensions & performance specifications are identical to the KIIOP and Super 100 series, see pages 5 and 9
- Grippa corrosion resistant trolleys are constructed with 100% stainless steel components
- 100% stainless steel beam clamps are also available

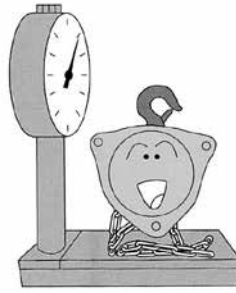




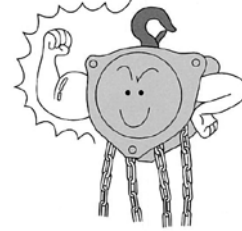
## HOISTMAN MINI CHAIN HOIST



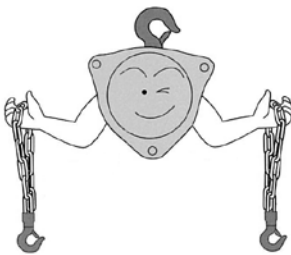
150kg & 250kg



HM25 with 10' Lift Weighs 6 lbs.



Safe and Rugged



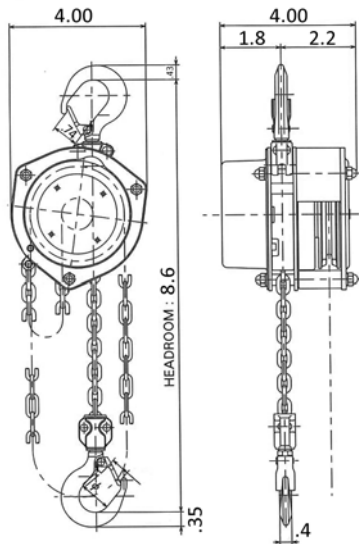
Load Chain Weighs 0.2 lbs. per foot



Powder Coated Paint with Rust-Resistant Galvanized Load Chain and Stainless Steel Hand chain



Light and compact  
Good for working in high places



Above schematic measured in inches

**DIMENSIONS (IN.) - HOISTMAN MINI**

Model	HM-15	HM-25
Capacity (lbs)	330	550
Capacity (kg)	150	250
Test Load (lbs)	496	826
Lift (ft)	10	10
Headroom (in)	8.6	8.6
Hand Effort / Full Working Load (lbf)	368	432
Dia. X Pitch (mm) of Load Chain	3	3
Grade of Load Chain	+V	+V
Dia. X Pitch (mm) of Hand Chain	2.5 x 14	2.5 x 14
Length of Hand Chain (ft)	8.5	8.5
Weight (lbs)	7	6





## POWER HOISTMAN CORDLESS DRILL DRIVEN & HAND CRANK HOIST

The Power Hoistman is beneficial for areas that lack electrification, useful within narrow spaces, and low headroom applications. The hoist can be operated by:

- Connecting a power drill directly to the drive mechanism
- Connecting a power drill to the flexible drive shaft
- Using the hand crank directly to the drive mechanism
- Connecting the hand crank handle to the flexible drive shaft
- Standard product is attached with powershaft 5ft, a bit and a handle
- Lifting speed meets the specifications (see pg 19) when r.p.m. of cordless driver drill is 1,300
- Please apply 15.6V cordless driver drill to EHM-F-38.
- Do not use electric or pneumatic impact driver.

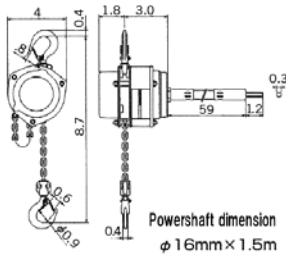


### 4 METHODS OF OPERATING THE HOIST

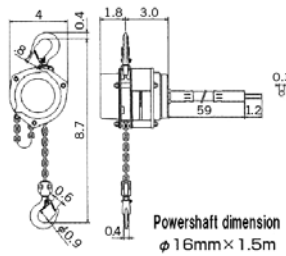


SPECIFICATIONS - POWER HOISTMAN CORDLESS DRILL DRIVEN & HAND CRANK HOIST											
Model	Kind of Cordless Driver Drill	With Powershaft		Direct Connection		Standard Lift (ft)	Test Load (lbs)	Headroom (in)	Length of Power Shaft (ft)	Load Chain Dia x Pitch (mm)	Weight w/ Power Shaft (lbs)
		Rated Load (lbs)	Lifting Speed (ft / min)	Rated Load (lbs)	Lifting Speed (ft / min)						
EHMF-12.5	12V	275	10	275	10	10	125%	8.7	5	3.1 x 9.3	9
EHMF-20	12V	400	6	400	6	10	125%	8.7	5	3.1 x 9.3	9
EHMF-38	15.6V	838	5.5	838	5.5	10	125%	10.8	5	4.3 x 12	12

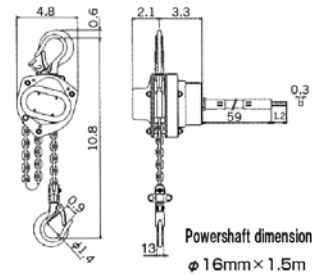
EHMF 12.5  
Rated load 275 lbs.



EHMF 20  
Rated load 400 lbs.



EHMF 38  
Rated load 838 lbs.



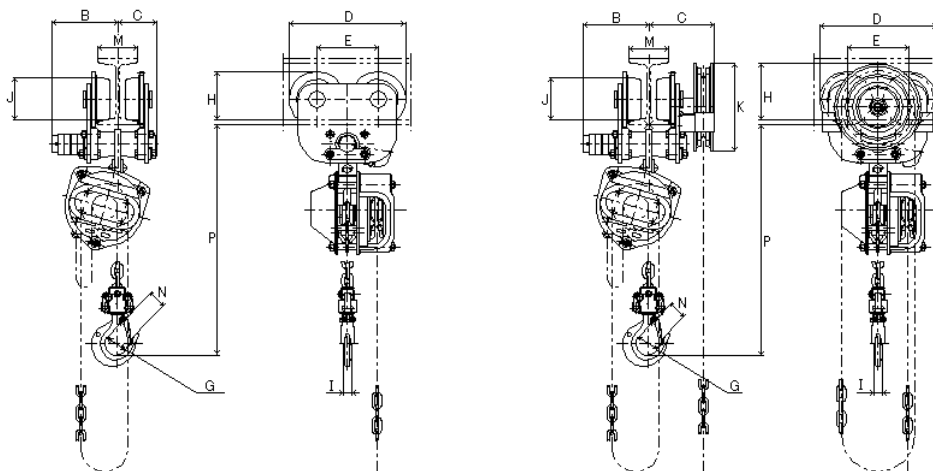
All schematics measured in inches





## ELEPHANT INTEGRAL LUG MOUNT TROLLEY HOISTS, PUSH & GEARED

- Overload protection safety device
- Grade 105 galvanized load chain, which adheres to the strict German DIN 5684 standard
- Galvanized hand chain
- Double pawls supporting fail-safe brake mechanism
- Load sheave with roller bearing
- The tough reinforced gear case has four ribs and four knock pins, providing accurate gear centering and high mechanical efficiency
- Rolled edge hand wheel cover
- Heavy duty electrostatic powder coating
- Long life friction discs
- Suitable for operation within a  $-4^{\circ} \sim 140^{\circ} \text{F}$  temperature range
- Adjustable to fit various beam widths
- A solid carbon steel design
- The wheels of the trolley fit both I-Beams and H-Beams
- Trolley wheels are parkerized for corrosion resistance
- High quality closed bearings provide smooth traversing
- With Anti-Drop plates



Above schematics are reference only, they are not accurate portrayals for all capacities.  
Reference pages 5 and 21 for complete hoist & trolley information.

**SPECIFICATIONS - ELEPHANT INTEGRAL LUG MOUNT TROLLEY HOISTS, PUSH & GEARED**

Capacity (mt)	Product Code	Std. Lift (ft)	Beam Width (in)	Min. Beam Radius (ft)	Combined Headroom (in)
0.5	HP(HG)100-0.5	10	2.3 to 5.11	2.95	11.7
1	HP(HG)100-1		2.3 to 5.11	3.61	12.5
1.6	HP(HG)100-1.6		2.7 to 6.1	3.93	14.5
2	HP(HG)100-2		2.7 to 6.1	3.93	15.8
3.1	HP(HG)100-3.1		3.5 to 6.2	5.58	20.5
5	HP(HG)100-5		3.54 to 7.08	7.55	24.8
7.5	HP(HG)100-7.5		5.91 to 5.89	9.84	28.5
10	HP(HG)100-10		5.91 to 6.89	9.84	31.4

**DIMENSIONS (IN) - ELEPHANT INTEGRAL LUG MOUNT TROLLEY HOISTS, PUSH TYPE**

Capacity (t)	P	B	C	D	E	G	H	I	J	N
0.5	11.7	3.9	3.9	7.5	3.9	1.4	3.4	0.5	2.7	1.0
1	12.5	3.9	3.8	8.7	4.5	1.6	3.9	0.6	3.1	1.1
1.6	14.5	4.6	4.6	10.1	5.3	1.8	4.6	0.7	3.8	1.3
2	15.8	4.6	4.6	10.1	5.3	2.0	4.6	0.8	3.8	1.4
3.1	20.5	4.6	4.8	11.3	5.9	2.3	5.3	1.0	4.5	1.7
5	24.8	5.5	5.8	12.8	6.6	2.7	6.0	1.3	4.9	2.0
7.5	28.5	6.9	6.9	17.0	8.6	8.6	8.3	1.8	6.2	2.5
10	31.4	6.9	6.9	17.0	8.6	8.6	8.3	1.8	6.2	2.5

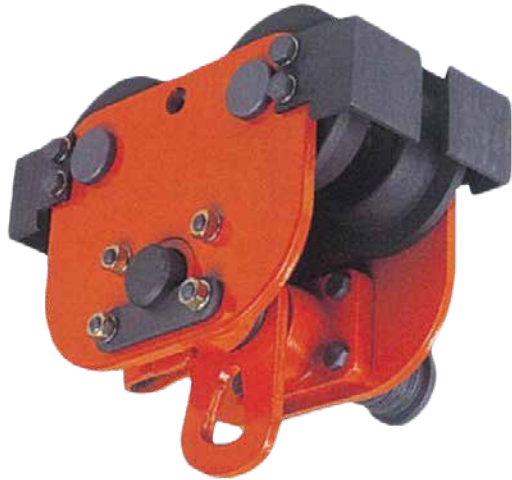
**DIMENSIONS (IN) - ELEPHANT INTEGRAL LUG MOUNT TROLLEY HOISTS, GEARED TYPE**

Capacity (t)	P	B	C	D	E	G	H	I	J	K	N
0.5	11.7	3.9	5.6	7.5	3.9	1.4	3.7	0.5	2.7	5.3	1.0
1	12.5	3.9	5.8	8.7	4.5	1.6	4.5	0.6	3.1	6.4	1.1
1.6	14.5	4.6	6.3	10.1	5.3	1.8	5.6	0.7	3.8	7.7	1.3
2	15.8	4.6	6.3	10.1	5.3	2.0	5.6	0.8	3.8	7.7	1.4
3.1	20.5	4.6	6.3	11.3	5.9	2.3	5.8	1.0	4.5	7.7	1.7
5	24.8	5.5	7.5	12.8	6.6	2.7	6.4	1.3	4.9	8.3	2.2
7.5	28.5	6.9	12.0	17.0	8.6	3.3	8.9	1.8	6.2	9.8	2.9
10	31.4	6.9	12.1	17.0	8.6	3.3	8.9	1.8	6.2	9.8	2.9

- 1) Dimension B and C are applicable when beam width is max.
- 2) Dimension H is applicable when beam thickness is max.
- 3) For Dimension M, please check the beam width on the specifications.
- 4) Dimension N is applicable when safety latch is opened.
- 5) Contact the factory for wide beam applications



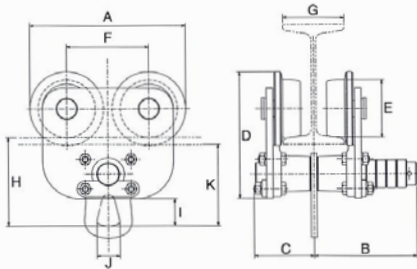




## ELEPHANT PUSH & GEARED TYPE TROLLEYS

- Adjustable to fit various beam widths
- A solid carbon steel design
- The wheels of the trolley fit both I-Beams and H-Beams
- Trolley wheels are parkerized for corrosion resistance
- High quality closed bearings provide smooth traversing
- With Anti-Drop plates





The shape of the plain trolley for more than 8 ton is different from above drawing.

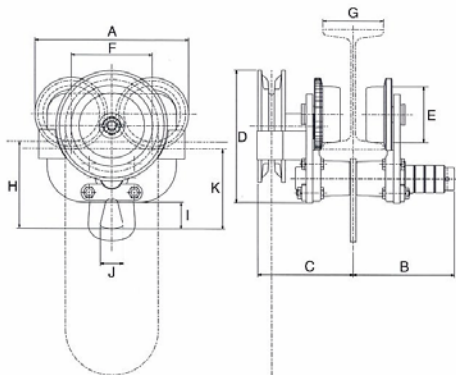
**SPECIFICATIONS - ADJUSTABLE PLAIN TROLLEY**

Model	Capacity (lbs)	Capacity (mt)	I-beam Width G (in)	Min. radius of I-beam (in)	Net Weight (lbs)
P-0.5	1102	0.5	2.3 - 5.11	35.4	18
P-1	2204	1	2.3 - 5.11	43.3	28
P-1.6	3527	1.6	2.7 - 6.1	47.2	47
P-2	4409	2	2.7 - 6.1	47.2	47
P-3.1	6944	3.15	3.5 - 6.2	66.93	60
P-5	11023	5	3.54 - 7.08	90.55	107
P-8	17636	8	4.92 - 7.48	118.11	216
P-10	22046	10	4.92 - 7.48	118.11	221
P-15	33069	15	5.90 - 7.48	236.22	650
P-20	44092	20	5.90 - 7.48	236.22	882

Special extender kits are available for large beam width applications

**DIMENSIONS (IN.) - ADJUSTABLE PLAIN TROLLEY**

Model	A	B	C	D	E	F	H	I	J	K
P-0.5	7.5	5	2.9	6.1	2.7	3.9	4.2	1.3	1.1	3.9
P-1	8.7	5	2.9	6.7	3.1	4.5	4.4	1.2	1.1	4
P-1.6	10.2	5.6	3.7	8.1	3.8	5.3	5.9	2	1.5	5.5
P-2	10.2	5.6	3.7	8.1	3.8	5.3	5.9	2.1	1.5	5.5
P-3.1	11.3	5.7	3.8	9.4	4.5	5.9	7.1	2.5	1.9	6.6
P-5	12.9	6.5	4.9	11.4	4.9	6.6	8.7	2.9	2.3	8.2
P-8	17	6.5	7	13	6.2	8.6	9.6	3.9	3.1	9.1
P-10	17	7	7	13	6.2	8.6	9.6	3.9	3.1	9.1
P-15	22.8	9	9	18.2	7.7	11.6	10.7	3.3	3.7	9.7
P-20	22.8	9	9	18.2	7.7	11.6	10.7	3.3	3.7	9.7



The shape of the geared trolley for more than 8 ton is different from above drawing.

**SPECIFICATIONS - ADJUSTABLE GEARED TROLLEY**

Model	Capacity (lbs)	Capacity (mt)	I-beam Width G (in)	Diameter x pitch of Hand Chain	Min. radius of I-beam (in)	Net Weight (lbs)
G-0.5	1102	0.5	2.3 - 5.11	5 x 22.5	35.4	27
G-1	2204	1	2.3 - 5.11	6 x 26.6	43.3	35
G-1.6	3527	1.6	2.7 - 6.1	6 x 26.6	47.2	54
G-2	4409	2	2.7 - 6.1	6 x 26.6	47.2	65
G-3.1	6944	3.15	3.5 - 6.2	6 x 26.6	66.93	74
G-5	11023	5	3.54 - 7.08	6 x 26.6	90.55	123
G-8	17636	8	4.92 - 7.48	5 x 23.6	118.11	236
G-10	22046	10	4.92 - 7.48	5 x 23.6	118.11	258
G-15	33069	15	5.90 - 7.48	5 x 23.6	236.22	695
G-20	44092	20	5.90 - 7.48	5 x 23.6	236.22	926
G-30	66138	30	7.48	5 x 23.6	472.44	1323

Special extender kits are available for large beam width applications

**DIMENSIONS (IN.) - ADJUSTABLE GEARED TROLLEY**

Model	A	B	C	D	E	F	H	I	J	K
G-0.5	7.5	5	4.6	6.4	2.7	3.9	4.2	1.3	1.1	3.9
G-1	8.7	5	4.8	7.3	3.1	4.5	4.4	1.2	1.1	4
G-1.6	10.2	5.6	5.3	9.1	3.8	5.3	5.9	2	1.5	5.5
G-2	10.2	5.6	5.3	9.1	3.8	5.3	5.9	2.1	1.5	5.5
G-3.1	11.3	5.7	5.3	9.9	4.5	5.9	7.1	2.5	1.9	6.6
G-5	12.9	6.5	6.5	11.8	4.9	6.6	8.7	2.9	2.3	8.2
G-8	17	7.4	11.7	12.1	6.2	8.6	9.6	3.9	3.1	9.1
G-10	17	7.4	11.8	12.1	6.2	8.6	9.6	3.9	3.1	9.1
G-15	22.8	9	12.8	17.4	7.7	11.6	10.7	3.3	3.7	9.7
G-20	22.8	9	12.9	17.4	7.7	11.6	10.7	3.3	3.7	9.7
G-30	36.8	12	17.4	22.7	9.6	23.6	23.1	7.2	5.9	22.1

\*If being paired with a motorized hoist, please consult with Elephant before proceeding. The brackets and connector between the side plates will change, to accommodate stresses generated by motorized hoists.



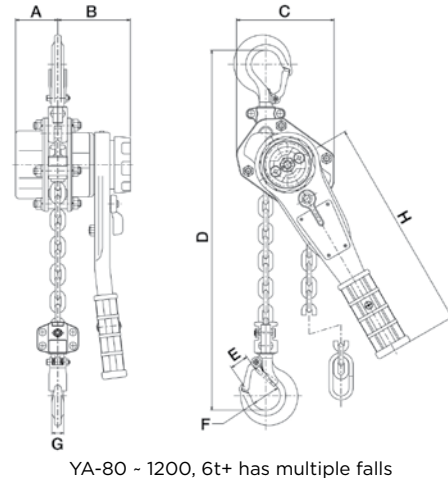
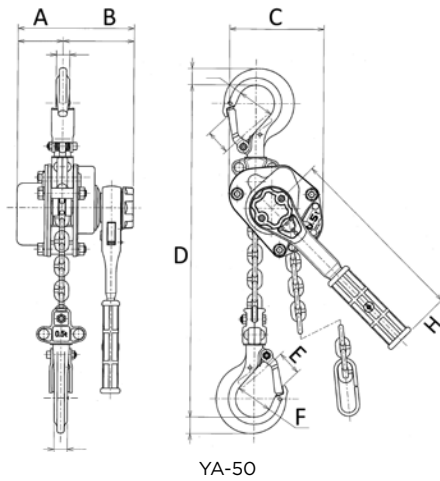


Patent and Copyright Registered

## YA LEVER HOIST

- Rounded lever design for smooth operation when placed against flat surfaces
- Grade 105 galvanized load chain, which adheres to the strict German DIN 5684 standard.
- True one touch free spooling, which automatically brakes when a load is applied.
- Redesigned hooks with tip supporting safety latch
- Hoist body has an electro-deposited black finish for corrosion resistance
- Ratchet recovery of 16.5° for 0.8t-1t and 14° for 1.6t-12t
- Internal side plates have hardened steel bushings for excellent load sheave & pinion support
- Internal side plates, pinion, pawls, and pawl springs have an electro-deposited coating that helps resist corrosion
- Internal disc hub and ratchet wheel are nickel plated for corrosion resistance
- Suitable for operation within a -4° ~ 140° F temperature range





**SPECIFICATIONS - YA LEVER HOIST**

Model	Capacity (lbs)	Capacity (mt)	Standard Lift (ft)	Hand Effort to Lift Full Working Load (lbf)	Dia. of Load Chain (mm)	Net Weight (lbs)	Load Chain Min Breaking Load	Safety Factor
YA-50	1100	0.5	5	82	4.3	7	5.2+	5.2
YA-80	1760	0.8	5	66	5.6	13	5.2+	6.5
YA-100	2200	1	5	82	5.6	14	5.2+	5.2
YA-160	3520	1.6	5	66	7.1	20	8.3+	5.3
YA-320	7040	3.2	5	82	9	34	13.4+	4.2
YA-630	13,860	6.3	5	84	9 x 2	59	26.8+	4.3
YA-900	19,800	9	5	86	9 x 3	93	40.2+	4.5
YA-1200	26,400	12	5	88	9 x 4	159	53.6+	4.2

\*Test Load is 150% of Rated Load

**DIMENSIONS (IN.) - YA LEVER HOIST**

Model	A	B	C	D	E	F	G	H
YA-50	1.7	2.7	3.6	9.4	0.94	1.4	0.51	7.0
YA-80	2.1	3.6	4.8	11.4	0.91	1.4	0.59	10.6
YA-100	2.1	3.6	4.8	12.3	1.1	1.7	0.63	10.6
YA-160	2.5	3.9	5.4	13.9	1.2	1.7	0.83	12.2
YA-320	3.3	4.1	7.1	16.2	1.4	2.1	1.1	12.2
YA-630	3.3	4.1	9.3	22.2	1.9	2.8	1.3	12.2
YA-900	3.3	4.1	11.8	27.1	2.9	3.4	1.88	12.2
YA-1200	3.25	4.09	14.57	31.06	2.91	3.35	1.87	12.2

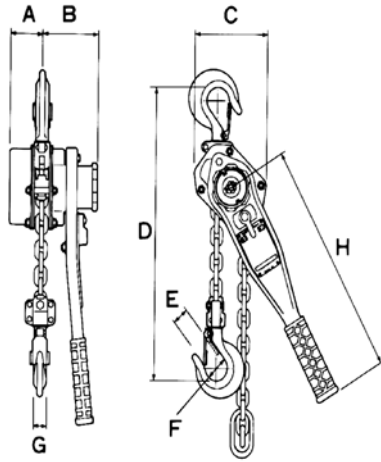
\* Specifications & Dimensions are subject to change without notice



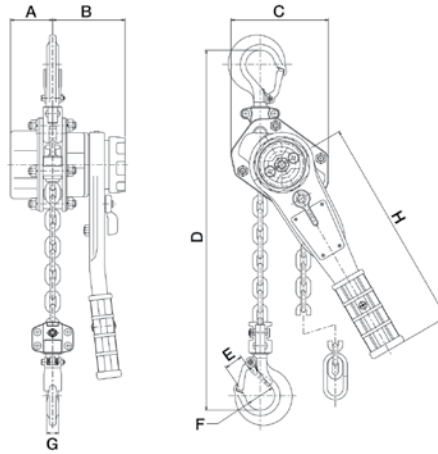


## YAIII LEVER HOIST WITH OVERLOAD PROTECTION

- The torcon overload protection safety device engages when the hoist is overloaded, helping to prevent damage to the hoist, as well as injury to personnel.
- Grade 105 galvanized load chain, which adheres to the strict German DIN 5684 standard.
- True one touch free spooling, which automatically brakes when a load is applied.
- Redesigned hooks with tip supporting safety latch
- Hoist body has an electro-deposited black finish for corrosion resistance
- Ratchet recovery of 16.5° for 0.8t-1t and 14° for 1.6t-12t
- Internal side plates have hardened steel bushings for excellent load sheave & pinion support
- Internal side plates, pinion, pawls, and pawl springs have an electro-deposited coating that helps resist corrosion
- Internal disc hub and ratchet wheel are nickel plated for corrosion resistance
- Suitable for operation within a -4° ~ 140° F temperature range



Above reference is for YIII-50, Design of YIII-50 is slightly different than this schematic.



YA-80 - 1200, 6t+ has multiple falls

**SPECIFICATIONS - YA LEVER HOIST**

Model	Capacity (lbs)	Capacity (mt)	Standard Lift (ft)	Hand Effort to Lift Full Working Load (lbf)	Dia. of Load Chain (mm)	Net Weight (lbs)	Load Chain Min Breaking Load	Safety Factor
YIII-50	1100	0.5	5	75	5	8	4+	4
YAIII-80	1760	0.8	5	66	5.6	13	5.2+	6.5
YAIII-100	2200	1	5	82	5.6	14	5.2+	5.2
YAIII-160	3520	1.6	5	66	7.1	20	8.3+	5.3
YAIII-320	7040	3.2	5	82	9	34	13.4+	4.2
YAIII-630	13,860	6.3	5	84	9 x 2	59	26.8+	4.3
YAIII-900	19,800	9	5	86	9 x 3	93	40.2+	4.5
YAIII-1200	26,400	12	5	88	9 x 4	159	53.6+	4.2

\*Test Load is 150% of Rated Load

**DIMENSIONS (IN.) - YA LEVER HOIST**

Model	A	B	C	D	E	F	G	H
YIII-50	1.04	3.3	3.3	10.4	0.9	1.4	0.6	11.2
YAIII-80	2.1	3.6	4.8	11.4	0.91	1.4	0.59	10.6
YAIII-100	2.1	3.6	4.8	12.3	1.1	1.7	0.63	10.6
YAIII-160	2.5	3.9	5.4	13.9	1.2	1.7	0.83	12.2
YAIII-320	3.3	4.1	7.1	16.2	1.4	2.1	1.1	12.2
YAIII-630	3.3	4.1	9.3	22.2	1.9	2.8	1.3	12.2
YAIII-900	3.3	4.1	11.8	27.1	2.9	3.4	1.88	12.2
YAIII-1200	3.25	4.09	14.57	31.06	2.91	3.35	1.87	12.2

\* Specifications & Dimensions are subject to change without notice



# YIII LEVER HOIST WITH OVERLOAD PROTECTION

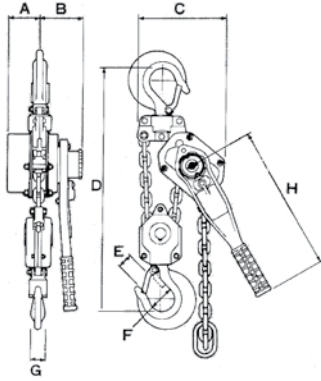


The torcon overload protection safety device engages when the hoist is overloaded, helping to prevent damage to the hoist, as well as injury to personnel.



- Grade 105 galvanized load chain, which adheres to the strict German DIN 5684 standard.
- Free spooling, which automatically brakes when a load is applied.
- Hoist body has an electro-deposited black finish for corrosion resistance
- Internal side plates have hardened steel bushings for excellent load shave & pinion support
- Internal side plates, pinion, pawls, and pawl springs have an electro-deposited coating that helps resist corrosion
- Internal disc hub and ratchet wheel are nickel plated for corrosion resistance

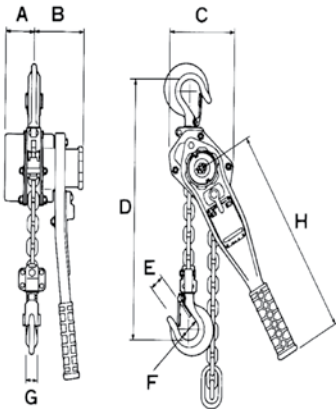




Above Schematic is 6 Ton Model

SPECIFICATIONS - YIII LEVER HOIST							
Model	YIII-50	YIII-80	YIII-100	YIII-160	YIII-320	YIII-630	YIII-900
Rated Load (lbs)	1100	1700	2200	3500	6900	13800	19800
Rated Load (mt)	500kg	800kg	1	1.6	3.15	6.3	9
Standard Lift (ft)	5	5	5	5	5	5	5
Min. Headroom (in)	10.4	11.4	12.2	13.7	16.5	22.4	27.8
Hand Effort to Lift Full Working Load (lbf)	75	66	82	66	82	84	86
Load Chain Dia. (mm)	5	5.6	5.6	7.1	9	9x2	9x3
Number of Chain Falls	1	1	1	1	1	2	3
Grade of Chain (JIS)	+V	+V	+V	+V	+V	+V	+V
Net Weight (lbs)	8	14	14.5	21	34	58	93

\*Test Load is 150% of Rated Load



Above Schematic is 0.5t through 3t Unit.  
Design of YIII-50 is Slightly Different than this Schematic.

DIMENSIONS (IN.) - YIII LEVER HOIST							
Model	YIII-50	YIII-80	YIII-100	YIII-160	YIII-320	YIII-630	YIII-900
A	1.04	2.07	2.07	2.5	3.3	3.3	3.3
B	3.3	3.9	3.9	4.1	4.4	4.4	4.4
C	3.3	4.8	4.8	5.6	7	9.3	11.8
D	10.4	11.4	12.2	13.8	16.5	22.4	27.8
E	0.9	0.9	1.06	1.5	1.4	1.8	2.6
F	1.4	1.4	1.69	1.7	2.08	2.8	3.3
G	0.6	0.59	0.7	0.83	1.1	1.3	1.9
H	11.2	10.6	10.6	15.2	15.6	15.2	15.2



# “MINI” LEVER HOIST

- Grade 105 galvanized load chain, which adheres to the strict German DIN 5684 standard.
- Hoist body has an electro-deposited black finish for corrosion resistance.
- The YA-50 has a unique hook design with tip supporting safety latches
- Both models have a compact design, for use in tight spaces
- Easy to store within a tool bag or tool chest
- Select internal components are nickel coated to help prevent corrosion
- YIII-50 model has an overload protection safety device



**YII-25**

Rated load  
550lbs



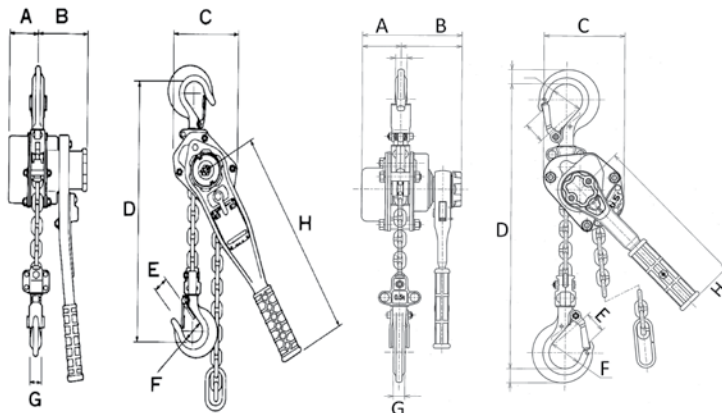
**YA-50**

Rated load  
1100lbs



**YIII-50**

Rated load  
1100lbs



Above reference is for YIII-50, Design of YIII-50 is slightly different than this schematic.

YA-50

SPECIFICATIONS			
Model	YII-25	YA-50	YIII-50
Rated Load (lbs)	550	1100	1100
Rated Load (mt)	250kg	500kg	500kg
Standard Lift (ft)	3.25	5	5
Min. Headroom (in)	9.25	10.4	10.4
Hand Effort to Lift Full Working Load (lbf)	66	75	75
Load Chain Dia. (mm)	4	4	5
Number of Chain Falls	1	1	1
Grade of Chain (JIS)	+V	+V	+V
Net Weight (lbs)	4	8	8

DIMENSIONS (IN.)			
Model	YII-25	YA-50	YIII-50
A	0.82	1.70	1.04
B	2.75	2.70	3.3
C	2.36	3.60	3.3
D	9.25	9.40	10.4
E	0.74	0.94	0.9
F	1.22	1.40	1.4
G	0.47	0.51	0.6
H	6.1	7.00	11.2



## SHIPYARD / UPSET WELDING HOOKS



- **Available in YA & YIII Series**
- **Capacities : 0.8t, 1t, 1.6t, and 3.2t**
- **High Stiffness on Top and Bottom Hooks**  
The hooks have been made stiffer by thoroughly quenching during production. The value of permanent deformation of the breaking load point is now 10% higher than our original hooks.
- **Equipped with Overload Protection (YIIIS Series)**  
The overload protection device of the YIIIS and the durable point load hooks help to prevent damage to the hoist, as well as injury to personnel.
- **Reducing Maintenance Cost (YIIIS Series)**  
The Overload Protection Device of the YIIIS and the durable point load hooks help to prevent damages that a normal hoist without overload protection would endure, thus reducing annual repair cost.
- **Three Protrusions on the Hooks**  
The shipyard hook has protrusions on each side of the hook to help prevent a load from slipping off. The protrusions also help to measure the distance of the hook's opening.
- **Uses:**  
Shipyards, Fabrication Facilities, Upset Welding, Pulling Angle Iron, and other Industrial Applications



## LATCH LOCK HOOKS, POSITIVE LOCKING

- The Latch Lock Hook's design helps to better ensure that your load is secure
- Premium Japanese quality, forged & heat treated
- The special design of the hook and latch offers better longevity in the field
- Simple operation



## ELECTRIC CHAIN HOIST SA TYPE 1 PHASE, 1 SPEED

### Optional Overload Limit Device for the SA Hoists

Our new Torcon overload protection device is a slip clutch style. In the event of an overload, the device actuates and prevents the hoist from continuing to lift. This mechanism protects the hoist from damage.

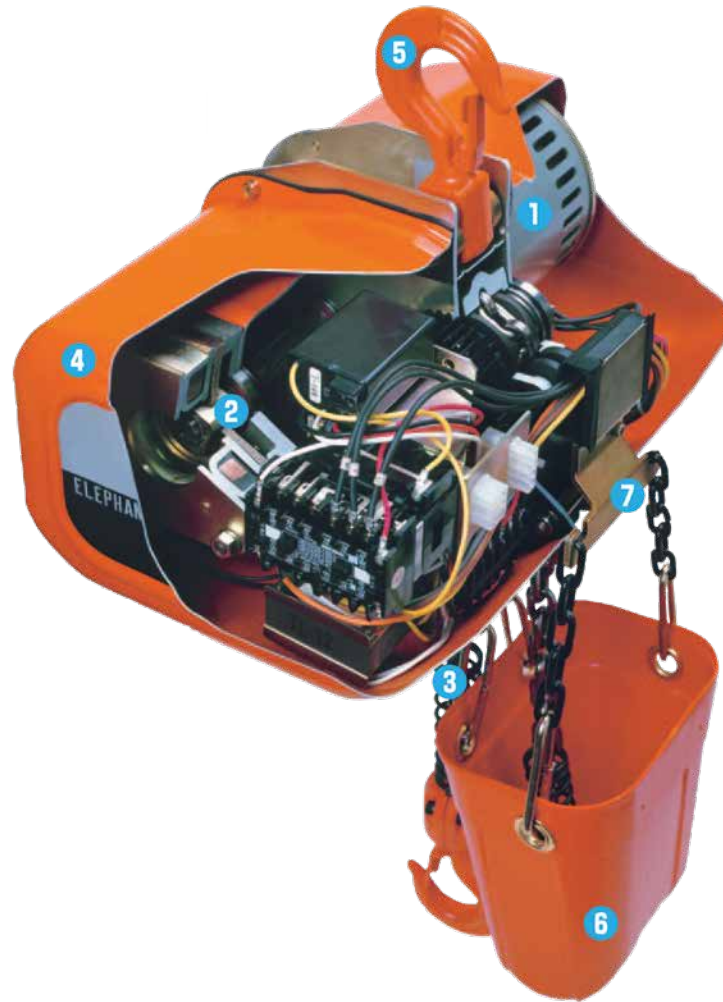
- Single phase class B insulation with a short time duty of 25 minutes.
- Thermal protector - senses abnormal rise in temperatures within the motor and automatically shuts the motor down to prevent damage.

### Optional Motorized Trolleys

- MTS series motorized trolley, single phase, for combination with the SA electric chain hoists. 1/4t - 1 ton only.
- Trolleys come with pivoting adapter for hook to hook type suspension or lug type suspension

### Wiring - Simple Plug-In Type Connection





## FEATURES OF SA/SAM

### 1 Tough, Heavy-Duty Motor

Elephant's unique design for a lower power consumption.

	Insulation class	Short time duty
SA	B	25 minutes

### 2 Reliable Electro-Magnetic DC Brake

### 3 Highly durable load chain manufactured in Japan by Elephant

### 4 Totally Enclosed Steel Plate Construction

### 5 Durable top and bottom hooks

Bottom hook with bearing smoothly swivels, 360°. In the event of an overload, the hook gradually elongates. This elongation serves as an indicator to the end user, making them aware of the overload.

### 6 Chain Bucket Hard plastic

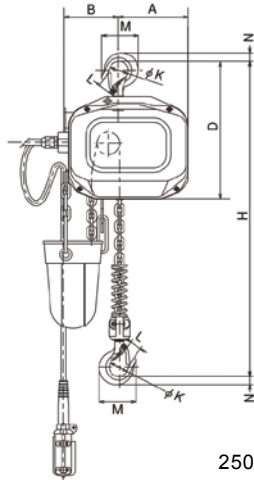
### 7 Limit switch Standard feature

### 8 Ambient temperature range 14°-104° F

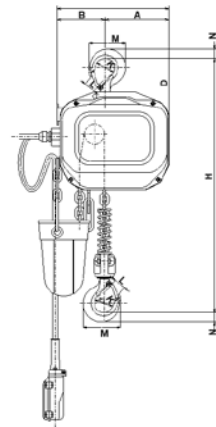
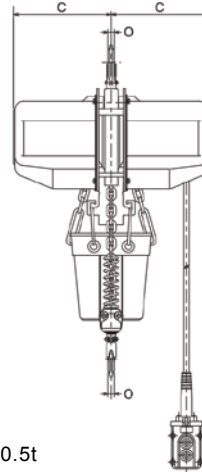
### 9 Ratings JIS/ISO M4, FEM 1AM, ASME H3 Motor, IP54 Hoist Protection, IP65 NEMA 4X Pendant Protection

**Note: This model is not designed for excessive inching or jogging**

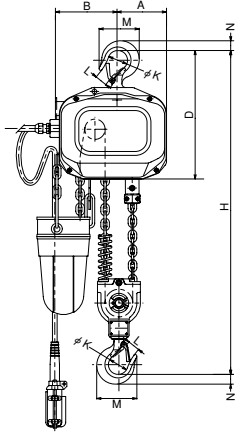
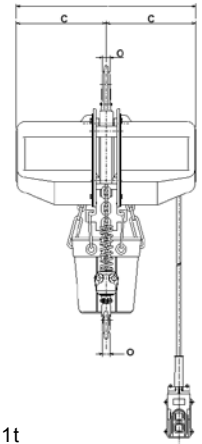
## SA TYPE HOOK SUSPENSION



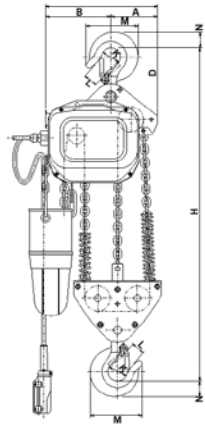
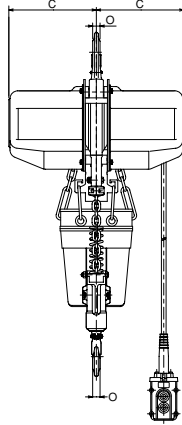
250kg~0.5t



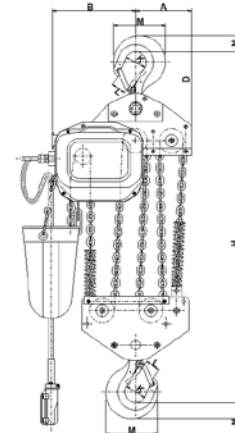
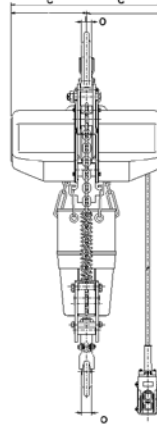
1t



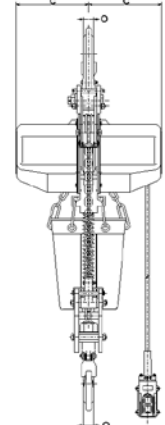
1t w - 2t



3t



5t



### SPECIFICATIONS - SA TYPE HOOK SUSPENSION

Model	W.L.L. (lbs)	W.L.L. (mt)	Test Load (mt)	Standard Lift (ft)	Standard Push Button Cord Length (ft)	Load Chain Dia. X Number of Falls	Lifting Motor Output (H.P.)	Lifting Speed (ft/min)		Min. Distance H (in)	Net Weight
								50Hz	60Hz		
SA-0.25	550	250kg	312.5 kg	10	8	6.3 x 1	0.61	23	27.5	21.85	95
SA-0.5	1100	0.5	0.625	10	8	6.3 x 1	0.61	11.5	13.5	21.85	95
SA-1W	2200	1	1.25	10	8	6.3 x 2	0.61	6	7	26.38	102
SA-1S	2200	1	1.25	10	8	7.1 x 1	1.21	9	10	23.2	136
SA-2	4400	2	2.5	10	8	7.1 x 2	1.21	4	5	29.33	152
SA-3	6600	3	3.75	10	8	7.1 x 3	1.21	3	3.3	33.07	191
SA-5	11000	5	6.25	10	8	7.1 x 5	1.21	1.7	2	38.2	248

### DIMENSIONS (IN.) - SA TYPE HOOK SUSPENSION

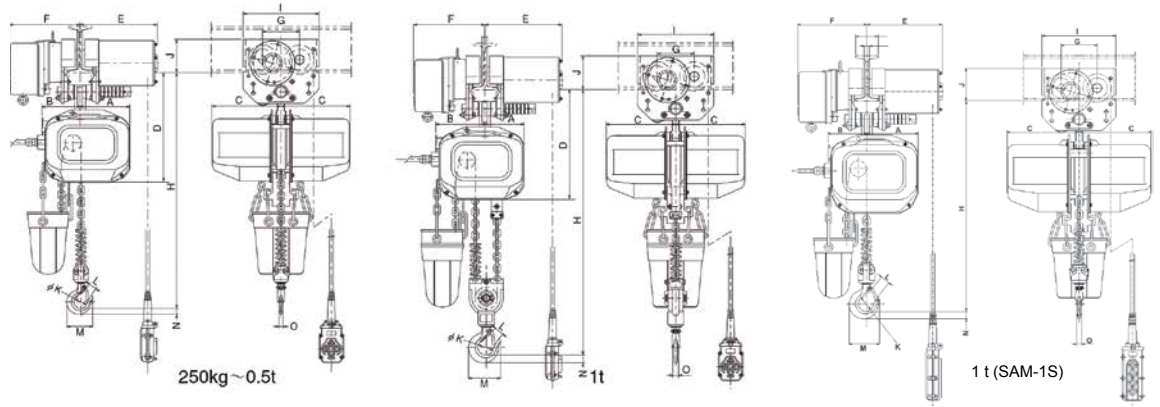
W.L.L. (lbs)	W.L.L. (mt)	A	B	C	D	K	L	M	N	O
550	250kg	6.34	4.88	8.82	12.24	1.69	1.04	3.31	0.75	0.55
1100	0.5	6.34	4.88	8.82	12.24	1.69	1.04	3.31	0.75	0.55
2200	1	5	6.22	8.82	12.97	1.97	1.22	4.06	0.98	0.75
2200	1	6.7	5.04	9.4	5.04	1.96	1.22	3.86	0.98	0.75
4400	2	5.24	6.5	9.4	6.5	2.56	1.5	5.33	1.38	1.02
6600	3	5.82	8.19	9.4	16.8	2.36	1.7	6.5	1.93	1.26
11000	5	7.2	10.74	9.4	19.2	2.76	1.85	6.69	2.08	1.4

\*Contact Factory For Additional Information





## SAM TYPE 1 SPEED HOIST, 1 SPEED MOTORIZED TROLLEY



### SPECIFICATIONS - SAM TYPE (SINGLE SPEED) ELECTRIC CHAIN HOIST WITH ELECTRIC TROLLEY

Model	W.L.L. (lbs)	W.L.L. (mt)	Test Load (mt)	Standard Lift (ft)	Traversing Motor Output (H.P.)	Traversing Speed (ft/min)		Min. Distance H (in) Hook : Lug	Traversing I-Beam Width (in)	Trolley Min. Radius (in)	Net Weight (lbs)
						50Hz	60Hz				
SAM-0.25	550	250kg	312.5 kg	10	0.41	32	39	27.36 (23.62)	2.95 - 5.91	43.31	163
SAM-0.5	1100	0.5	0.625	10		32	39	27.36 (23.62)			
SAM-1	2200	1	1.25	10		32	39	31.89 (27.76)			
SAM-1S	2200	1	1.25	10		32	39	28.74(24.61)			

### DIMENSIONS (IN.) - SAM TYPE (SINGLE SPEED) ELECTRIC CHAIN HOIST WITH ELECTRIC TROLLEY

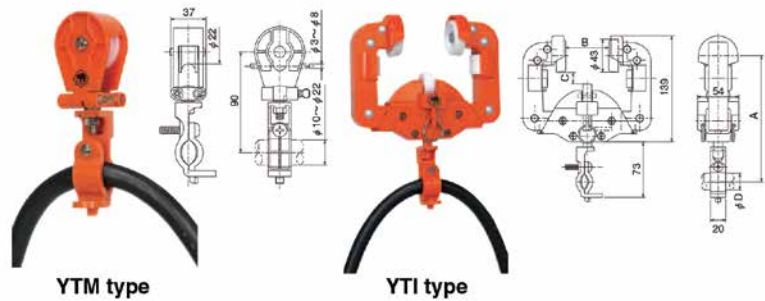
W.L.L. (lbs)	W.L.L. (mt)	A	B	C	D	E	F	G	I	J	K	L	M	N	O	P (Dia. of Wheel)
550	250kg	6.34	4.88	8.82	17.97	9.88	8.6	4.72	9.69	4.49	1.69	1.04	3.31	0.75	0.55	2.68
1100	0.5	6.34	4.88	8.82	17.97	9.88	8.6	4.72	9.69	4.49	1.69	1.04	3.31	0.75	0.55	2.68
2200	1	5	6.22	8.82	20.91	9.88	8.6	4.72	9.69	4.49	1.97	1.22	4.06	0.98	0.75	2.68
2200S	1	6.69	5.04	9.41	19.25	9.88	8.6	4.72	9.69	4.49	1.97	1.22	4.06	0.98	0.75	2.68

## EMERGENCY STOP BUTTON

Standard Feature On Single Phase Units



## CABLE HANGER



### DIMENSIONS (IN.) - CABLE HANGER

Model	I-Beam Width	A	B	C	D (Cable Dia.)
YTI-100	2.95	6.54	1.26	0.59	0.39 - 0.87
	3.94	6.54	2.24	0.59	0.39 - 0.87
YTI-150	4.92	6.54	3.23	0.98	0.39 - 0.87
	5.91	6.54	4.21	0.98	0.39 - 0.87





## ELECTRIC CHAIN HOIST FA TYPE 1 SPEED, 3 PHASE DUAL VOLTAGE & FB TYPE 2 SPEED, 3 PHASE SINGLE VOLTAGE

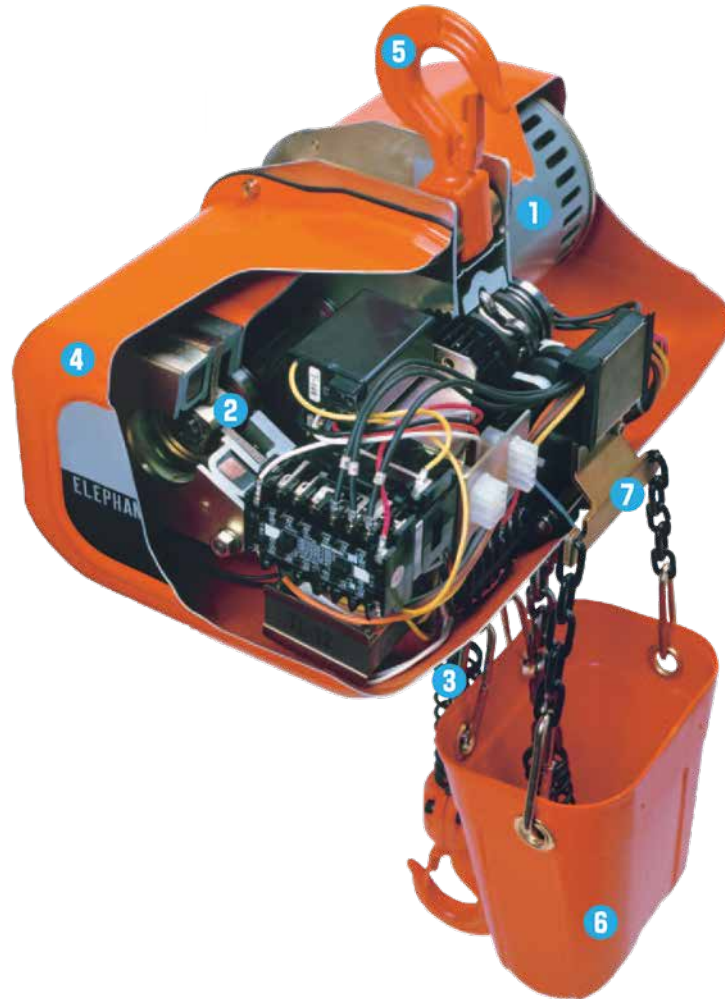
### Optional Overload Limit Device for the FA and FB Hoists

Our new Torcon overload protection device is a slip clutch style. In the event of an overload, the device actuates and prevents the hoist from continuing to lift. This mechanism protects the hoist from damage.

- MAS series motorized trolley, three phase, single speed, slower traversing speed, for combination with the FA series electric chain hoists
- MAF series motorized trolley, three phase, single speed, faster traversing speed, for combination with the FA series electric chain hoists
- MB series motorized trolley, three phase, dual speed, for combination with the FA series electric chain hoists
- Trolleys come with pivoting adapter for hook to hook type suspension or lug type suspension

### Wiring - Simple Plug-In Type Connection





## FEATURES OF FA/FB

### 1 Tough, Heavy-Duty Motor

Elephant's unique design for a lower power consumption.

	Insulation class	Short time duty
FA	E	30 minutes
FB	E	30 minutes (high speed)
		15 minutes (low speed)

**2 Reliable Electro-Magnetic DC Brake** The brake safety factor is more than 3 times of the rated load. A safe electromagnetic, power off brake type. The safe 'power off brake' holds a load when electric power is either accidentally lost, or intentionally disconnected.

**3 Highly durable load chain manufactured in Japan by Elephant**

**4 Totally Enclosed Steel Plate Construction**

**5 Durable top and bottom hooks**

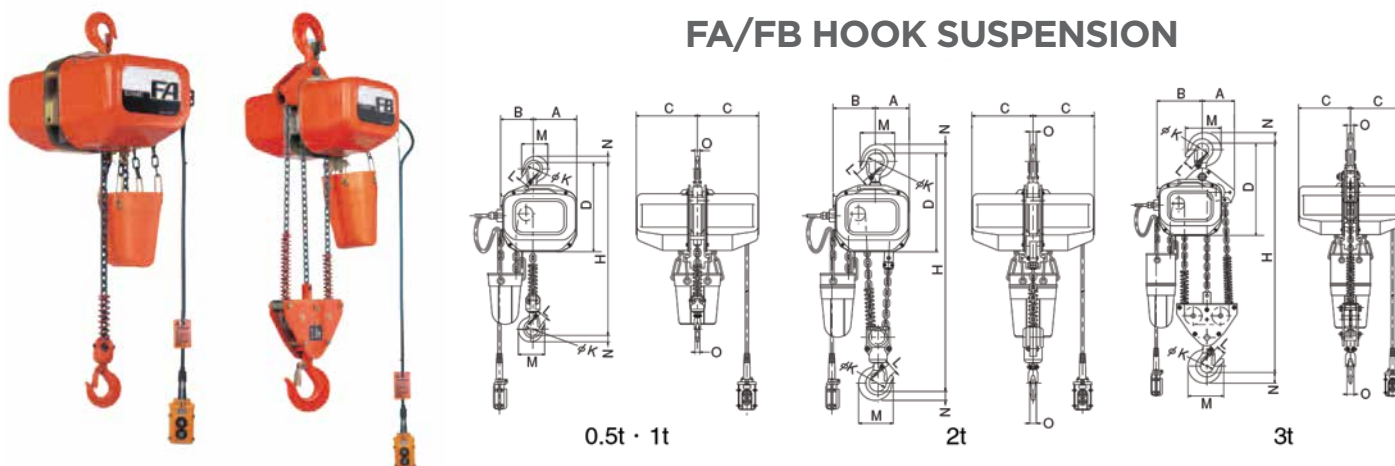
Bottom hook with bearing smoothly swivels, 360°. In the event of an overload, the hook gradually elongates. This elongation serves as an indicator to the end user, making them aware of the overload.

**6 Chain Bucket** Hard plastic

**7 Limit switch** Standard feature

**8 Ratings** JIS/ISO M4, FEM 1AM, ASME H3 Motor, IP54 Hoist Protection, IP65 NEMA 4X Pendant Protection

## FA/FB HOOK SUSPENSION



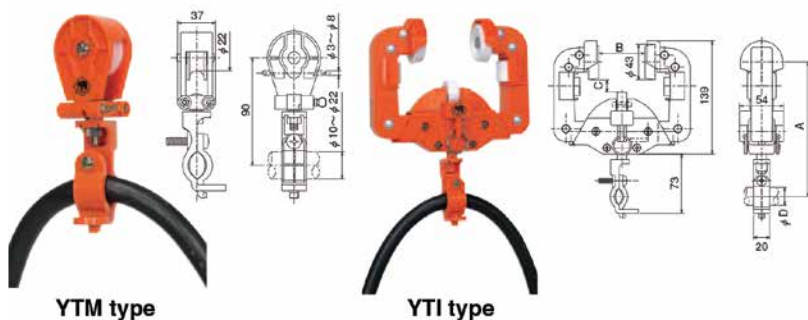
### SPECIFICATIONS - FA/FB TYPE HOOK SUSPENSION

Model	W.L.L. (lbs)	W.L.L. (mt)	Test Load (mt)	Standard Lift (ft)	Standard Push Button Cord Length (ft)	Load Chain Dia. X Number of Falls	Lifting Motor Output (H.P.), (FB) High: Low Speed	Lifting Spd. (ft/min) (FB) High:Low speed		Min. Distance H (in)	Net Weight (lbs)
								50Hz	60Hz		
FA-0.5	1100	0.5	0.625	10	8	6.3 x 1	1.22	23	27.5	21.85	95
FA-1	2200	1	1.25	10	8	7.1 x 1	2.18	20	24.5	23.23	123
FA-2	4400	2	2.5	10	8	7.1 x 2	2.18	10	12.5	29.33	141
FA-3	6600	3	3.75	10	8	7.1 x 3	2.18	7	8	33.07	183
FA-5	11000	5	6.25	10	8	7.1 x 5	2.18	4.1	4.8	38.2	246
FB-0.5	1100	0.5	0.625	10	8	6.3 x 1	1.22 : 0.34	23 / 6	27.5 / 7	21.85	97
FB-1	2200	1	1.25	10	8	7.1 x 1	2.18 : 0.54	21 / 5	24.6 / 6	23.23	126
FB-2	4400	2	2.5	10	8	7.1 x 2	2.18 : 0.54	10 / 1.6	12.5 / 3	29.33	143
FB-3	6600	3	3.75	10	8	7.1 x 3	2.18 : 0.54	7 / 1.6	8 / 2	33.07	185
FB-5	11000	5	6.25	10	8	7.1 x 5	2.18 : 0.54	4.1	4.8/1.2	38.2	246

### DIMENSIONS (IN.) - FA/FB TYPE HOOK SUSPENSION

W.L.L (lbs)	W.L.L. (mt)	A	B	C	D	K	L	M	N	O
1100	0.5	6.34	4.88	8.82	12.46	1.69	1.04	3.31	0.75	0.55
2200	1	6.69	5.04	9.41	13.74	1.97	1.22	4.09	0.98	0.75
4400	2	5.24	6.5	9.41	15.22	2.56	1.5	5.33	1.38	1.02
6600	3	5.83	8.19	9.41	16.81	2.36	1.69	6.5	1.93	1.26
11000	5	7.2	10.74	9.4	19.2	2.76	1.85	6.7	2.08	1.38

## CABLE HANGER

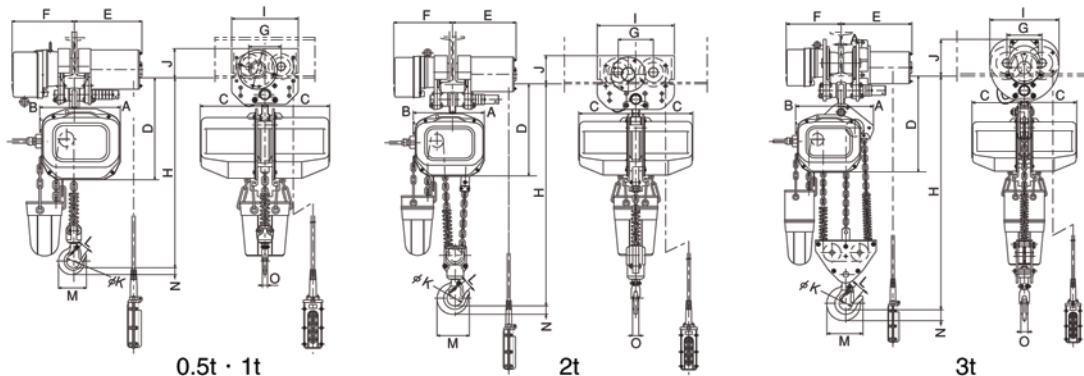


### DIMENSIONS (IN.) - CABLE HANGER

Model	I-Beam Width	A	B	C	D (Cable Dia.)
YTI-100	2.95	6.54	1.26	0.59	0.39 - 0.87
	3.94	6.54	2.24	0.59	0.39 - 0.87
YTI-150	4.92	6.54	3.23	0.98	0.39 - 0.87
	5.91	6.54	4.21	0.98	0.39 - 0.87



### FAMB/FBMB 1 SPEED & 2 SPEED HOIST, WITH 1 SPEED MOTORIZED TROLLEY



#### SPECIFICATIONS - FAM/FBM 1 SPEED & 2 SPEED HOIST, 1 SPEED & 2 SPEED MOTORIZED TROLLEY

Model	W.L.L. (lbs)	W.L.L. (mt)	Standard Lift (ft)	Lifting Speed (ft/min) (FB) High:Low Speed		Traversing Motor Output (H.P.)	Traversing Speed (ft/min)		Min. Distance H (in) Hook : Lug	Traversing I-beam Width	Trolley Min. Radius (in)	Net Weight (lbs)
				50Hz	60Hz		50Hz/60Hz	50Hz/60Hz				
FAM-0.5	1100	0.5	10	23	27.5	0.54	65 / 78 MAF type	32 / 39 MAS type	27.36 (23.62)	2.95-5.91	43.31	163
FAM-1	2200	1	10	20	24.5				28.74 (24.61)			
FAM-2	4400	2	10	10	12.5				35.83 (29.53)			
FAM-3	6600	3	10	7	8				40.16 (33.86)			
FAM-5	11000	5	10	*	4.8				38.8			
FBM-0.5	1100	0.5	10	23 / 6	27.5 / 7	0.54	65 / 78 MAF type	32 / 20 MAS type	27.36 (23.62)	2.95-5.91	43.31	165
FBM-1	2200	1	10	21 / 5	24.6 / 6				28.74 (24.61)			
FBM-2	4400	2	10	10 / 1.6	12.5 / 3				35.83 (29.53)			
FBM-3	6600	3	10	7 / 1.6	8 / 2				40.16 (33.86)			
FBM-5	11000	5	10	*	4.8 / 1.2				38.8			

#### DIMENSIONS (IN.) - FAM/FBM 1 SPEED & 2 SPEED HOIST, 1 SPEED & 2 SPEED MOTORIZED TROLLEY

W.L.L. (lbs)	W.L.L. (mt)	A	B	C	*D	*E	*F	G	I	*J	K	L	M	N	O	P (dia. of wheel)
1100	0.5	6.34	4.88	8.82	17.97	9.88 (10.94)	8.6	4.72	9.69	4.49	1.69	1.04	3.31	0.75	0.55	2.68
2200	1	6.69	5.04	9.41	19.25	9.88 (10.94)	8.6	4.72	9.69	4.49	1.97	1.22	4.06	0.98	0.75	2.68
4400	2	5.24	6.5	9.41	21.65	10.51 (11.57)	9.72	5.83	12.76	5.39	2.56	1.5	5.33	1.38	1.02	3.29
6600	3	5.83	8.19	9.41	22.91	12.76 (15.75)	9.92	6.3	12.44	7.13	2.36	1.69	6.5	1.93	1.26	3.86
11000	5	7.2	10.74	9.4	19.9	16.5	10.62	6.7	13.2	6.77	2.76	1.77	6.7	2.08	1.38	3.9

### FAMB/FBMB 1 SPEED & 2 SPEED HOIST, WITH 2 SPEED MOTORIZED TROLLEY

#### SPECIFICATIONS - FAMB/FBMB 1 SPEED & 2 SPEED HOIST, 2 SPEED MOTORIZED TROLLEY

Model	W.L.L. (lbs)	W.L.L. (mt)	Standard Lift (ft)	Lifting Speed (ft/min) (FB) High:Low Speed		Traversing Motor Output (H.P.)	Traversing Speed (ft/min)		Min. Distance H (in) Hook : Lug	Traversing I-beam Width	Trolley Min. Radius (in)	Net Weight (lbs)
				50Hz	60Hz		50Hz	60Hz				
FAMB-0.5	1100	0.5	10	23	27.5	0.54	[16] [65] MB type	[19] [78] MB type	27.36 (23.62)	2.95-5.91	43.31	163
FAMB-1	2200	1	10	20	24.5				28.74 (24.61)			
FAMB-2	4400	2	10	10	12.5				35.83 (29.53)			
FAMB-3	6600	3	10	7	8				40.16 (33.86)			
FAMB-5	11000	5	10	*	4.8				38.8			
FBMB-0.5	1100	0.5	10	23 / 6	27.5 / 7	1.54	[16] [65] MB type	[19] [78] MB type	27.36 (23.62)	2.95-5.91	43.31	165
FBMB-1	2200	1	10	21 / 5	24.6 / 6				28.74 (24.61)			
FBMB-2	4400	2	10	10 / 1.6	12.5 / 3				35.83 (29.53)			
FBMB-3	6600	3	10	7 / 1.6	8 / 2				40.16 (33.86)			
FBMB-5	11000	5	10	*	4.8 / 1.2				38.8			

#### DIMENSIONS (IN.) - FAMB/FBMB 1 SPEED & 2 SPEED HOIST, 2 SPEED MOTORIZED TROLLEY

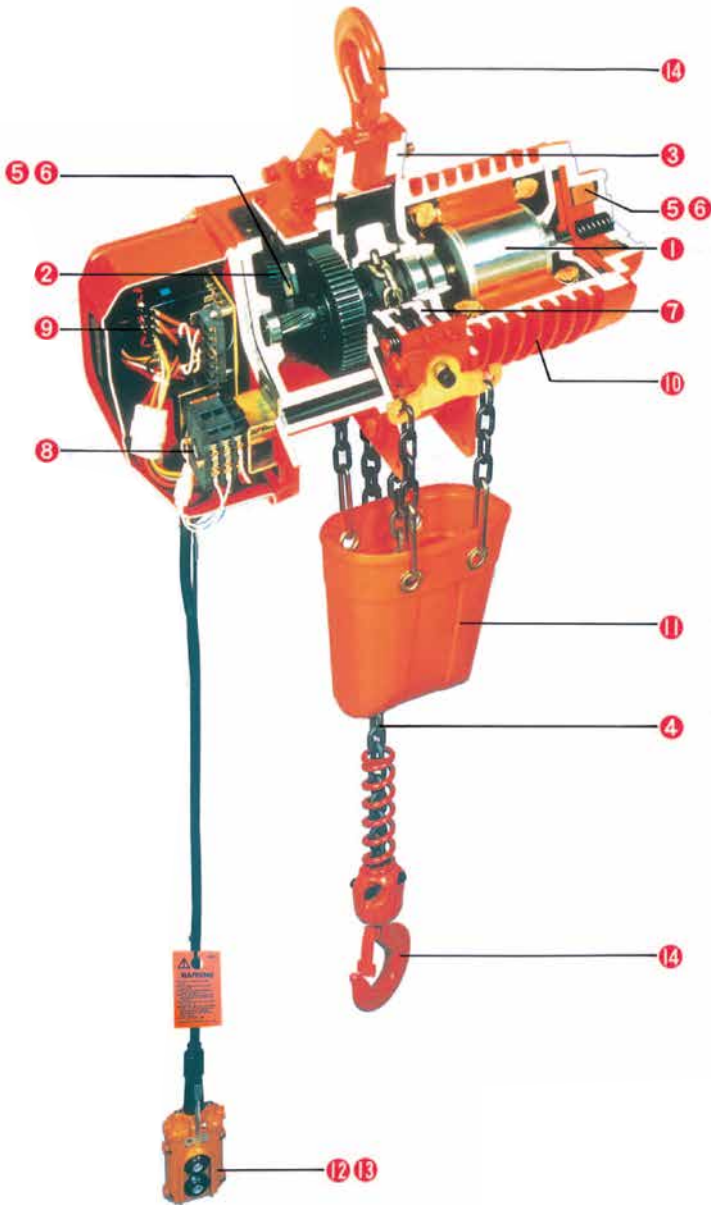
W.L.L. (lbs)	W.L.L. (mt)	A	B	C	*D	*E	*F	G	I	*J	K	L	M	N	O	P (dia. of wheel)
1100	0.5	6.34	4.88	8.82	17.97	9.88 (10.94)	8.6	4.72	9.69	4.49	1.69	1.04	3.31	0.75	0.55	2.68
2200	1	6.69	5.04	9.41	19.25	9.88 (10.94)	8.6	4.72	9.69	4.49	1.97	1.22	4.06	0.98	0.75	2.68
4400	2	5.24	6.5	9.41	21.65	10.51 (11.57)	9.72	5.83	12.76	5.39	2.56	1.5	5.33	1.38	1.02	3.29
6600	3	5.83	8.19	9.41	22.91	12.76 (15.75)	9.92	6.3	12.44	7.13	2.36	1.69	6.5	1.93	1.26	3.86
11000	5	7.2	10.74	9.4	19.9	16.5	10.62	6.7	13.2	6.77	2.76	1.77	6.7	2.08	1.38	3.9

\* Contact the Factory for Additional Information





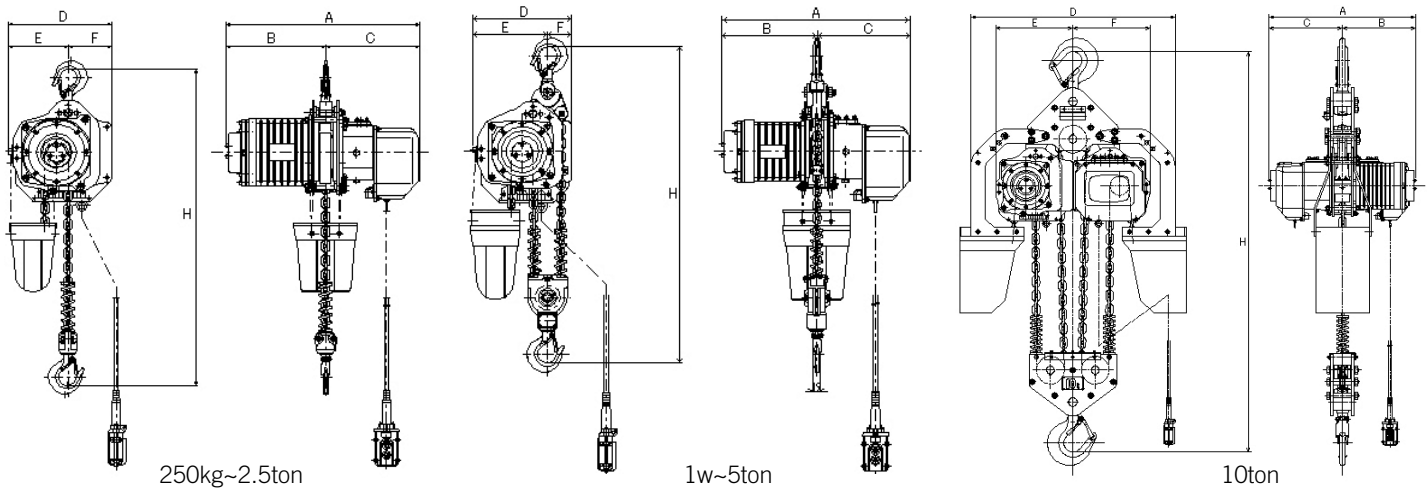
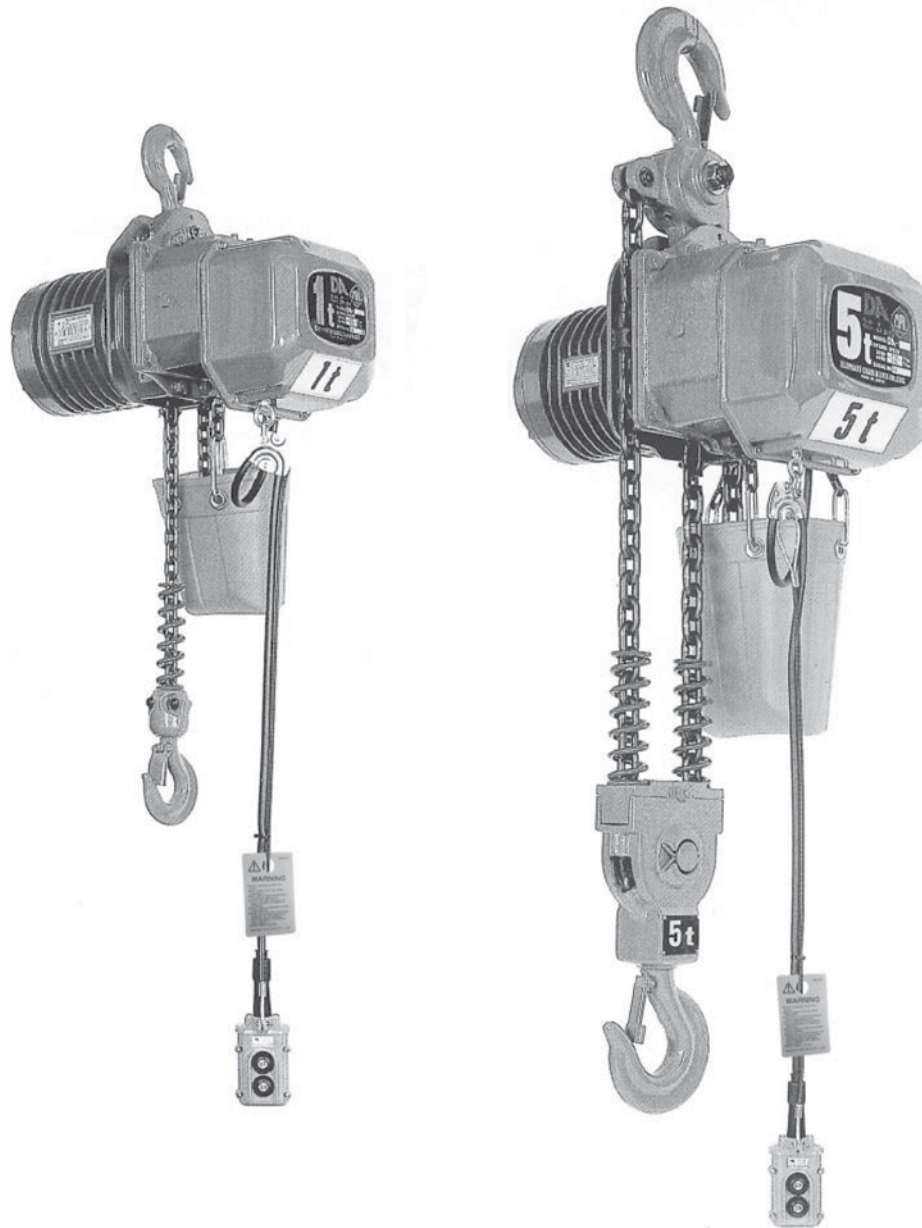
**ELECTRIC CHAIN  
HOIST DA TYPE  
1 SPEED, 3 PHASE  
SINGLE VOLTAGE  
&  
DB TYPE 2 SPEED,  
3 PHASE SINGLE  
VOLTAGE**



## Features of the DA/DB Electric Chain Hoist

- ① An efficient motor that offers high lift speeds**  
The DA/DB series hoist features a newly developed motor for severe conditions, which allows it to operate continuously for long periods of time with frequent starts within an hour cycle. These lifting speeds were engineered to be as fast as possible to ensure efficiency.
- ② Quiet operation with a sealed protective body against dust**  
Durable helical gears & an oil bath style gear case make these units quiet during operation.
- ③ Solid steel side plates for a rugged heavy duty construction**
- ④ Highly durable load chain**  
Our surface hardened load chain is manufactured within our factory in Osaka, Japan and is in compliance with ISO standard grade T, offering a satisfactory degree of breaking strength, wear resistance, and impact absorption. We can also offer load chain of a higher corrosion resistance upon request.
- ⑤ Safe DOUBLE BRAKE design**  
A mechanical brake and motor brake – the electric-magnetic brake is combined with a mechanical brake to constitute a complete double brake system. Even the former alone has enough capacity to hold a static safe working load!
- ⑥ DC brake and motor with low power consumption**  
A DC solenoid is used for the electro-magnetic brake. This lowers the electrical consumption throughout the operation of the electric chain hoist.
- ⑦ A safer chain guide with our unique design**  
The DA/DB series is designed so that the chain guide's rotation on the load sheave transmits to the electrical limit switch. The electric limit switch automatically stops the operation of the hoist in the event that the load chain is raised or lowered to the chain's end. In this case, the limit switch would also engage if dust or foreign matters remain pressed within the pockets of the load sheave.
- ⑧ Reliable double-action limit switch**  
Electrical limit switch for this model acts in two steps. In the first step the limit switch breaks the operating circuit. Then within the second step, the limit switch breaks the main circuit. Ensuring the hoist ceases operation.
- ⑨ Negative phase contactor and a highly efficient magnetic contact with a mechanical & electrical interlock**
- ⑩ Motor frame**  
The motor frame is constructed with high quality aluminum cooling fins which help reduce the rise of temperature within the motor
- ⑪ Durable chain container**
- ⑫ Pendant control switch is set at 24v for safe operation**
- ⑬ Push-push button style pendant for the DB models**
- ⑭ Top and bottom hooks with safety latch**  
Designed to gradually open and not break suddenly in the event of an overload. A compact thrust bearing also helps to prevent the load chain from twisting.
- ⑮ Ratings**  
JIS / ISO M5, FEM 2M, ASME H3 Motor, IP54 Hoist Protection, IP65 NEMA 4X Pendant Protection





**SPECIFICATIONS - DA/DB HEAVY DUTY ELECTRIC CHAIN HOIST**

Model	W.L.L. (lbs)	W.L.L. (mt)	Test Load (mt)	Standard Lift (ft)	Load Chain Dia (mm) x Number of Falls	Lifting Motor Output (H.P.) (DB) High: Low Speed	Lifting Speed (ft/min) (DB) High:Low Speed		Minimum Distance H (in)	Ampere (A)	Net Wt. (lbs) 10' : 20'
							50Hz	60Hz			
DA-0.25	550	0.25	0.313	10 20	5.6 x 1	0.68	26	31	20.4	2.5	112 : 116
DA-0.5	1100	0.5	0.625	10 20	6.3 x 1	1.22	24	28	20.8	4.5	123 : 130
DA-1W	2200	1	1.25	10 20	6.3 x 2	1.22-0.41	12	14	27.7	4.5	139 : 152
DA-1S	2200	1	1.25	10 20	7.1 x 1	2.31	22	27	23	8.7	158 : 168
DA-1.5	3500	1.5	1.88	10 20	9.5 x 1	4.62	29	34	28.7	15.3	265 : 280
DA-2W	4400	2	2.5	10 20	7.1 x 2	2.31	11	13	31	8.7	185 : 201
DA-2S	4400	2	2.5	10 20	11.2 x 1	4.62	23	27	28.7	15.3	273 : 293
DA-2.5	5500	2.5	3.13	10	11.2 x 1	4.62	18	21	28.7	15.3	282
DA-3	6600	3	3.75	10	9.5 x 2	4.62	14	17	37	15.3	320
DA-5	11000	5	6.25	10	11.2 x 2	4.62	9	11	40.5	15.3	359
DA-10	22000	10	12.5	10	11.2 x 4	4.62 x 2	9	10	54.7	15.3	873
DB-0.25	550	0.25	0.313	10 20	5.6 x 1	0.68 : 0.23	26 : 9	31 : 10	20.4	2.6	123 : 130
DB-0.5	1100	0.5	0.625	10 20	6.3 x 1	1.22 : 0.41	24 : 8	28 : 9	20.8	4.7	137 : 146
DB-1W	2200	1	1.25	10 20	6.3 x 2	1.22 : 0.41	12 : 4	14 : 5	27.7	4.7	152 : 168
DB-1S	2200	1	1.25	10 20	7.1 x 1	2.31 : 0.77	22 : 7	27 : 9	23	9.2	174 : 185
DB-1.5	3500	1.5	1.88	10 20	9.5 x 1	4.62 : 1.55	29 : 10	34 : 11	28.7	16	300 : 317
DB-2W	4400	2	2.5	10 20	7.1 x 2	2.31 : 0.77	11 : 4	13 : 4	31	9.2	203 : 220
DB-2S	4400	2	2.5	10 20	11.2 x 1	4.62 : 1.55	23 : 8	27 : 9	28.7	16	311 : 331
DB-2.5	5500	2.5	3.13	10	11.2 x 1	4.62 : 1.55	18 : 6	21 : 7	28.7	16	317
DB-3	6600	3	3.75	10	9.5 x 2	4.62 : 1.55	14 : 5	17 : 6	37	16	357
DB-5	11000	5	6.25	10	11.2 x 2	4.62 : 1.55	9 : 3	11 : 3	40.5	16	394

\* Current Ampere Depends on the Voltage and Length of Power Cord

\* The Length of Power Cord 4Core Cable is 16'

\* Standard Push Button Cord is 2' Less than Lift

\* If You Require 6 Button Pendant Control in Place of 4 Button, a "C" Should be Added to the End of the Model Name

**DIMENSIONS (IN.) - DA/DB HEAVY DUTY ELECTRIC CHAIN HOIST**

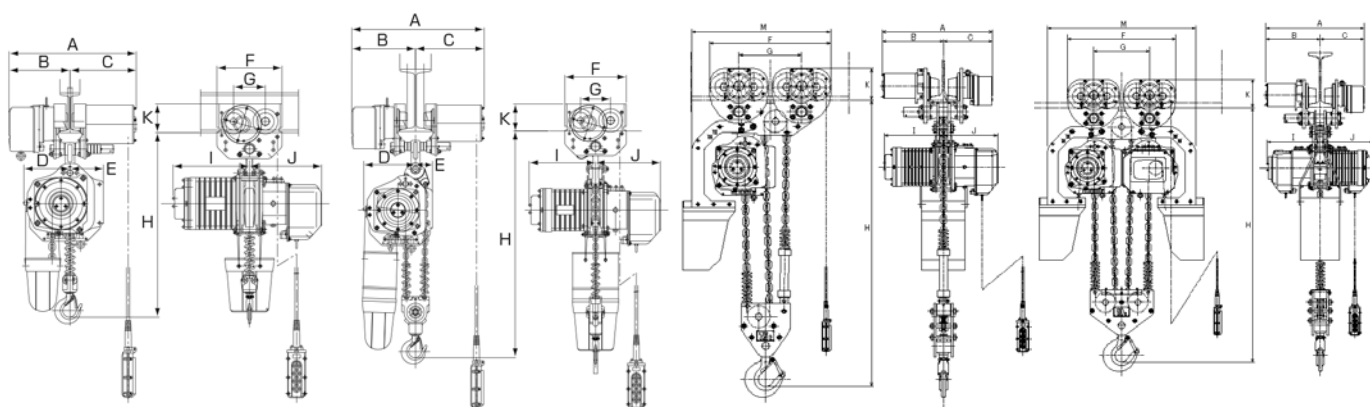
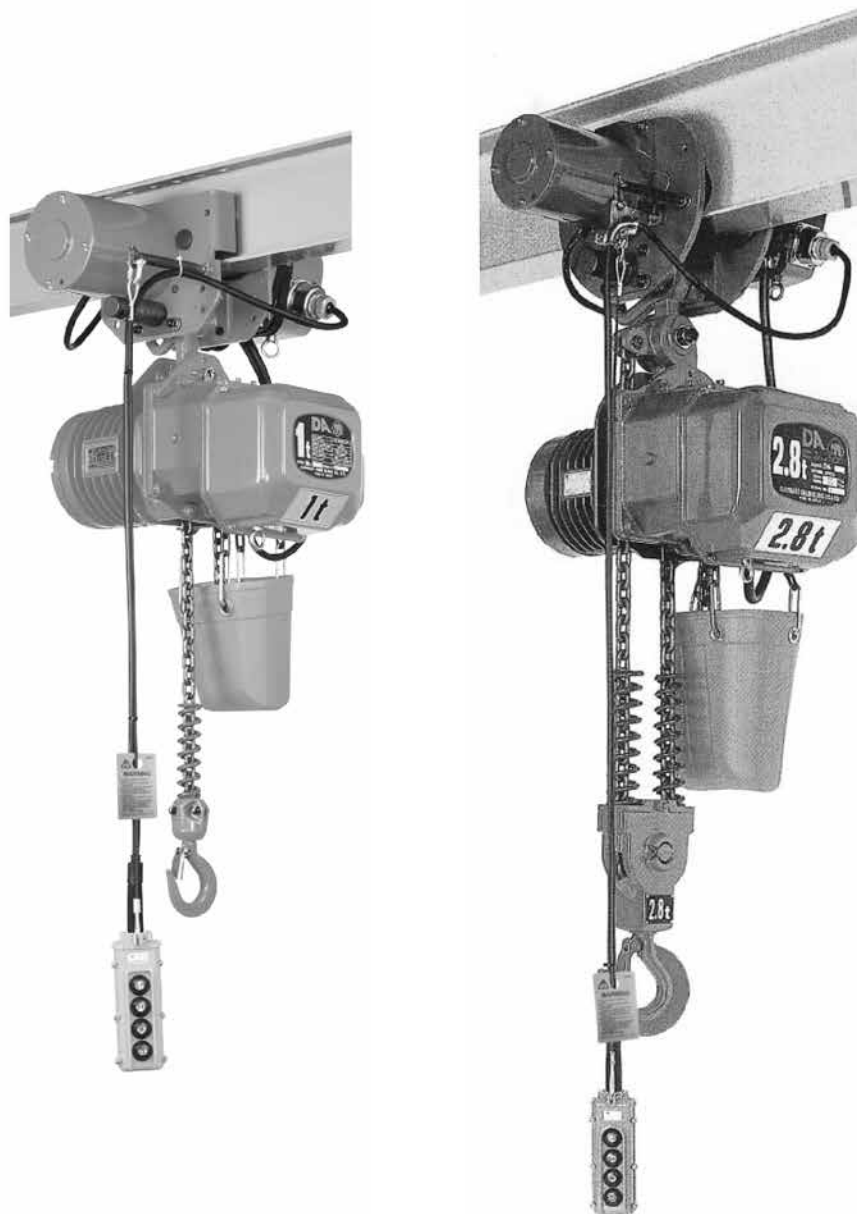
Model	A	B	C	D	E	F
DA / DB-0.25	20.7 / 22.1	10.5 / 10.8	10.2 / 11.3	10.8	6.6	4.2
DA / DB-0.5	20.7 / 23.2	10.5 / 11.9	10.2 / 11.3	10.8	6.6	4.2
DA / DB-1W	20.7 / 23.2	10.5 / 11.9	10.2 / 11.3	10.8	8.1	2.6
DA / DB-1S	22.2 / 24.3	11.4 / 12.6	10.7 / 11.7	11.8	6.8	5
DA / DB-1.5	25.7 / 28.2	13.4 / 14.6	12.3 / 13.5	14.6	7.8	6.8
DA / DB-2W	22.2 / 24.3	11.4 / 12.6	10.7 / 11.7	11.8	8.6	3.2
DA / DB-2S	25.7 / 28.2	13.4 / 14.6	12.3 / 13.5	14.6	7.8	6.8
DA / DB-2.5	25.7 / 28.2	13.4 / 14.6	12.3 / 13.5	14.6	7.8	6.8
DA / DB-3	25.7 / 28.2	13.4 / 14.6	12.3 / 13.5	14.6	10.1	4.4
DA / DB-5	25.7 / 28.2	13.4 / 14.6	12.3 / 13.5	14.7	10.7	4.02
DA-10	26.9	13.4	13.4	37.8	10.7	*

\* The Dimensions D and E Depends on the Lift

\* For Top and Bottom Hook Specifications See Page 47

\* Specifications and Dimensions are Subject to Change Without Notice





250kg~2.5ton

The drawing of electric trolley 2.5t is different from above drawing.

1w~5ton

The drawing of electric trolley 3t, 5t is different from above drawing.

7.5ton

10ton



**SPECIFICATIONS - DAM/DBM HEAVY DUTY ELECTRIC CHAIN HOIST**

Model	W.L.L. (lbs)	W.L.L. (mt)	Test Load (mt)	Standard Lift (ft)	Lifting Motor Output (H.P.) (DB) High:Low Speed	Traversing Motorized Trolley Motor Output (H.P.)	Lifting Speed (ft/min) (DB) High:Low Speed		Traversing Speed (ft/min)		Minimum Distance H (in)	Traversing Motorized Trolley Beam Range (in)	Trolley Min. Radius (in)	Net Wt. (lbs)	
							50Hz	60Hz	High Speed 50 Hz / 60 Hz	Low Speed 50 Hz / 60 Hz					
DAM-0.25	550	0.25	0.313	10 20	0.68	0.54	26	31	65 / 78	33 / 39	2.95 - 5.91	43.3 [31.4]	161		
DAM-0.5	1100	0.5	0.625	10 20	1.22		24	28					22.4	22.8	223
DAM-1W	2200	1	1.25	10 20	1.22		12	14					29.1	30.7	434
DAM-1S	2200	1	1.25	10 20	2.31		22	27					24.4	31.2	273
DAM-1.5	3500	1.5	1.88	10 20	4.62		29	34			28.9	29.5	434		
DAM-2W	4400	2	2.5	10 20	2.31		11	13			37.8	41.3	423		
DAM-2S	4400	2	2.5	10 20	4.62		23	27			47.4	46.6	461		
DAM-2.5	5500	2.5	3.13	10	4.62		18	21			59 [39.4]	59 [39.4]	542		
DAM-3	6600	3	3.75	10	4.62		14	17			5.00 - 7.00	*	1058		
DAM-5	11000	5	6.25	10	4.62		9	11			*	*	1365		
DAM-7.5	16500	7.5	9.38	10	4.62	1.02 x 2	6	7							
DAM-10	22000	10	12.5	10	4.62 x 2		9	10							
DBM-0.25	550	0.25	0.313	10 20	0.68 : 0.23	0.54	26 : 9	31 : 10	65 / 78	33 / 39	2.95 - 4.92	43.3 [39.4]	192		
DBM-0.5	1100	0.5	0.625	10 20	1.22 : 0.41		24 : 8	28 : 9					22.4	22.8	201
DBM-1W	2200	1	1.25	10 20	1.22 : 0.41		12 : 4	14 : 5					29.1	24.4	245
DBM-1S	2200	1	1.25	10 20	2.31 : 0.77		22 : 7	27 : 9					30.7	31.2	267
DBM-1.5	3500	1.5	1.88	10 20	4.62 : 1.55		29 : 10	34 : 11			28.9	29.5	470		
DBM-2W	4400	2	2.5	10 20	2.31 : 0.77		11 : 4	13 : 4			37.8	41.3	317		
DBM-2S	4400	2	2.5	10 20	4.62 : 1.55		23 : 8	27 : 9			47.4	46.6	478		
DBM-2.5	5500	2.5	3.13	10	4.62 : 1.55		18 : 6	21 : 7			59 [39.4]	59 [39.4]	461		
DBM-3	6600	3	3.75	10	4.62 : 1.55		14 : 5	17 : 6			4.92 - 6.89	78.7 [39.4]	498		
DBM-5	11000	5	6.25	10	4.62 : 1.55		9 : 3	11 : 3					580		

\* If You Require 6 Button Pendant Control in Place of 4 Button, a "C" Should be Added to the End of the Model Name

\* The Length of Power Cord 4Core Cable is 16'

\* Standard Push Button Cord is 2' Less than Lift

\* Contact the Factory for Special Beam Widths for Motorized Trolley

\* Special Motorized Trolleys Can be Supplied where the Trolley Minimum Radius is the Number Bracketed Off

**DIMENSIONS (IN.) - DAM/DBM HEAVY DUTY ELECTRIC CHAIN HOIST**

MODEL	A	B	C	γ	D	E	F	G	I	J	K	M
DAM / DMB-0.25	19.0+2β	9.8+β	9.0+β	2.9	6.6	4.3	9.5	4.7	10.5 / 10.9	10.3 / 11.3	4.3	-
DAM / DMB-0.5	19.0+2β	9.8+β	9.0+β	2.9	6.6	4.3	9.5	4.7	10.5 / 11.0	10.3 / 11.3	4.3	-
DAM / DMB-1W	19.0+2β	9.8+β	9.0+β	2.9	8.1	2.7	9.5	4.7	10.5 / 11.0	10.3 / 11.3	4.3	-
DAM / DMB-1S	19.0+2β	9.8+β	9.0+β	2.9	6.8	5	9.5	4.7	11.4 / 12.5	10.8 / 11.7	4.3	-
DAM / DMB-1.5	20.0+2β	10.5+β	9.7+β	3.9	7.8	6.9	11.3	5.8	13.5 / 14.6	12.3 / 13.6	4.8	-
DAM / DMB-2W	20.0+2β	10.5+β	9.7+β	3.9	8.6	3.2	11.3	5.8	11.4 / 12.5	10.8 / 11.7	4.8	-
DAM / DMB-2S	20.0+2β	10.5+β	9.7+β	3.9	7.7	6.9	11.3	5.8	13.5 / 14.6	12.3 / 13.6	4.8	-
DAM / DMB-2.5	22.5+2β	12.7+β	9.8+β	3.9	7.7	6.9	12.4	6.3	13.5 / 14.6	12.3 / 13.6	6.6	-
DAM / DMB-3	22.5+2β	12.7+β	9.8+β	3.9	10.2	4.5	12.4	6.3	13.5 / 14.6	12.3 / 13.6	6.6	-
DAM / DMB-5	24+2β	13.4+β	13.4+β	4.9	10.7	4	13.2	6.7	13.5 / 14.6	12.3 / 13.6	6.8	-
DAM-7.5 & DAM-10	24+2β	13.4+β	13.4+β	4.9	-	-	27.4	14.2	13.5 / 14.6	12.3 / 13.5	6.8	31.4 & 37.8

\* The Dimensions D and E Depend on the Lift

\* For the Dimensions β and γ, see page 40

\* The Dimension K is in case that "Traversing I Beam Width" is Minimum







## NOTES ON THE WIRING DIAGRAM

1. Our electric chain blocks(with the trolleys included), either DA type or DB type, are usually designed to operate on the 3-phase power source.  
The electrical parts used for our chain blocks are all the precision ones which can normally operate even with an accidental voltage drop (with a 10% reduction of the rated voltage)

2. As standard, our lifting motor (LM) and trolley motor (TM) are respectively assured of the following ratings.

	Kind of Insulation	Short time duty	Intermittent duty
LM	E	30 minutes	40% ED, Number of starts : 240/h
TM	E	15 minutes	25% ED, Number of starts : 240/h

In the case of the DB type, however, its rating will be like:

Short time duty		Intermittent duty	
High speed	Low speed	High speed	Low speed
30 minutes	15 minutes	40% ED, Number of starts : 240/h	20% ED, Number of starts : 120/h

3. As to the 4-core power cord, or the 7-core cable cord used for the DAGC, DBGC, DAPC or DBPC type, they are each usually of 5m in length. The cords of other length than the above, or of special dimensions, are available upon request.

4. When connecting the power cord to the power source, take care of its correct phase so that the lifting motor can rotate in UP direction and DN direction according to the push of the UP button and DN button on the control switch. If the connection phase is reversed, the negative phase protector starts to work to prevent the lifting motor from rotating in either direction. If this occurs, exchange the connection phase of the black and red leads from each other: at the time, avoid changing the wire connections in the control switch, chain block and trolley.

5. The running direction of the electric trolley and/or the saddle has been decided at the shipment, and it may be changed, at your site, by changing the wire connection at the control switch case.

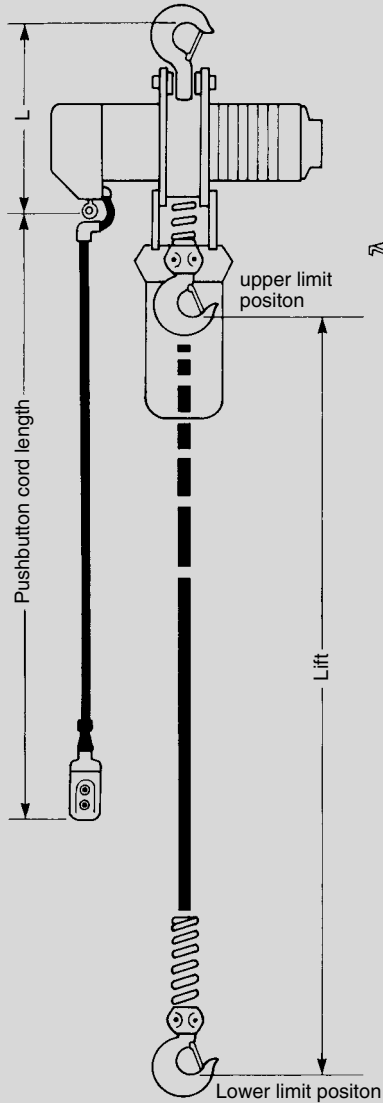
## HOIST CLASSIFICATION

	JIS/ISO classification	FEM classification	ASME classification	International protection
DA	M5	2m	H3	IP54
DB	M5	2m	H3	IP54

## DEFINITION OF WORDS

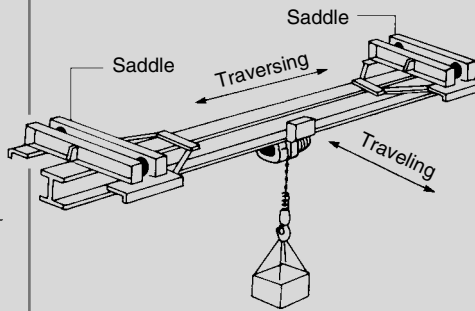
### Lift and Length of Pushbutton Switch Cord

As the electric chain block is operated, its bottom hook moves up and down and the longest distance of this motion is called a "lift". In other words, the lift refers to the distance between the bottom hook's highest position (with the upper limit switch actuated) and its lowest position (with the lower limit switch actuated).  
 The length of the pushbutton switch cord refers to the distance between the bottom of dimension L and the lower surface of the pushbutton switch case.



### Traversing, Traveling with Trolley and Saddle.

The electric chain block, while hoisting any of loads, may be moved in lateral or longitudinal direction when used in combination with a trolley or saddles which is fitted on a rail. Usually, the trolley is used for a lateral motion of the electric chain block and saddles for a longitudinal motion of it. And when the chain block moves laterally, we call it as "traversing" and when it moves longitudinally, we call it "traveling". Depending on your job requirements, the ELEPHANT electric chain blocks may be combined with different types of saddles of our own; refer to our catalog "ELEPHANT Electric Saddles".

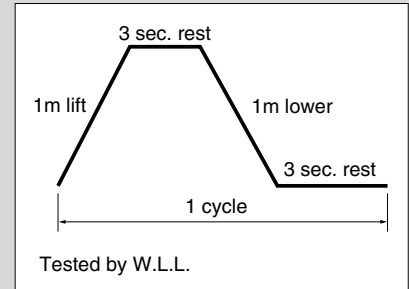


### Short Time Duty Rating and Intermittent Duty Rating

As a criterion to indicate the strength and durability of our electric chain blocks. We have specified the ratings of the short time duty and intermittent duty concerning their included electric motors—see the page 12 of catalogs.

#### • Short Time Duty Rating

"Short time duty rating" means the limited time that the admissible temperature limit of its electric motor won't be exceeded, when the electric chain block is operated continuously on the below cycle.

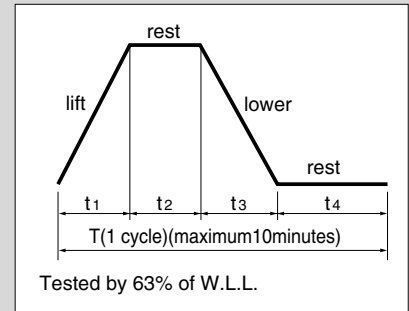


#### • Intermittent Duty Rating

Compared with "short time duty rating", the temperature of motor rises gradually by properly giving rests to the chain block between its operating periods (lifting and lowering). The percentage duty cycle ED is found as follows.

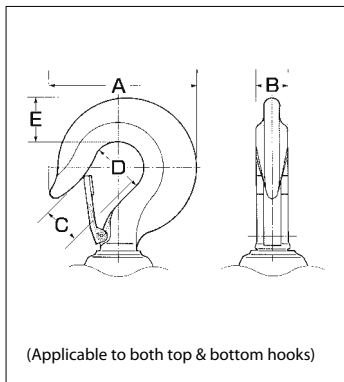
$$\%ED = \frac{\text{Operating periods}(t_1+t_3)}{\text{Operating} + \text{Rest periods}(T)} \times 100$$

based on the maximum cycle period of 10 minutes. The number of starts/h also affects the rise of temperature. Thus these two factors are specified to show the intermittent duty rating of the electric chain block under the specification of which the electric motor can be operated safely without exceeding its admissible temperature limit.



\* The specification and dimensions may be changed without prior notice for improvement.

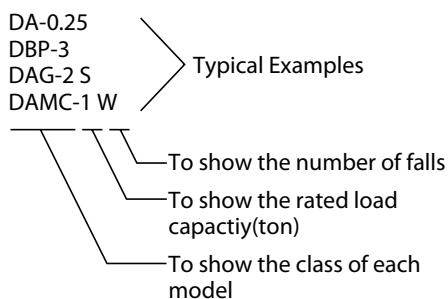
HOOK DIMENSIONS • BOTTOM HOOK WEIGHT • LOAD CHAIN WEIGHT



Max working load (mt) & number of falls	0.25	0.49	0.5	1S	1W	1.5	2S	2W	2.5	2S	2W	7.5	10
DIMENSION (in)	A	2.9	3.3	4.05		5.3	5.3	5.3	6.49	7.2	9.0	9.0	
	B	.59	.55	.59		1.0	1.0	1.0	1.37	1.37	1.88	1.88	
	C	1.0	1.0	1.18		1.45	1.45	1.45	1.88	2.28	2.8	2.8	
	D	1.3	1.69	1.96		2.55	2.55	2.55	2.36	2.75	3.3	3.3	
	E	.7	.7	.98		1.37	1.37	1.37	1.9	2.08	2.48	2.48	
Bottom hook weight (lbs)		1.5	1.7	3.7	8	7.7	7.7	12	7.7	25	39	143	176
No. of fall load chain		1	1	1	2	1	1	2	1	2	2	3	4
Load chain weight (lbs)	Per 3.2'				1.89			2.4		4.3	5.86	5.86	5.86
	Per 3.2' lift	1.4	1.89	2.4	3.79	4.3	5.8	4.85	5.86	8.6	11.75	17.6	23.5

Hooks are produced through a hot forging process and so the dimensions may have some errors : ± 2% for 0.25 ~5t hook and ± 3% for the 7.5 and/or 10t hook.

Reading of Model/Code



Class code:

- It identifies the type (single speed or dual speed type), the number of buttons on the control switches and kinds of trolleys (electric, geared or plain). See the sketches at right.

Rated load capacity:

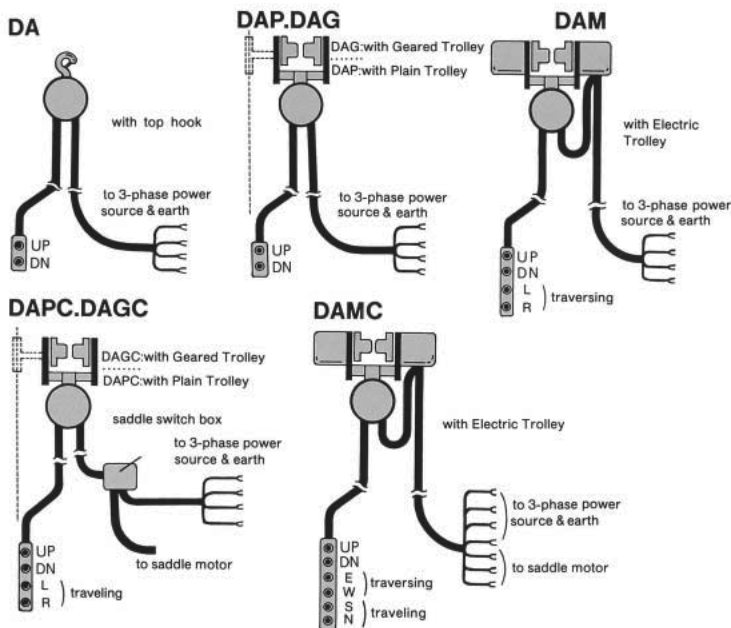
- It shows the rated load capacity(ton) of the relevant chain block.

Number of falls:

- It identifies whether the relevant chain block is the 1-fall type or the 2-fall type block(S=1, W=2).

Note: Indication of the number of falls is omitted for certain model in the case where it has been specified according to its rated load capacity.

Class Code

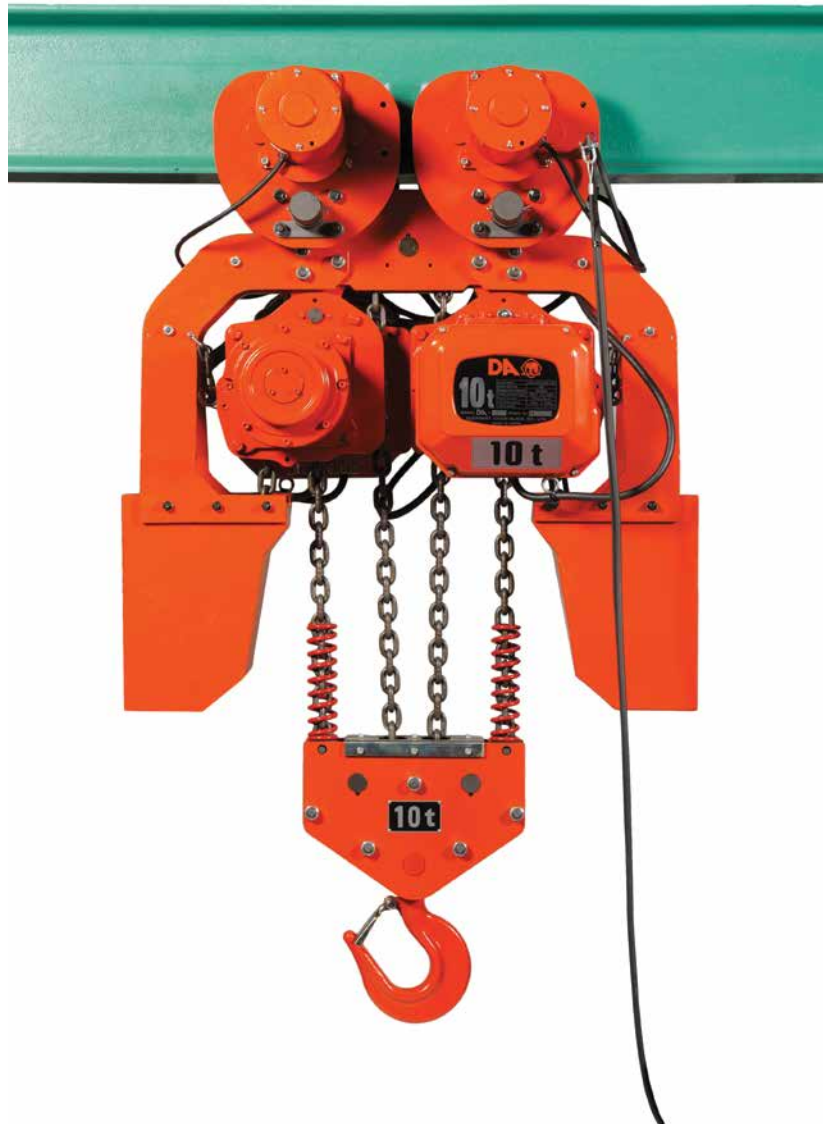


- Usually the pushbuttons located on the control switch are labeled as "UP", "DN", "L", "R", "E", "W", "S" and "N". The other types of labeling are available upon request.
- In the case of the dual speed type (DB type), the chain block can be wound UP and DOWN at either high speed or low speed. The UP and Down buttons are each of push-push type: at the first push, it provided low speed operation and at the second push, it provides high speed operation.

\* The specification and dimensions may be changed without prior notice for improvement.



# LARGE CAPACITY ELECTRIC CHAIN HOIST





**SPECIFICATIONS - LARGE CAPACITY ELECTRIC CHAIN HOIST**

Model	W.L.L. (mt)	Standard Lift (ft)	Lifting Speed (ft/min)		Lifting Motor Output (H.P.)	Trolley Min. Radius (in)	Load Chain (mm) x Number of Falls
			50 Hz	60 Hz			
DA-15	15	13	5.9	6.8	4.62 x 2	70.8	11.2 x 6
DA-20	20	13	4.2	5.2	4.62 x 2	81.4	11.2 x 8
DA-30	30	13	2.9	3.2	4.62 x 2	98.4	11.2 x 12
DA-50	50	13	1.6	1.9	4.62 x 2	114	11.2 x 22

**Electric Chain Hoist with Motorized Trolley**

Model	W.L.L. (mt)	Standard Lift (ft)	Traversing Speed (ft/min)		Traversing Motor Output (H.P.)	Trolley Min. Radius (in)	Load Chain (mm) x Number of Falls
			50 Hz	60 Hz			
DAM-15	15	13	32.8	39.3	2.04	-	11.2 x 6
DAM-20	20	13	32.8	39.3	2.04	-	11.2 x 8

\*Larger capacities available upon request

**Electric Chain Hoist with Geared Trolley**

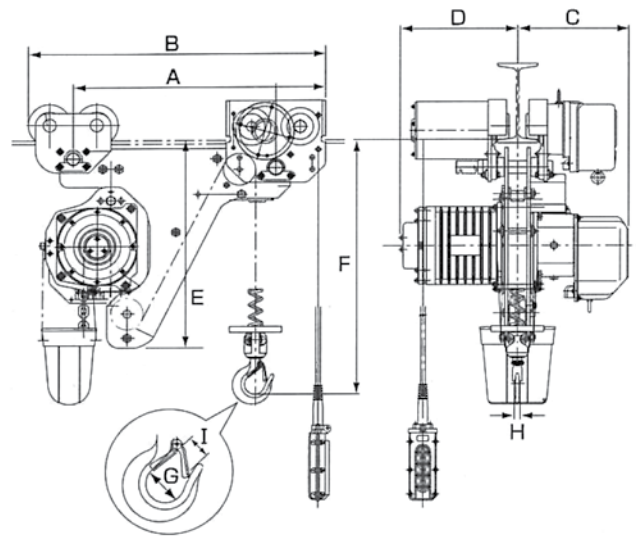
Model	W.L.L. (mt)	Standard Lift (ft)	Trolley Min. Radius (in)	Load Chain (mm) x Number of Falls
DAG-15	15	13	275.5	11.2 x 6
DAG-20	20	13	275.5	11.2 x 8

\*Larger capacities available upon request





# SDAM, SDBM SERIES LOW HEADROOM ELECTRIC CHAIN HOIST



**SPECIFICATIONS - SDAM SINGLE SPEED**

Model	Capacity metric ton	Test Load metric ton	Standard Lift (ft)	Dia. of Load Chain (mm) x Falls	Lifting Motor Output (H.P.)	Traversing Motor Output (H.P.)	Lifting Spd ft per min (60Hz)	Traversing Spd ft per min (60Hz)	Headroom (in)	I Beam Width (in)
SDAM-0.25	250kg	313kg	10	6.3x1	1.22	0.54	28	78.5	14.37	Manufactured to Specification
SDAM-0.5	0.5	625kg	10	6.3x1	1.22		18.5		14.37	
SDAM-1W	1	1.125	10	6.3x2	1.22		14		18.7	
SDAM-1S	1	1.125	10	7.1x1	1.5		18		16.53	
SDAM-1.5	1.5	1.88	10	9.5x1	4.62		21.5		18.89	
SDAM-2W	2	2.5	10	7.1x2	2.31		13		20.07	
SDAM-2S	2	2.5	10	11.2x1	4.62		21		20.47	
SDAM-2.5	2.5	3.13	10	11.2x1	3.4	1.02	14	22.04		
SDAM-3	3	3.75	10	9.5x2	4.62		17	25.19		
SDAM-5	5	6.25	10	11.2x2	4.62		10.5	28.74		
SDAM-7.5	7.5	9.375	Contact Factory							31.49
SDAM-10	10	12.5								31.49
SDAM-15	15	18.75								38.58
SDAM-20	20	25								41.73

**SPECIFICATIONS - SDBM DOUBLE SPEED**

Model	Capacity metric ton	Test Load metric ton	Standard Lift (ft)	Dia. of Load Chain (mm) x Falls	Lifting Motor Output (H.P.)	Traversing Motor Output (H.P.)	Lifting Spd ft per min (60Hz)	Traversing Spd ft per min (60Hz)	Headroom (in)	I Beam Width (in)
SDBM-0.25	250kg	313kg	10	6.3x1	1.22 : 0.41	0.54 : 0.14	28 : 9	78.5 : 39	14.37	Manufactured to Specification
SDMB-0.5	0.5	625kg	10	6.3x1	1.22 : 0.41		28 : 9		14.37	
SDBM-1W	1	1.125	10	6.3x2	1.22 : 0.41		14 : 4.5		18.7	
SDBM-1S	1	1.125	10	7.1x1	2.31 : 0.77		27 : 9		16.53	
SDBM-1.5	1.5	1.88	10	9.5x1	4.62 : 1.55		22 : 7.5		18.89	
SDBM-2W	2	2.5	10	7.1x2	2.31 : 0.77		13 : 4		20.07	
SDBM-2S	2	2.5	10	11.2x1	4.62 : 1.55		21 : 7		20.47	
SDBM-2.5	2.5	3.13	10	11.2x1	4.62 : 1.55	1.02 : 0.14	21 : 7	22.04		
SDBM-3	3	3.75	10	9.5x2	4.62 : 1.55		17 : 5.5	25.19		
SDBM-5	5	6.25	10	11.2x2	4.62 : 1.55		10.5 : 3	28.74		
SDBM-7.5	7.5	9.375	Contact Factory							31.49
SDBM-10	10	12.5								31.49
SDBM-15	15	18.75								38.58
SDBM-20	20	25								41.73

**DIMENSIONS (IN.) - SDAM/SDBM**

Model	A	B	C	D	E	F	G	H	I	Unit Weight (lbs) with 10' Lift
SDAM-0.25	18.50	27.72	10.28	10.51	19.02	14.37	1.69	0.55	1.02	243
SDAM-0.5	18.50	27.72	10.28	11.93	19.02	14.37	1.69	0.55	1.02	243
SDAM-1W	18.50	27.72	10.28	10.51	19.02	18.70	1.97	0.59	1.22	280
SDAM-1S	19.69	28.90	10.75	12.60	20.63	16.54	1.97	0.59	1.22	309
SDAM-1.5	24.02	35.51	12.28	13.43	24.13	18.90	2.56	1.02	1.50	562
SDAM-2W	20.08	31.57	10.75	11.42	21.18	20.08	2.56	1.02	1.50	375
SDAM-2S	24.80	36.30	12.28	13.43	25.00	20.47	2.56	1.02	1.50	584
SDAM-2.5	24.80	36.69	12.28	14.61	25.16	22.05	2.56	1.02	1.50	595
SDAM-3	24.02	35.91	12.28	13.43	24.29	25.20	2.36	1.26	1.73	617
SDAM-5	26.38	39.45	12.28	13.43	26.57	28.74	2.76	1.38	1.89	750
SDBM-0.25	18.50	27.72	11.30	11.93	19.02	14.37	1.69	0.55	1.02	278
SDMB-0.5	18.50	27.72	11.30	11.93	19.02	14.37	1.69	0.55	1.02	278
SDBM-1W	18.50	27.72	11.30	11.93	19.02	18.70	1.97	0.59	1.22	322
SDBM-1S	19.69	28.90	11.69	12.60	20.63	16.54	1.97	0.59	1.22	353
SDBM-1.5	24.02	35.51	13.54	14.61	24.13	18.90	2.56	1.02	1.50	609
SDBM-2W	20.08	35.51	11.69	12.60	21.18	20.08	2.56	1.02	1.50	419
SDBM-2S	24.80	36.30	13.54	14.61	25.00	20.47	2.56	1.02	1.50	628
SDBM-2.5	24.80	36.69	13.54	14.61	25.16	22.05	2.56	1.02	1.50	633
SDBM-3	24.02	35.91	13.54	14.61	24.29	25.20	2.36	1.26	1.73	655
SDBM-5	26.38	39.45	13.54	14.61	26.57	28.74	2.76	1.38	1.89	787





# ALPHA SERIES COMPACT ELECTRIC CHAIN HOIST 1-PHASE



## Features of the ALPHA Compact Electric Chain Hoist

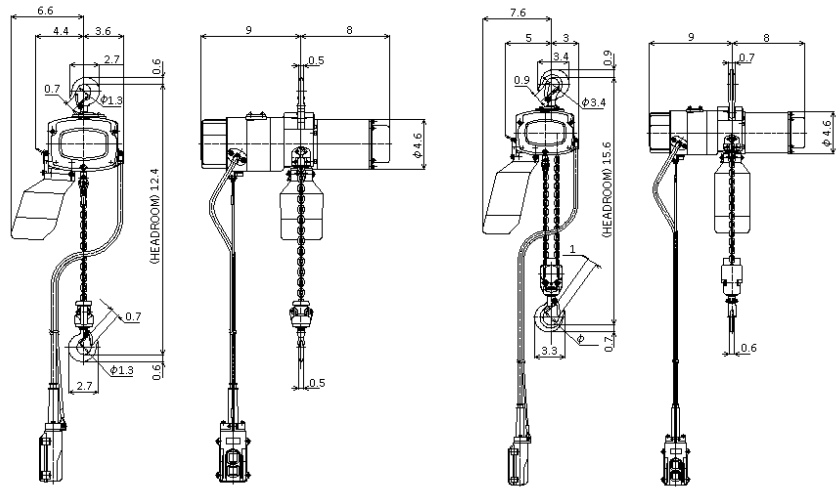
- ❶ The aluminum die cast body is designed for environments where noise levels must be kept to a minimum
- ❷ Compact design with low headroom, net weight of the hoists range from 32 lbs. with a standard 10' lift
- ❸ Alpha S series has a single brake design
- ❹ Overload and overwind safety device. This device ensures stability when the hoist is over wound, or over lowered. The device also protects against an overload of the unit, helping to prevent damage to the hoist and injury to personnel.
- ❺ A special surface treated load chain for corrosion resistance
- ❻ The load chain is extremely durable, adhering to the strict German DIN 5684 standard
- ❼ Upper and lower hooks with safety latches are designed to slowly stretch in the event of an over load, allowing for a visual indicator to the operator, to cease operation. The bottom hook has a thrust bearing to reduce stress on the lower block, while under load.
- ❽ The pendant control's contactor is designed for frequent use, guaranteeing excellent durability, even when 'inching' a load.
- ❾ Rating JIS/ISO M4, FEM 1AM, ASME H3 Motor, IP54 Hoist Protection, IP65 NEMA 4X Pendant Protection



**S SERIES**  
1-PHASE  
1-SPEED

**SB SERIES**  
1-PHASE  
DUAL SPEED

**SV SERIES**  
1-PHASE  
VARIABLE SPEED



Note: Length A changes according to the power source used.

Motor Output	A (inches)
Single Phase 300 watts	7
Single Phase 600 watts	9
Three Phase 5500 watts	8

**SPECIFICATIONS - ALPHA ELECTRIC CHAIN HOIST SINGLE PHASE**

Type	Single-Speed Type					Variable-Speed Type					Dual-Speed Type				
	S-006	S-01	S-016	S-025	S-05	SV-006	SV-01	SV-016	SV-025	SV-05	SB-006	SB-01	SB-016	SB-025	SB-05
Model	H-006	H-01	H-016	H-025	H-05	HV-006	HV-01	HV-016	HV-025	HV-05	HB-06	HB-01	HB-016	HB-025	HB-05
Rated Load (lbs)	130	220	350	550	1100	130	220	350	550	1100	130	220	350	550	1100
Rated Load (kg)	60	100	160	250	500	60	100	160	250	500	60	100	160	250	500
Motor Output (W)	300		600			300		600			300		600		
Short Time Rating (min)	25					25					25				
Repetition Ratings	Load Time Rate ( )					30					30				
	Max. Starting Freq (times/h)					180					180				
Rated Current (A)	6 [4]	8 [5]	12 [6]	12 [6]	12 [6]	6 [4]	8 [5]	12 [6]	12 [6]	12 [6]	6 [4]	8 [5]	12 [6]	12 [6]	12 [6]
Lifting Speed (ft / min)	42	42	49	32	16	[3][42]	[3][42]	[3][49]	[3][32]	[1.5][16]	Low [16]	Low[13]	Low[16]	Low [13]	Low [6]
Standard Lift (ft)	10	10	10	10	10	10	10	10	10	10	High[42]	High[42]	High[49]	High[32]	High[16]
Headroom (in)	12.8	12.8	12.8	12.8	16.34	12.8	12.8	12.8	12.8	16.34	12.8	12.8	12.8	12.8	16.34
Push-button Cord Length (ft)	8	8	8	8	8	8	8	8	8	8	8	8	8	8	8
Load Chain - Dia. X Pitch (mm)	4 x 12	4 x 12	4 x 12	4 x 12	4 x 12	4 x 12	4 x 12	4 x 12	4 x 12	4 x 12	4 x 12	4 x 12	4 x 12	4 x 12	4 x 12
Net Weight (lbs)	32	32	36	36	44	33	33	38	38	45	32	32	36	36	44

- Notes:**
1. A power source cable of 16.5' is included.
  2. Figure in [ ] shows that of α H Type.
  3. Power supply voltage for operating the push-button switch is 24V 3 phase or 100V (or 200V) single phase.
  4. 500kg type is also available in 490kg.



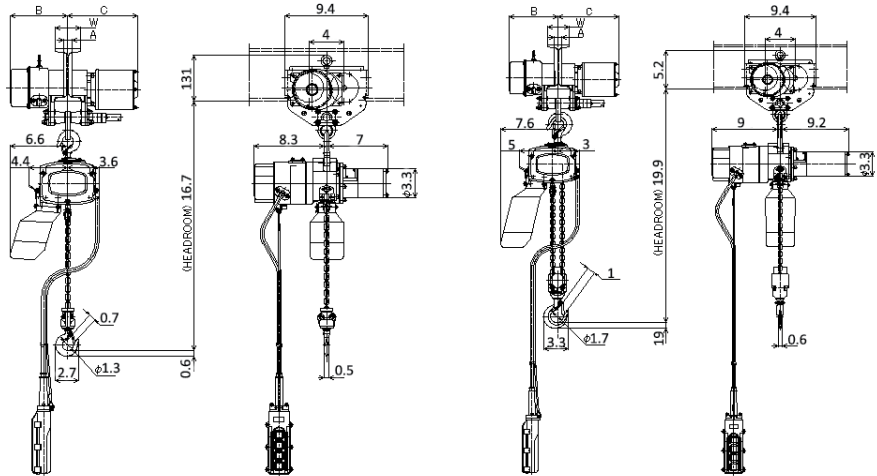




**SM SERIES**  
1-PHASE  
1-SPEED

**SBM SERIES**  
1-PHASE  
DUAL SPEED

**SVM SERIES**  
1-PHASE  
VARIABLE SPEED



Note-1: Length A changes according to the power source used.

Note-2: The B, C, E dimensions change according to the width of the applicable rail.

Motor Output	A (inches)
Single Phase 300 watts	7
Single Phase 600 watts	9

	Rail Width D (inches)		
	3	3.9	4.9
B	14.8	15.7	16.7
C	0.9	1.9	2.9
E	8.1	8.6	9.1

**SPECIFICATIONS - ALPHA MOTORIZED CHAIN HOIST SINGLE PHASE**

Model	Rated Load (lbs)	Rated Load (kg)	Voltage (V)	Head-room (in)	Standard Lift (ft)	Motor output (KW)	Lifting Speed (ft/min)	Traverse Motor Output (KW)	Traversing Spd. (ft/min): 50Hz/60Hz	Applicable Traversing Rail Width (in)	Min. Traversing Turning Radius (in)	Min. Height of Traversing Rail (in)	Net Weight (lbs)	
100-115V 200-230V														
SM-006	HM-006	130	60	115/230V	16.77	10	0.3	42	0.3	32 / 39	2.95 3.94 4.92	43.31	4.92	72
SVM-006	HVM-006	130	60	115/230V	16.77	10	0.3	[3] [42]	0.3	32 / 39		43.31	4.92	73
SBM-006	HBM-006	130	60	115/230V	16.77	10	0.3	L[16] H[42]	0.3	32 / 39		43.31	4.92	72
SM-01	HM-01	220	100	115/230V	16.77	10	0.3	42	0.3	32 / 39		43.31	4.92	72
SVM-01	HVM-01	220	100	115/230V	16.77	10	0.3	[3] [42]	0.3	32 / 39		43.31	4.92	73
SBM-01	HBM-01	220	100	115/230V	16.77	10	0.3	L[13] H[42]	0.3	32 / 39		43.31	4.92	72
SM-016	HM-016	350	160	115/230V	16.77	10	0.6	49	0.3	32 / 39		43.31	4.92	72
SVM-016	HVM-016	350	160	115/230V	16.77	10	0.6	[3] [49]	0.3	32 / 39		43.31	4.92	77
SBM-016	HBM-016	350	160	115/230V	16.77	10	0.6	L[16] H[49]	0.3	32 / 39		43.31	4.92	76
SM-025	HM-025	550	250	115/230V	16.77	10	0.6	32	0.3	32 / 39		43.31	4.92	76
SVM-025	HVM-025	550	250	115/230V	16.77	10	0.6	[3] [32]	0.3	32 / 39		43.31	4.92	77
SBM-025	HBM-025	550	250	115/230V	16.77	10	0.6	L[13] H[32]	0.3	32 / 39		43.31	4.92	76
SM-050	HM-050	1100	500	115/230V	20.31	10	0.6	16	0.3	32 / 39		43.31	4.92	84
SVM-050	HVM-050	1100	500	115/230V	20.31	10	0.6	[1.5] [16]	0.3	32 / 39		43.31	4.92	85
SBM-050	HBM-050	1100	500	115/230V	20.31	10	0.6	L[6] H[16]	0.3	32 / 39		43.31	4.92	84

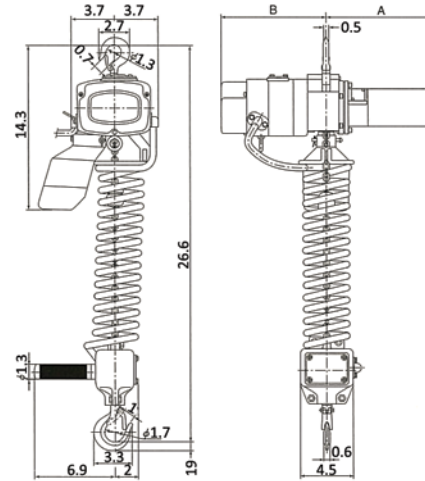
- Notes:**
1. The minimum distance between hooks slightly differs according to the size of the applicable traverse trail.
  2. The single-phase traverse motor has E-class insulation, and the short time rating is 15 min.
  3. The power cord of 0.5m extending from the trolley (3-core; 1 pc. for earth) is supplied.





**SDH SERIES**  
1-PHASE  
115V

**HDH SERIES**  
1-PHASE  
230V



Above schematic measured in inches

**DIMENSIONS - ALPHA ERGO GRIP**

	Dimension A (in)	Dimension B (in)
Single Phase up to 100kg	7	8.7
Single Phase up to 250kg	9.1	9
Three Phase up to 250kg	8	9

**SPECIFICATIONS - ALPHA ERGO GRIP 1 PHASE**

Type		Single - Speed Type		Dual-Speed Type		Variable Speed	
Model	115v	SDH-01	SDH-025	SBDH-01	SBDH-025	SVDH-01	SVDH-025
	230v	HDH-01	HDH-025	HBDH-01	HBDH-025	HDVH-01	HDVH-025
Rated Load (kg)		100	250	100	250	100	250
Rated Load (lbs)		220	550	220	550	220	550
Lift (ft )		8	8	8	8	8	8
Motor Output (W)		300	600	300	600	300	600
Motor Output (HP)		0.4	0.8	0.4	0.8	0.4	0.8
Short Time Rating (min)		25	25	25	25	25	25
Lifting Speed	Frequency (Hz)	60	60	60	60	60	60
	ft / min	43	33	13 / 43	13 / 33	3 ~ 43	3 ~ 33
Headroom ( in )		26.5	26.5	26.5	26.5	26.5	26.5
Weight (lbs)		44	49	44	49	44	49

- Notes:**
1. A power source cable of 16.5' is included.
  2. Power supply voltage for operating the push-button switch is 24V 3 phase or 100V (or 200V) single phase.
  3. 500kg type is also available to supply the equipment for the 490kg.





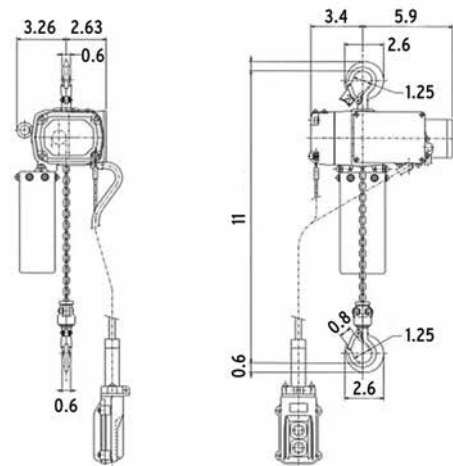
# BETA COMPACT ELECTRIC CHAIN HOIST

- 125kg & 200kg
- 1 Phase 115V
- Unit weight with standard lift is 10 lbs
- 11" headroom
- Ideal for carrying in tool boxes
- Overload protection device
- Overwind protection
- Plastic chain container
- Ratings JIS / ISO 1AM, FEM M4, ASME H3, Hoist protection is IP54, Pendant is IP65 NEMA 4X

## SPECIFICATIONS - BETA COMPACT ELEC. CHAIN HOIST

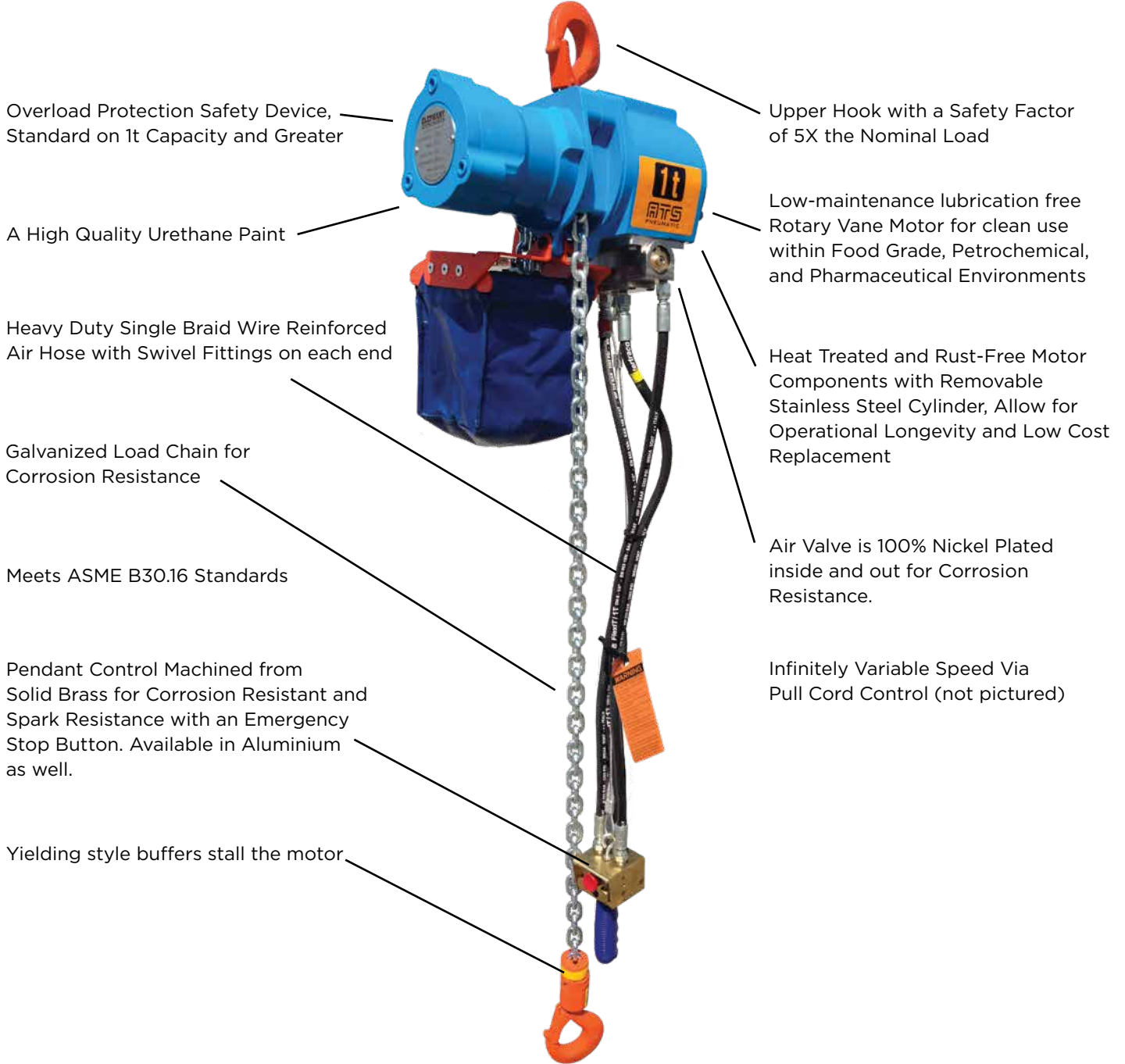
Model	BS-012	BS-020
Capacity (kg)	125	200
Capacity (lbs)	275 lb	440 lb
Motor output (H.P.)	0.25	
Short time rating (min.)	25	
%ED	30%	
Maximum starting frequency (times/h)	180	
Voltage	Single phase 115V	
Ampere (A)	4	
Lifting speed (ft / min.)	21	12.5
Headroom(in)	11	
Load chain (Dia. X Pitch)	3mm x 9mm	
Power cable (ft)	9.8 ft (1.25mm <sup>2</sup> x 3cores) with plug	
Weight	16.5 lb (10 ft lift) : 17lb (20 ft lift)	

\* Maximum lift is 32 ft



Above schematic measured in inches





Overload Protection Safety Device, Standard on 1t Capacity and Greater

A High Quality Urethane Paint

Heavy Duty Single Braid Wire Reinforced Air Hose with Swivel Fittings on each end

Galvanized Load Chain for Corrosion Resistance

Meets ASME B30.16 Standards

Pendant Control Machined from Solid Brass for Corrosion Resistant and Spark Resistance with an Emergency Stop Button. Available in Aluminium as well.

Yielding style buffers stall the motor

Upper Hook with a Safety Factor of 5X the Nominal Load

Low-maintenance lubrication free Rotary Vane Motor for clean use within Food Grade, Petrochemical, and Pharmaceutical Environments

Heat Treated and Rust-Free Motor Components with Removable Stainless Steel Cylinder, Allow for Operational Longevity and Low Cost Replacement

Air Valve is 100% Nickel Plated inside and out for Corrosion Resistance.

Infinitely Variable Speed Via Pull Cord Control (not pictured)

Atex approved, EX II 2 GD IIC T4 (X) / EX II 2 GD IIB T4 (X) / EX II 2 GD IIC T4 (X). Additional resistance can be offered with copper platings and stainless steel components.

Trolleys can be offered with 100% Stainless Steel Side Plates and Solid Bronze Wheels.

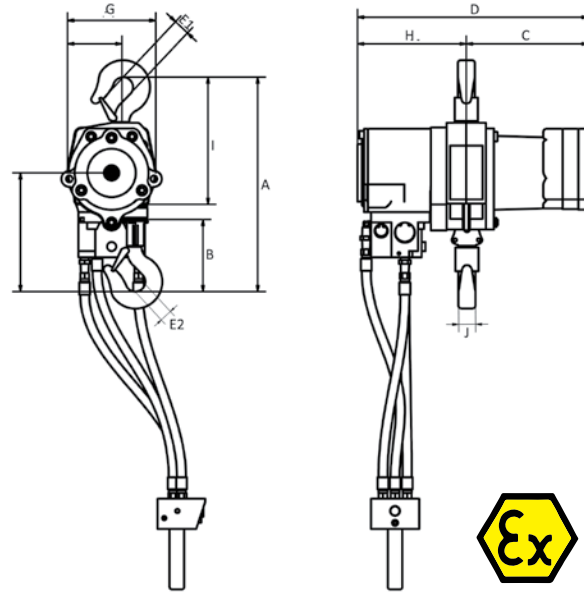
LME 155



SANS 1638 Compliant



# ATS INDUSTRIAL SERIES AIR CHAIN HOIST 0.25ton-2ton



## SPECIFICATIONS - ATS AIR CHAIN HOIST - 0.25ton - 2ton

		0.25	0.5	1	2
Lifting Capacity	mt	0.25	0.5	1	2
	T	0.27	0.55	1.1	2.2
Number of Fall of Chain		1	1	1	1
Motor Power Output	H.P.	1.9	1.9	1.9	2.4
	kW	1.4	1.4	1.4	1.8
Weight with Pull Cord	lbs.	55	55	64	72
Weight with Pilot Pendant	lbs.	62	62	71	79
Chain Weight Per Additional Foot of Lift	lbs.	0.75	0.75	0.75	1.5
Chain Dimension	mm	7x21	7x21	7x21	9x27
Air Pressure	PSI	87	87	87	87
	bar	6	6	6	6
Air Consumption at Full Load	cfm	60-75	60-75	60-75	95
	m <sup>3</sup> /min	1.75	1.75	1.75	1.75
Air Hose Connection	1" BSP				
Air Hose Dimension	3/4" (19mm - 25mm)				
Lifting Speed at Full Load	ft. / min.	89	62	19	29
Lifting Speed without Load	ft. / min.	98	98	26	43
Lower Speed with Full Load	ft. / min.	108	108	24	45
Standard Lift	ft.	10	10	10	10
Length of Control for Standard Lift	ft.	6.5	6.5	6.5	6.5
Noise Level	84 Dba @ 1m				

## DIMENSIONS - ATS AIR CHAIN HOIST - 0.25ton - 2ton

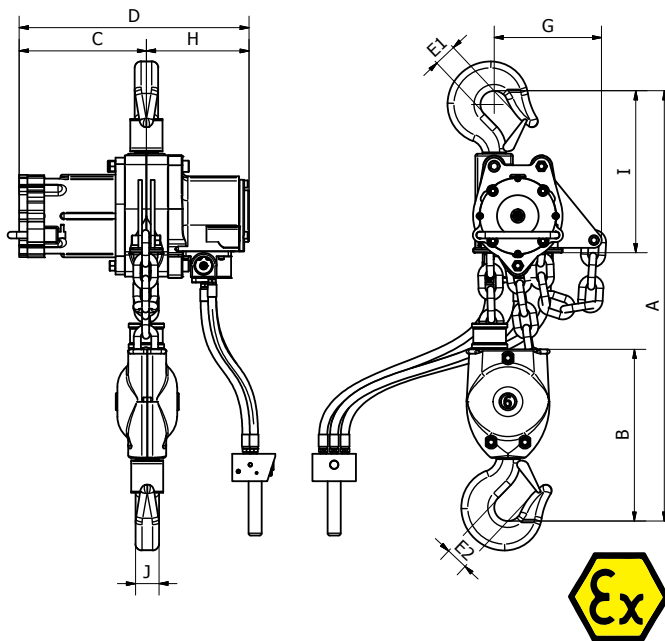
Type		0.25 ton	0.5 ton	1 ton	2 ton
A min. headroom	inch	12.8	12.8	12.8	12.8
	mm	325	325	325	325
B	inch	4.0	4.0	4.7	4.7
	mm	102	102	120	120
C	inch	3.9	3.9	8.0	8.0
	mm	99	99	202	202
D	inch	10.8	10.8	15.0	15.0
	mm	274	274	382	382
E1	inch	0.9	0.9	1.3	1.3
	mm	22	22	32	32
E2	inch	0.9	0.9	1.3	1.3
	mm	22	22	32	32
G maximum width	inch	5.7	5.7	5.7	5.7
	mm	146	146	146	146
H	inch	6.9	6.9	7.1	7.1
	mm	175	175	180	180
I	inch	7.7	7.7	8.3	8.3
	mm	196	196	211	211
J (hook Width)	inch	0.7	0.7	0.9	0.9
	mm	19	19	23	23

\* Chain containers will increase headroom





# ATS INDUSTRIAL SERIES AIR CHAIN HOIST 3ton-10ton



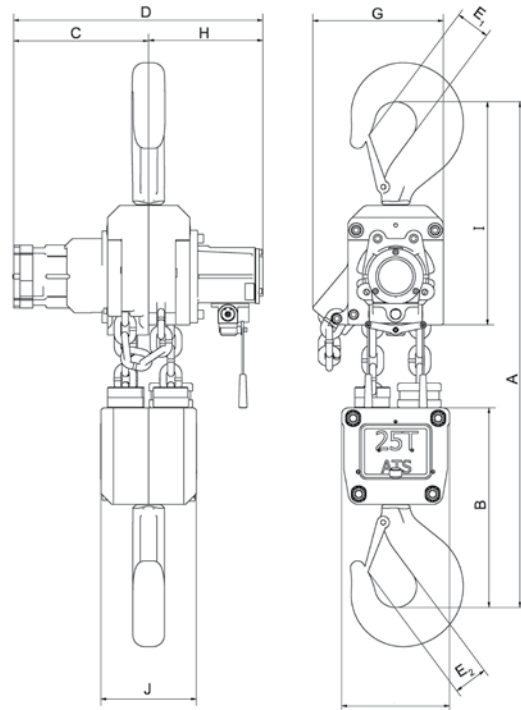
SPECIFICATIONS - AIR CHAIN HOIST - 3ton - 10ton						
Lifting Capacity	mt	3	4.2	5	6	10
	T	3.3	4.6	5.5	6.6	11
Number of Fall of Chain		1	1	1	2	2
Motor Power Output	H.P.	2.4	3.3	3.3	2.4	3.3
	kW	1.8	2.5	2.5	1.8	2.5
Weight with Pull Cord	lbs.	130	160	162	171	267
Weight with Pilot Pendant	lbs.	137	167	169	178	274
Chain Weight Per Add'l Foot of Lift	lbs.	2.6	2.5	4	5.2	8
Chain Dimension	mm	13 x 36	13 x 36	16 x 45	13 x 36	16 x 45
Air Pressure	PSI	72-102	72-102	72-102	72-102	72-102
	bar	5-7	5-7	5-7	5-7	5-7
Air Consumption at Full Load	cfm	110	110	110	110	110
	m3/min	1.75	1.75	1.75	1.75	1.75
Air Hose Connection	3/4" BSP					
Air Hose Dimension	3/4" (19mm - 25mm)					
Lifting Speed at Full Load	ft. / min.	18.3	8.5	8.5	9.3	4.2
Lifting Speed without Load	ft. / min.	23.75	9.8	18.3	13.1	9.1
Lower Speed with Full Load	ft. / min.	25.4	11.4	2.4	14.3	11.8
Standard Lift	ft.	10	10	10	10	10
Length of Control for Standard Lift	ft.	6.5	6.5	6.5	6.5	6.5
Noise Level	84 DbA @ 1m					

DIMENSIONS - ATS AIR CHAIN HOIST - 3ton - 10ton						
Type		3 ton	4.2 ton	5 ton	6 ton	10 ton
A min. headroom	inch	20.6	22.6	24.5	25.6	31.5
	mm	522	575	623	650	800
B	inch	8.9	10.8	10.8	13.1	12.6
	mm	225	275	275	333	320
C	inch	9.2	10.5	10.7	9.2	10.5
	mm	234	266	271	234	267
D	inch	18.9	17.9	18.3	18.9	20.5
	mm	480	454	464	480	521
E1	inch	1.6	1.7	1.7	1.6	1.7
	mm	40	42	42	40	42
E2	inch	1.6	1.7	1.7	1.6	1.7
	mm	40	42	42	40	42
G maximum width	inch	9.4	7.8	11.2	9.4	13.4
	mm	240	198	285	240	340
H	inch	9.7	9.7	7.6	9.7	10.0
	mm	246	246	193	246	254
I	inch	11.8	188	13.8	16.7	18.9
	mm	299	11.7	351	423	480
J (hook Width)	inch	1.8	3.1	3.1	1.9	2.1
	mm	45	80	80	48	53

\* Chain containers will increase headroom



# ATS INDUSTRIAL SERIES AIR CHAIN HOIST 15ton-25ton



## SPECIFICATIONS - AIR CHAIN HOIST - 15ton - 25ton

Specifications	Unit	15	20	25
Lifting Capacity	mt	15	20	25
	T	16.5	22	27.5
Number of Fall of Chain		4	4	4
Motor Power Output	H.P.	3.4	3.4	6.7
	kW	2.5	2.5	5
Weight with Pull Cord	lbs.	518	683	794
Weight with Pilot Pendant	lbs.	525	690	801
Chain Weight Per Additional Foot of Lift	lbs.	3.75	6.25	7.5
Chain Dimension	mm	13 x 36	16 x 45	16 x 45
Air Pressure	PSI	87	87	87
	bar	6	6	6
Air Consumption at Full Load	cfm	110	110	110
	m3/min	1.75	1.75	1.75
Air Hose Connection	1" BSP			
Air Hose Dimension	3/4" (19mm - 25mm)			
Lifting Speed at Full Load	ft. / min.	2.9	2.1	1.7
Lifting Speed without Load	ft. / min.	6.1	4.6	4.5
Lower Speed with Full Load	ft. / min.	4.8	5.9	6
Standard Lift	ft.	10	10	10
Length of Control for Standard Lift	ft.	6.5	6.5	6.5
Noise Level	84 DbA @ 1m			

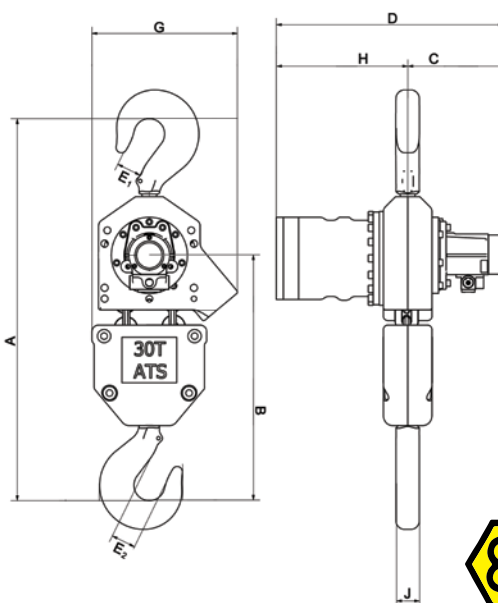
## DIMENSIONS - ATS AIR CHAIN HOIST - 15ton - 25ton

Type		15	20	25
A min. headroom	inch	37.0	38.5	40.5
	mm	940	979	1028.0
B	inch	17.1	18.0	19.4
	mm	434	457	494.0
C	inch	10.5	10.5	10.5
	mm	267	267	267.0
D	inch	20.5	20.5	20.5
	mm	521	521	521.0
E1	inch	1.9	1.9	2.2
	mm	48	48	56.0
E2	inch	1.9	1.9	2.2
	mm	48	48	56.0
G maximum width	inch	21.3	24.9	27.6
	mm	541	633	700.0
H	inch	10.0	10.0	10.0
	mm	254	254	254.0
I	inch	20.2	18.6	19.4
	mm	514	472	494.0
J (hook Width)	inch	2.5	2.5	2.8
	mm	63	63	71.0

\* Chain containers will increase headroom



# ATS INDUSTRIAL SERIES AIR CHAIN HOIST 30ton-40ton



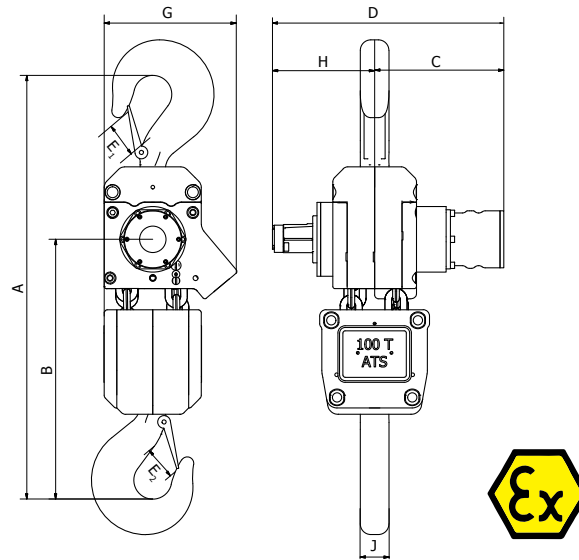
SPECIFICATIONS - ATS INDUSTRIAL SERIES - 30ton - 40ton				
Lifting Capacity	mt	30	37-40	
	T	33	40-44	
Number of Fall of Chain		2	3	
	Motor Power Output	H.P.	6.7	6.7
		kW	5	5
Weight with Pull Cord	lbs.	1124	1940	
Weight with Pilot Pendant	lbs.	1134	1950	
Chain Weight Per Additional Foot of Lift	lbs.	15	25	
Chain Dimension	mm	23.5x66	23.5x66	
Air Pressure	PSI	87	87	
	bar	5-7	5-7	
Air Consumption at Full Load	cfm	155	155	
	m3/min	4.4	4.4	
Air Hose Connection	1" BSP			
Air Hose Dimension	1" (25mm)			
Lifting Speed at Full Load	ft. / min.	2.9	2.3	
Lifting Speed without Load	ft. / min.	3.9	3.2	
Lower Speed with Full Load	ft. / min.	6.5	4.5	
Standard Lift	ft.	10	10	
Length of Control for Standard Lift	ft.	6.5	6.5	
Noise Level	84 DbA @ 1m			

DIM. - ATS INDUSTRIAL SERIES - 30ton - 40ton			
Type		30	37 - 40
A min. headroom	inch	49.4	57.4
	mm	1256.0	1458.0
B	inch	31.3	35.0
	mm	496.0	890.0
C	inch	12.4	15.7
	mm	316.0	400.0
D	inch	18.6	35.5
	mm	474.0	903.0
E1	inch	2.9	4.4
	mm	75.0	113.0
E2	inch	2.9	4.4
	mm	75.0	113.0
G maximum width	inch	18.8	18.0
	mm	478.0	456.0
H	inch	16.9	19.8
	mm	431.0	503.0
J (hook Width)	inch	4.1	4.1
	mm	106.0	106.0

\* Chain containers will increase headroom



# ATS INDUSTRIAL SERIES AIR CHAIN HOIST 50ton-100ton



## SPECIFICATIONS - ATS INDUSTRIAL SERIES- 50ton - 100ton

Lifting Capacity	mt	50-60	100
	T	55-66	110
Number of Fall of Chain		4	4
Motor Power Output	H.P.	4.2	4.2
	kW	3.2	3.2
Weight with Pull Cord	lbs.	2,028	5,027
Weight with Pilot Pendant	lbs.	2,036	5,037
Chain Weight Per Additional Foot of Lift	lbs.	33	57
Chain Dimension	mm	23.5x66	32x90
Air Pressure	PSI	87	87
	bar	5 to 7	5 to 7
Air Consumption at Full Load	cfm	160	160
	m3/min	6.2	6.2
Air Hose Connection	1.5" BSP		
Air Hose Dimension	1.5" (38mm)		
Lifting Speed at Full Load	ft. / min.	1.4	1
Lifting Speed without Load	ft. / min.	4.2	2.3
Lower Speed with Full Load	ft. / min.	3.2	2.6
Standard Lift	ft.	10	10
Length of Control for Standard Lift	ft.	6.5	6.5
Noise Level	84 DbA @ 1m		

## DIMENSIONS - ATS INDUSTRIAL SERIES - 50ton - 100ton

Type		50-60	100
A min. headroom	inch	58.1	78.9
	mm	1476	2006
B	inch	35.7	48.2
	mm	907	1230
C	inch	17.4	19
	mm	443	484
E1	inch	3.9	4.9
	mm	100	125
E2	inch	3.9	4.9
	mm	100	125
G maximum width	inch	17.8	24.6
	mm	453	625
H	inch	15.7	24
	mm	400	612
I	inch	33.1	43
	mm	843	1096
J	inch	4.1	6.2
	mm	106	160

\* Chain containers will increase headroom





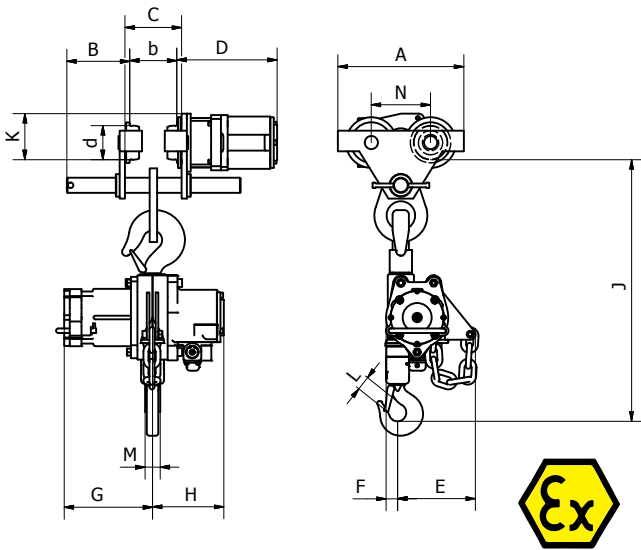
# AIR CHAIN HOIST WITH MOTORIZED TROLLEY

SPECIFICATIONS - ATS MOTORIZED TROLLEYS - 0.25 ton - 3ton

		ATSI-025	ATSI-050	ATSI-1	ATSI-2	ATSI-3
		TM2t				TM3t
Trolley Carrying Capacity	mt	2				3
	T	2.2				3.3
Carrying Capacity of hoist with trolley	mt	0.25	0.5	1	2	3
	T	0.27	0.55	1	2.2	3.3
Trolley Weight	lbs.	75				82
Hoist Weight with 10 ft. lift	lbs.	57	57	70	78	130
Total weight with 10 ft. lift and trolley	lbs.	132	132	145	153	212
Weight of Chain per ft. lift	lbs. / ft.	0.7			1.2	1.8
Chain Size		7 x 21			9 x 27	13 x 36
Number of chain strands		1				
Air Pressure Trolley Motor	bar	4-6				
Trolley motor air consumption (full load)	cfm	50				
Hoist motor air consumption (full load)	cfm	60-75			95	110
Motor Power Output Trolley	kW	0.3				
	HP	0.4				
Motor Power Output Hoist	kW	1.4			1.8	
	HP	1.9			2.4	
Traveling Speed (6 Bar)	m/min	12				
	ft. / min	39				
Hose Connection Motorized Trolley	mm	13			19	
	inch	0.5			0.75	
Minimum Beam Radius	m	1.5				1.5
	ft.	4.92				4.92
Maximum Bottom Flange width	mm	280				300
	inch	11				11.8
Minimum bottom Flange width	mm	65				70
	inch	2.5				2.75
Noise Level at Motorized Trolley	dBA	84				







- Motorized trolleys available for the ATSI & Rigger Series
- For hoist capacities greater than 20 ton, see the Monorail Style Units
- Air motor has a polished stainless steel cylinder
- Anti-tip and anti-drop devices
- Manufactured with high quality steel components, allowing for a compact design
- Available with spark resistant features
- Available with marine paint finish

**DIMENSIONS - ATS MOTORIZED TROLEYS - 0.25ton - 3ton**

		ATSI-025	ATSI-050	ATSI-1	ATSI-2	ATSI-3
		TM2t				TM3t
A	mm	330				330
	inch	13				13
B	mm	59				59
	inch	2.3				2.3
C	mm	b + 24				b + 25
	inch	b + 0.95				b + .98
d	mm	90				90
	inch	3.5				3.5
D	mm	263				266
	inch	10.4				10.5
E	mm	106			104	206
	inch	4.2			4	8.1
F	mm	39			42	30
	inch	1.5			1.7	1.2
G	mm	139		193	193	234
	inch	5.5		7.6	7.6	9.2
H	mm	179			182	189
	inch	7		7	7.1	7.4
J* (Lug Mount)	mm	398			395	490
	inch	15.6			15.5	19.2
J* (Hook Mount)	mm	496			505	692
	inch	19.5			19.8	27.2
K	mm	122				122
	inch	4.8				4.8
L	mm	23				30
	inch	0.9				1.1
M	mm	23				40
	inch	0.9				1.6
N	mm	157				157
	inch	62				62



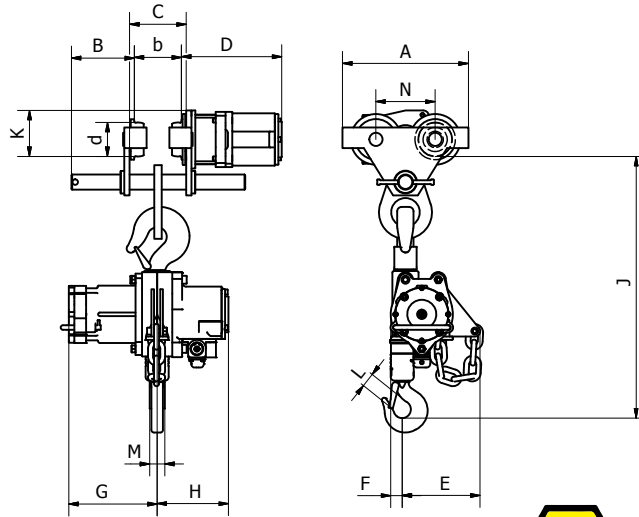


# AIR CHAIN HOIST WITH MOTORIZED TROLLEY

## SPECIFICATIONS - ATS MOTORIZED TROLLEYS - 4.2ton - 20ton

		ATSI-4.2	ATSI-5	ATSI-6	ATSI-10	ATSI-15	ATSI-20
		TM6t			TM10t	TM20t	
Trolley Carrying Capacity	mt	6			10	10	20
	T	6.6			11	22	
Carrying Capacity of hoist with trolley	mt	4.2	5	6	10	15	20
	T	4.6	5.5	6.6	11	16.5	22
Trolley Weight	lbs.	119			231	463	
Hoist Weight with 10 ft. lift	lbs.	160	162	171	267	518	683
Total weight with 10 ft. lift and trolley	lbs.	279	281	290	498	981	1146
Weight of Chain per ft. lift	lbs. / ft.	2.5	3.8	3.6	7.6	11.4	15.2
Chain Size		13 x 36	16 x 45	13 x 36	16 x 45		
Number of chain strands		1		2		3	4
Air Pressure Trolley Motor	bar	4-6					
Trolley motor air consumption (full load)	cfm	50					
Hoist motor air consumption (full load)	cfm	110					
Motor Power Output Trolley	kW	0.3			0.9		
	HP	0.4			1.2		
Motor Power Output Hoist	kW	2.5		1.8		2.5	
	HP	3.4		2.4		3.4	
Traveling Speed (6 Bar)	m/min	12					
	ft. / min	39					
Hose Connection Motorized Trolley	mm	19					
	inch	0.75					
Minimum Beam Radius	m	1.8			3	on request	
	ft	5.9			9.8		
Maximum Bottom Flange width	mm	305			305		
	inch	12			12		
Minimum bottom Flange width	mm	126			154		
	inch	4.9			6		
Noise Level at Motorized Trolley	dBA	84					



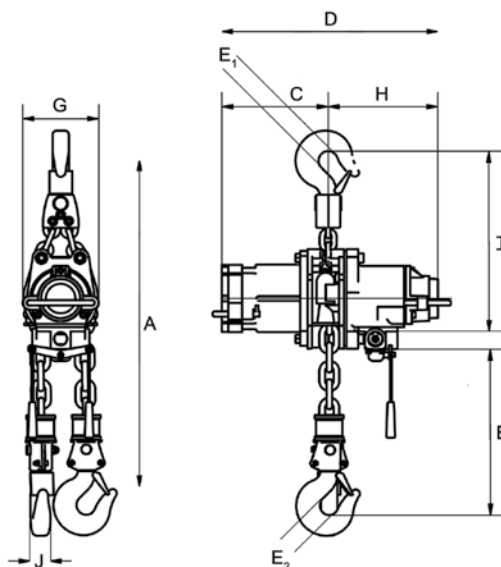


**DIMENSIONS - ATS MOTORIZED TROLEYS - 4.2ton - 20ton**

		ATSI-4.2	ATSI-5	ATSI-6	ATSI-10	ATSI-15	ATSI-20
		TM6t			TM10t	TM20t	
A	mm	400			500	1020	
	inch	15.75	15.75	15.75	19.6	40.2	40.2
B	mm	71			83	83	
	inch	2.8	2.8	2.8	3.3	3.3	3.3
C	mm	b + 27			b + 25	b + 25	
	inch	b + 1	b + 1	b + 1	b + .98	b + .98	b + .98
d	mm	109			145	145	
	inch	4.3	4.3	4.3	5.7	5.7	5.7
D	mm	277			277	277	
	inch	10.9	10.9	10.9	10.9	10.9	10.9
E	mm	201	243	182	195	351	228
	inch	7.9	9.6	7.2	7.7	13.8	9
F	mm	41	39	54	87	176	115
	inch	1.6	1.5	2.1	3.4	6.9	4.5
G	mm	234	271	234	271	271	321
	inch	9.2	10.6	9.2	10.6	10.6	12.6
H	mm	189	194	189	194	204	259
	inch	7.4	7.6	7.4	7.6	8	10.1
J* (Lug Mount)	mm	578	645	735	816	950	995
	inch	22.7	25.3	26.5	32.1	37.4	39.1
J* (Hook Mount)	mm	637	719	675	1000	1138	1280
	inch	25	28.3	28.9	39.3	44.8	50.3
K	mm	154			131	131	
	inch	6	6	6	5.2	5.2	5.2
L	mm	40			53	58	78
	inch	1.6	1.6	1.6	2	2.3	3
M	mm	51			46	52	65
	inch	2	2	2	1.8	2.1	2.6
N	mm	185			236	236	
	inch	7.3	7.3	7.3	9.3	9.3	9.3



# RIGGER SERIES AIR CHAIN HOIST



SPECIFICATIONS - ATS RIGGER CHAIN HOIST - 1ton - 6ton							
Lifting Capacity	mt	1/1	2/2	3/3	4.2/4.2	5/5	3/6
	T	1.1/1.1	2.2/2.2	3.3/3.3	4.6/4.6	5.5/5.5	3.3/6.6
Number of Fall of Chain		1	1	1	1	1	2
Motor Power Output	H.P.	1.9	1.9	2.4	3.3	3.3	3.3
	kW	1.4	1.4	1.8	2.5	2.5	2.5
Weight with Pull Cord	lbs.	97	97	137	187	271	205
Weight with Pilot Pendant	lbs.	104	104	144	194	280	213
Chain Weight Per Addt'l Ft. of Lift	lbs.	3	3	5.2	5	8	10.4
Chain Dimension	mm	7x21	9x27	13 x 36	13 x 36	16 x 45	13 x 36
Air Pressure	PSI	87	87	72-102	72-102	72-102	72-102
	bar	6	6	5-7	5-7	5-7	5-7
Air Consumption at Full Load	cfm	60-75	60-75	110	110	110	110
	m3/min	1.75	1.75	1.75	1.75	1.75	1.75
Air Hose Connection	1" BSP						
Air Hose Dimension	3/4" (19mm - 25mm)						
Lifting Speed at Full Load	ft. / min.	36	29	18.3	8.5	8.5	9.3
Lifting Speed without Load	ft. / min.	45	43	23.75	9.8	18.3	13.1
Lower Speed with Full Load	ft. / min.	36	45	25.4	11.4	24	14.3
Standard Lift	ft.	10	10	10	10	10	10
Length of Control for Standard Lift	ft.	6.5	6.5	6.5	6.5	6.5	6.5
Noise Level	84 DbA @ 1m						

DIM. - ATS RIGGER CHAIN HOIST - 1ton - 6ton							
Type		1 ton	2 ton	3 ton	4.2 ton	5 ton	6 ton
A min. headroom	inch	12.8	12.8	24.0	20.6	28.7	25.6
	mm	325	325	610	522	729	650
B	inch	4.7	4.7	8.9	8.9	12.6	13.1
	mm	120	120	225	225	320	333
C	inch	8.0	8.0	9.2	9.2	10.5	9.2
	mm	202	202	234	234	267	234
D	inch	15.0	15.0	18.9	18.9	20.5	18.9
	mm	382	382	480	480	521	480
E1	inch	1.3	1.3	1.6	1.6	1.7	1.6
	mm	32	32	40	40	42	40
E2	inch	1.3	1.3	1.6	1.6	1.7	1.6
	mm	32	32	40	40	42	40
G maximum width	inch	5.7	5.7	9.4	9.4	13.4	9.4
	mm	146	146	240	240	340	240
H	inch	7.1	7.1	9.7	9.7	10.0	9.7
	mm	180	180	246	246	254	246
I	inch	8.3	8.3	11.8	11.8	18.9	16.7
	mm	211	211	299	299	480	423
J (hook Width)	inch	0.9	0.9	1.8	1.8	2.1	1.9
	mm	23	23	45	45	53	48

\* Chain containers will increase headroom





**ROPE CONTROL**

Pull cord control allows for infinitely variable speed for lifting and lowering applications.



**PENDANT CONTROL**

Pendant controls are machined from solid brass for corrosion resistance. The control's emergency stop button is a standard feature. This style pendant control is also available in aluminum.



**REMOTE CONTROL PANEL**

With lift synchronization that allows for operation of any one hoist, or a combination of multiple units simultaneously



**WIRELESS CONTROL PENDANT**

Offered for standard environments, as well as spark resistant applications.





**Standard Model ATS Air Chain Hoists are Acceptable for Division 1 & 2 Applications, as follows:**

- Division 1 (Spark-Resistant air hoists are required)  
Atmospheres containing hazardous concentrations of flammable gases, dusts, or fibers, continuously, frequently or periodically, under normal operating conditions.
- Division 2 (Standard air hoists are required)  
Atmospheres, normally non-hazardous, in which a hazardous concentration of flammable gases, dusts, or fibers, occurs when a container or handling system fails, or the ventilating system which normally keeps the concentration non-hazardous, fails

**Classification of hazardous places**

**Gases, Vapours**

**Zone 0**

place in which an explosive atmosphere consisting of a mixture with air of flammable substances in the form of gas, vapour or mist is present continuously or for long periods or frequently

**Zone 1**

place in which an explosive atmosphere consisting of a mixture with air of flammable substances in the form of gas, vapour or mist is likely to occur in normal operation occasionally

**Zone 2**

place in which an explosive atmosphere consisting of a mixture with air of flammable substances in the form of gas, vapour or mist is not likely to occur in normal operation but, if it does occur, will persist for a short period only

**Dusts**

**Zone 20**

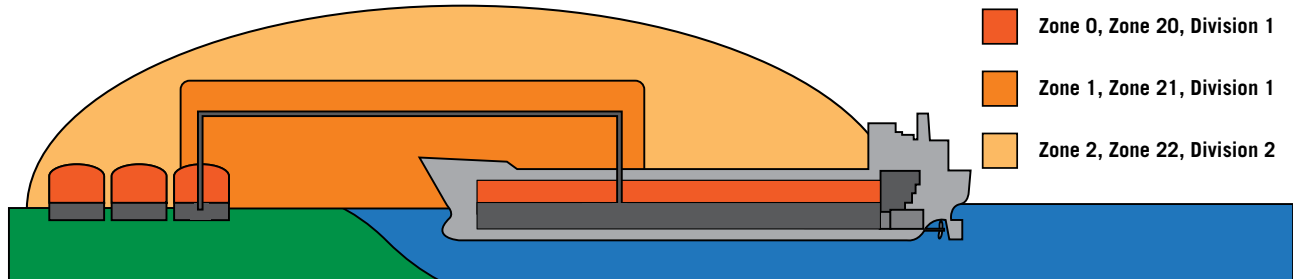
place in which an explosive atmosphere in the form of a cloud of combustible dust in air is present continuously, or for long periods or frequently

**Zone 21**

area in which an explosive atmosphere in the form of a cloud of combustible dust in air is likely to occur, occasionally in normal operation

**Zone 22**

area in which an explosive atmosphere in the form of a cloud of combustible dust in air is not likely to occur in normal operation but, if it does occur, will persist for a short period only

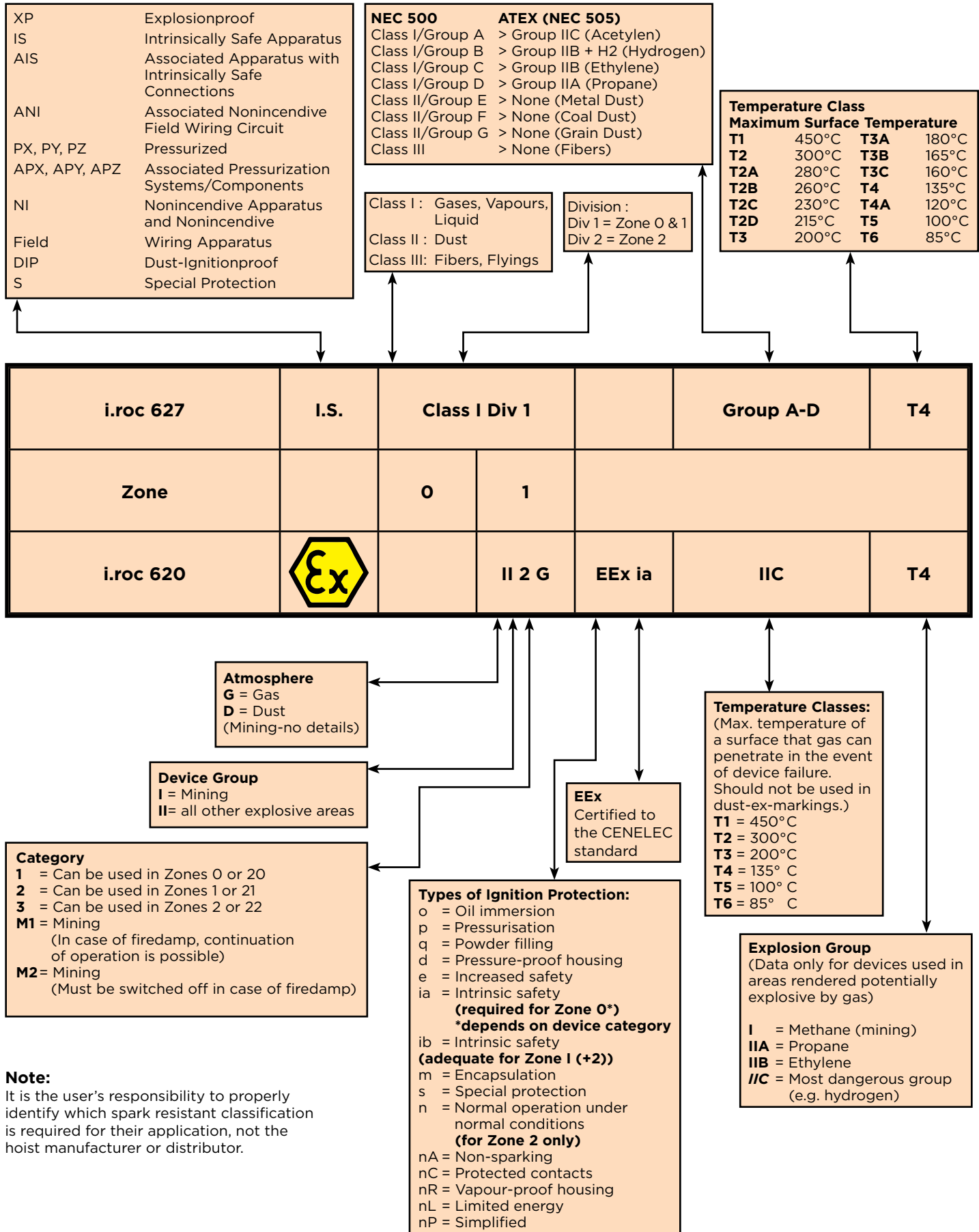


The above rendition is for reference only

Hazardous area				
Conditions and subdivisions			Required marking on the usable equipment	
Flammable materials	Temporary behaviour of explosive atmosphere	Classification of hazardous areas	Equipment Group as defined in directive 94/9/EC	Equipment category as defined in directive 94/9/EC
gases vapours	is present continuously or for long periods or frequently	zone 0	II	1G
	arises in normal operation occasionally	zone 1	II	2G or 1G
	is not likely to arise in normal operation, or if it does, will persist for a short time only	zone 2	II	3G or 2G or 1G
dusts	is present in the form of a cloud continuously, or for long periods or frequently	zone 20	II	1D
	occasionally develops into a cloud during normal operation	zone 21	II	2D or 1D
	is not likely to develop into a cloud during normal operation, or if it does, for a short time only	zone 22	II	3D or 2D or 1D
methane carbon dust	eration where there is a risk of explosion	-	I	M1
	disconnection where there is a risk of explosion	-	I	M2 or M1

Above codes are applicable to Atex standards

# ATEX Flow Chart





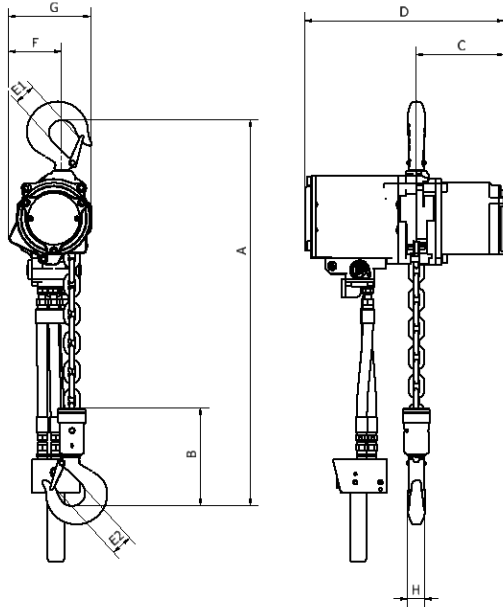
## ATS COMPACT SERIES AIR CHAIN HOIST 0.25t ~ 2 ton



SPECIFICATIONS - ATSC COMPACT SERIES AIR CHAIN HOIST - 0.25t - 2 ton

Lifting capacity (metric ton)	t	0.25	0.5	1	2
Number of Falls of Chain		1	1	1	2
Motor Power Output	kW	1.1	1.1	1.1	1.1
Weight with Standard Lift	lbs.	40	40	145	55
Chain Weight per Additional Foot of Lift	lbs.	0.75	0.75	0.75	1.5
Chain Dimension	mm	7 x 21	7 x 21	7 x 21	7 x 21
Air Pressure	bar	6	6	6	6
Air Consumption at Full Load	m <sup>3</sup> /min.	1.75	1.75	1.75	1.75
Air Hose Connection		1/2" BSP			
Air Hose Dimension		min 13mm (1/2")			
Lifting Speed at Full Load	ft./min.	89	64	22	13
Lifting Speed without Load	ft./min.	122	123	36	18
Lowering Speed with Full Load	ft./min.	98	98	36	20
Standard Lift	ft.	10	10	10	10
Length of Control for Standard Lift	ft.	6.5	6.5	6.5	6.5
Noise Level		84 dBA @ 1m			





**Features:**

- Lubrication free rotary vane motor - Rust free & replaceable stainless steel cylinder
- 100% Duty cycle
- Robust epicycle gearbox (grease filled and sealed)
- Choice pilot pendant with E-Stop or direct pendant control - Variable speed
- Urethane yielding buffers for upper and lower limit stops
- Aluminium and SG Iron housings
- Internal silencing
- High grade carbon steel swivel hooks with safety catches
- Galvanized Grade 80 Load chain made to EN818-7 standard - 5:1 Design factor of safety
- Automatic self-adjusting multi disc brake 125% WLL
- Tried and tested delta P design load limiting device set 130% WLL\*
- Spark resistant (Atex Zone 2)

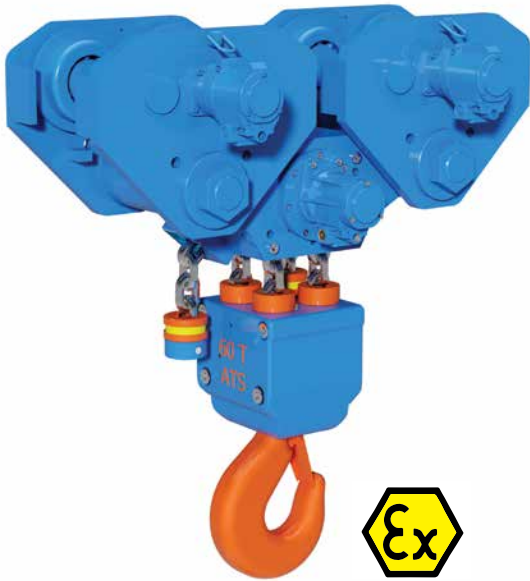
**Options:**

- Marine spec - Nickel coated and marine paint
- Corrosion resistance: stainless steel hooks and chain, special paints
- Chain containers
- Plain, geared and motorized trolleys

DIMENSIONS- ATSC COMPACT SERIES AIR CHAIN HOIST - 0.25t - 2 ton					
		0.25 ton	0.5 ton	1 ton	2 ton
A min. headroom	mm				
	inch	12.6	12.0	12.0	15.6
B	mm				
	inch	5.6	5.6	5.6	7.92
C	mm				
	inch	3.5	3.5	5.0	7.9
D	mm				
	inch	9.8	9.8	11.4	15.0
E1	mm				
	inch	0.9	0.9	0.9	0.9
E2	mm				
	inch	0.9	0.9	0.9	0.9
G Max. Width	mm				
	inch	4.6	4.6	4.6	5.6
H Hook Width	mm				
	inch	0.8	0.8	0.8	0.8



# ATS MONORAIL HOISTS 10ton - 60ton



### Standard Features:

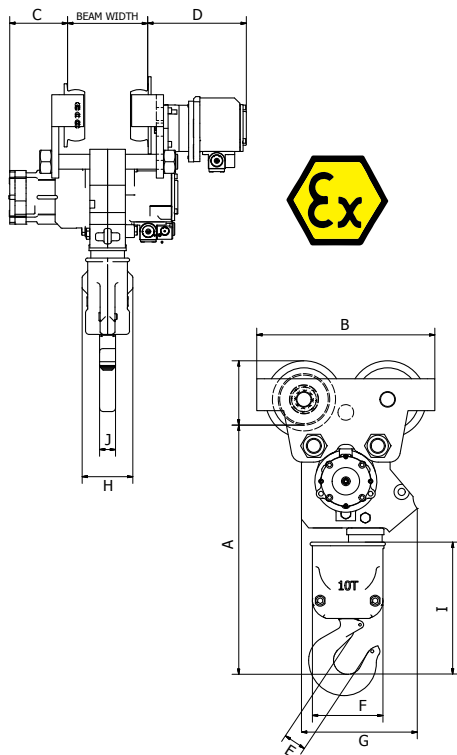
- Standard Hoists are Atex approved, EX II 2 GD IIC T4 (X) / EX II 2 GD IIB T4 (X) / EX II 2 GD IIC T4 (X)
- Copper platings and stainless steel components can be offered for increased spark resistance
- Lubrication free rotary vane motor. - Rust free & replaceable Stainless steel cylinder
- 100% Duty cycle
- Ideal for working in hazardous areas (Explosive environments)
- Temperature Rated -4°F to 158°F
- Insensitive to dust and humidity
- High Grade carbon steel swivel hooks with safety latches
- Galvanized Grade 80 Load chain made to EN818 standard - 5:1 Design factor of safety
- Automatic self-adjusting multi disc brake 125% WLL.
- Tried and tested slip clutch design load limiting device set 130% WLL.
- Compact design and Lowest headroom in class.
- Anti-climb and Anti-drop devices standard.
- Pilot Pendant control with Emergency shut-off valve
- Complaint with ASME B30.16

### SPECIFICATIONS - ATS MONORAIL HOISTS - 10ton - 60ton

		ATSM-10	ATSM-16	ATSM-20	ATSM-25	ATSM-30	ATSM-37 - 40	ATSM-50 - 60
Capacity	mt	10	16	20	25	30	37 - 40	50 - 60
	T	11	17.6	22	27.5	33	40 - 44	55 - 66
Unit Weight with 10 foot lift	lbs.	573	937	1,235	1830	1852	3075	3858
Weight of Chain per additional foot of lift	lbs. / ft.	8	12	16	16	16	24	33
Chain Size		16x45				23.5x66		
Number of chain strands		2	3	4	4	2	3	4
Air Pressure Trolley Motor	bar	4.5 - 7						
Air Consumption	cfm	110			160	160	160	
Motor Power Output	kW	5						
	H.P.	6.7						
Lifting Speed at Full Load	ft./min	4.2	2.8	1.8	1.9	2.9	2.2	1.4
Lifting Speed without Load		5.2	4.6	3.2	4.6	6.8	5.2	4.2
Lowering Speed with Full Load		7.2	5.9	4.6	5.9	5.2	6.2	5.2
Traveling Speed	ft./min	39						
Air Hose Connection		1"			1.5	1.5	1.5	
Air Hose Dimension		3/4"			1"			
Noise Level at Motorized Trolley	dB(A)	84						







**ATS Monorail hoists** are designed for the offshore industry, or wherever heavy loads have to be moved in confined spaces. Depending on the application these hoists can be used in pairs or even sets of four units. For example: Working in parallel units handling BOP handling systems from 20 ton to 150 tons. Or working in unison and connected by a tie bar for handling heat exchangers.

**Options:**

- Rack and pinion drive
- Marine Spec - Nickel coated and marine paint
- Corrosion resistance: special paints
- Chain containers
- Integrated Wireless Load cells
- Remote control panel - with lift synchronization
- Third Party Acceptance available on request

**Special Application:**

- If you have a unique application and require a non-standard system, a unit can be designed to your requirements

**DIMENSIONS - ATS MONORAIL HOISTS - 10ton - 60ton**

		ATSM-10	ATSM-16	ATSM-20	ATSM-25	ATSM-30	ATSM-37 - 40	ATSM-50 - 60
A	mm	703	745	783	973	973	1085	1089
	inch	27.7	29.3	30.8	38.3	38.3	42.7	42.9
B	mm	502	600	600	1060	1060	1100	1460
	inch	19.8	23.6	23.6	41.7	41.7	43.3	57.5
C	mm	163	164	171	181	181	252	252
	inch	6.4	6.5	6.7	7.1	7.1	9.92	9.92
D	mm	278.3	303	301	302	302	302	313
	inch	11	11.9	11.9	11.9	11.9	11.9	12.3
E	mm	64	67	78	75	75	100	100
	inch	2.5	2.6	3.1	3	3	3.9	3.9
F	mm	199	325	258	363	363	290	333
	inch	7.8	12.8	10.1	14.3	14.3	11.4	13.1
G	mm	326	502	432	537	537	537	537
	inch	12.8	19.8	17.0	21.1	21.1	21.1	21.1
H	mm	143	118	230	320	320	377	377
	inch	5.6	4.6	9.0	12.6	12.6	14.8	14.8
I	mm	372	444	449	572	572	670	689
	inch	14.6	17.4	17.6	22.5	22.5	26.3	27.1
J	mm	45	80	80	90	90	106	106
	inch	1.8	3.1	3.1	3.5	3.5	4.1	4.1





## ATS LOW PROFILE 0.25ton - 6ton

Ideal for areas where headroom is restricted and standard trolleys are not able meet the lifting height requirements, the ATS UL Series Low Headroom Trolleys are recommended.

SPECIFICATIONS - ATS ULTRA LOW PROFILE 0.25ton - 6ton

		ATSUL-025	ATSUL-050	ATSUL-1	ATSUL-2	ATSUL-3	ATSUL-4.2	ATSUL-5	ATSUL-6
Trolley Model / Trolley Carrying Capacity		LM-2, 2ton				LM-6, ton			
Carrying Capacity of Hoist with Trolley	mt	0.25	0.5	1	2	3	4.2	5	6
	T	0.27	0.55	1.1	2.2	3.3	4.6	5.5	6.6
Unit Weight with 10 foot lift	lbs.	198	198	211	219	465	496	498	510
Weight of Chain per additional foot of lift	lbs. / ft.	2.2	2.2	2.2	4	6	8.3	13	12
Chain Size		7x21			9x27	11.2x34	13x36	16x45	11.2x34
Number of chain strands		1							4
Air Pressure Trolley Motor	bar	4 - 6							
Air Consumption	cfm	60-75			95	110			
Motor Power Output (Hoist)	kW	1.4				3.2			
	H.P.	1.8				4.2			
Lifting Speed at Full Load	ft./min	88.5	64.0	22.0	29.0	15.0	12.0	8.5	7.5
Lifting Speed without Load		121.0	121.0	36.0	43.0	19.0	16.0	18.0	10.0
Lowering Speed with Full Load		82.0	82.0	29.5	29.5	20.0	19.0	16.0	10.0
Traveling Speed	ft./min	39							
Air Hose Connection		3/4"							
Air Hose Dimension		3/4"							
Traversing I-Beam Width	inch	3.3 - 12.2				1.3 - 4.9			
Maximum Bottom Flange Thickness	inch	0.98				1.3			
Noise Level at Motorized Trolley	dB(A)	84							

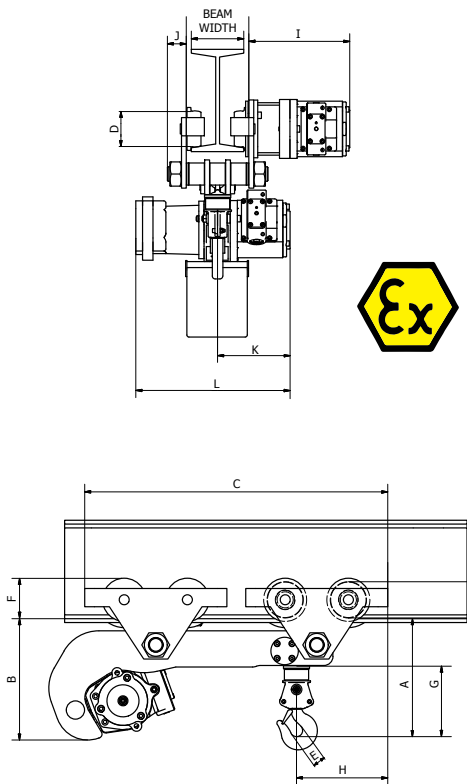


**Standard Features:**

- Standard Hoists are Atex approved, EX II 2 GD IIC T4 (X) / EX II 2 GD IIB T4 (X) / EX II 2 GD IIC T4 (X)
- Copper platings and stainless steel components can be offered for increased spark resistance
- Lubrication free rotary vane motor. - Rust free & replaceable Stainless steel cylinder
- 100% Duty cycle
- Ideal for working in hazardous areas (Explosive environments)
- Temperature Rated -4°F to 158°F
- Insensitive to dust and humidity
- High Grade carbon steel swivel hooks with safety catches.
- Galvanized Grade 80 Load chain made to EN818 standard - 5:1 Design factor of safety
- Automatic self-adjusting multi disc brake 125% WLL.
- Tried and tested slip clutch design load limiting device set 130% WLL.
- Compact design and Lowest headroom in class.
- Anti-climb and Anti-drop devices standard.
- Pilot Pendant control with Emergency shut-off valve
- Compliant with ASME B30-11 and B30-16

**Options:**

- Marine Spec - Nickel coated and marine paint
- Corrosion resistance: special paints
- Chain containers



**DIMENSIONS - ATS ULTRA LOW PROFILE 0.25ton - 6ton**

		ATSUL-050	ATSUL-1	ATSUL-2	ATSUL-3	ATSUL-4.2	ATSUL-5	ATSUL-6
A	mm	267	267	270	345	376	433	522
	inch	10.5	10.5	10.6	13.6	14.8	17.0	20.6
B	mm	305	305	301	280	280	280	280
	inch	12.0	12.0	11.85	11.0	11.0	11.0	11.0
C	mm	680	680	680	845	845	845	845
	inch	26.8	26.8	26.8	33.3	33.3	33.3	33.3
D	mm	90	90	90	109	109	109	109
	inch	3.5	3.5	3.5	4.3	4.3	4.3	4.3
E	mm	23	23	23	30	30	40	40
	inch	0.9	0.9	0.9	1.2	1.2	1.6	1.6
F	mm	122	122	122	154	154	154	154
	inch	4.8	4.8	4.8	6.1	6.1	6.1	6.1
G	mm	145	145	148	230	230	268	357
	inch	5.7	5.7	5.8	9.1	9.1	10.6	14.1
H	mm	207	207	207	168	168	168	168
	inch	8.1	8.1	8.1	6.6	6.6	6.6	6.6
I	mm	254	254	254	272	272	272	272
	inch	10.0	10.0	10.0	10.7	10.7	10.7	10.7
J	mm	58	58	58	73	73	73	73
	inch	2.3	2.3	2.3	2.9	2.9	2.9	2.9
K	mm	176	176	176	266	266	271	266
	inch	6.9	6.9	6.9	10.5	10.5	10.7	10.5
L	mm	276	276	276	451	482	482	451
	inch	10.9	10.9	10.9	17.8	19.0	19.0	17.8





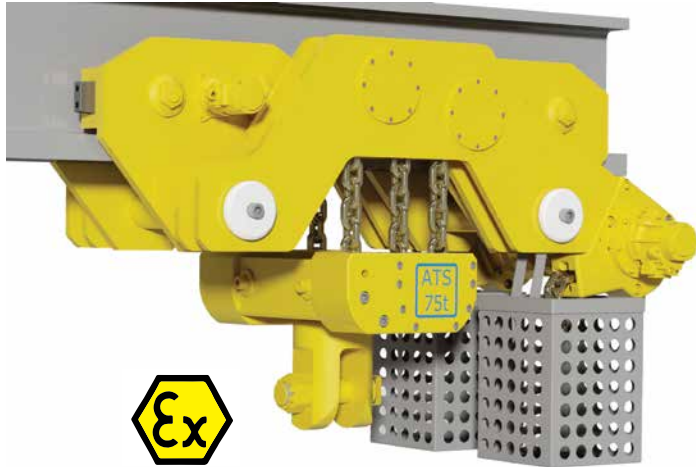
# ATS UUL ULTRA LOW PROFILE 0.5ton - 20ton

TECHNICAL DATA - ATS UUL ULTRA LOW PROFILE HOISTS - 0.5ton - 20ton

		UUL-05	UUL-1	UUL-2	UUL-3	UUL-4	UUL-6	UUL-10	UUL-12	UUL-16	UUL-20	
Capacity	mt	0.5	1	2	3	4	6	10	12	16	20	
	T	0.55	1.1	2.2	3.3	4.4	6.6	11.0	13.2	17.6	22.0	
Unit Weight with 10 foot lift	lbs.	198	211	219	465	496	510	1221	1221	1307	1331	
Weight of Chain per additional foot of lift	lbs. / ft.	2.2		6		12		24		48		
Chain Size		7x21		9x27		13x36		13x36				
Number of chain strands		2		2		2		4				
Minimum Headroom	mm	143		170		198		257		310		
	inches	5.63		6.69		7.80		10.12		12.20		
Air Pressure	bar	4-7										
Air Consumption	cfm	95				110						
Motor Power Output	kW	1.4					3.2					
	H.P.	1.9					4.3					
Lifting Speed at Full Load	ft./min	32	12	11	15	14	10	9	7	6	4.2	
Lifting Speed without Load		61	18	18	21	21	14	9.5	9.5	8	9	
Lowering Speed with Full Load		49	18	20	21	22	14	9.1	10	9.5	12	
Traveling Speed	ft./min	39										
Air Hose Connection	inch	3/4					1		1.5			
Air Hose Dimension	inch	3/4					1					
Traversing I-Beam Width	inch	0.9-3.3				1.3-4.9						
Maximum Bottom Flange Thickness	inch	0.9					1.3					
Noise Level at Motorized Trolley	dB(A)	84										

\* Specific Dimensions Provided Upon Request





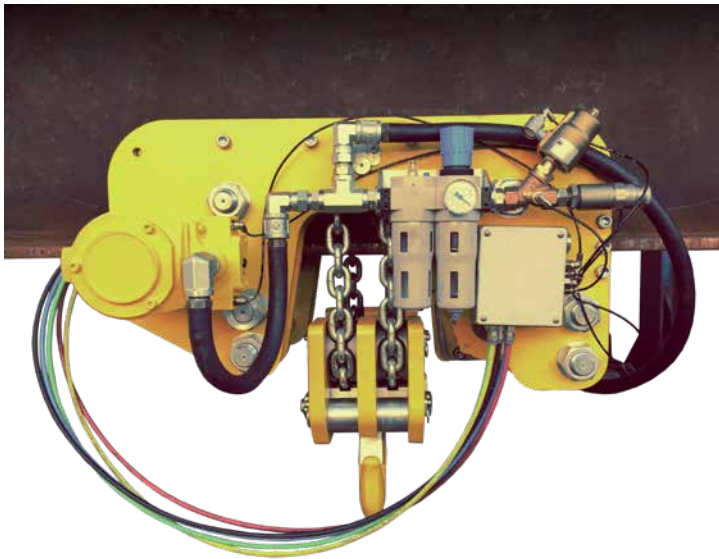
# ATS UUL ULTRA LOW PROFILE LARGE CAPACITY 50t - 120ton

## TECHNICAL DATA - ATS UUL ULTRA LOW PROFILE LARGE CAPACITY - 50ton - 120ton

		UUL-50 - 60	UUL-75 - 90	UUL-100 - 120
Capacity	mt	50 - 60	75 - 90	100 - 120
	T	55 - 66	82.6 - 99	110 - 132
Unit Weight with 10 foot lift	lbs.	4850	7385	10119
Weight of Chain per additional foot of lift	lbs. / ft.	33	49	66
Chain Size		23.5x66		
Number of chain strands		4	6	8
Minimum Headroom	mm	442	520	720
	inches	17.4	20.5	28.3
Air Pressure	bar	5-7		
Air Consumption	cfm	320		
Motor Power Output	kW	5x2		
	H.P.	6.7x2		
Lifting Speed at Full Load	ft./min	3.6	2.1	1.6
Lifting Speed without Load		5.25	3.6	2.6
Lowering Speed with Full Load		6.2	3.9	2.9
Traveling Speed	ft./min	39		
Air Hose Connection	inch	1.5x2		
Air Hose Dimension	inch	1.5		
Noise Level at Motorized Trolley	dB(A)	84		

\* Specific Dimensions Provided Upon Request





# BOP HANDLING MATRIX

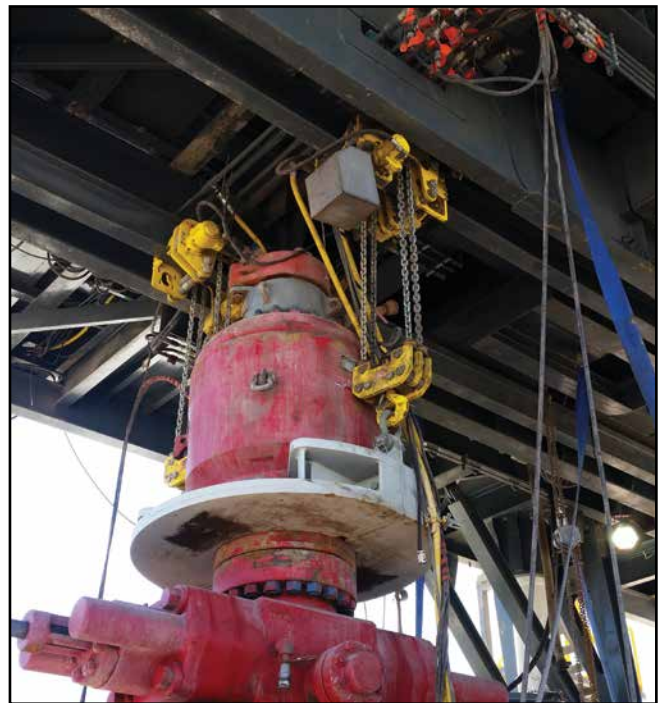
## 20t, 30t, 40t, 50t, 60t, 75t, 100t, 150t, 180t, 200t, & 240t

**Application:** Designed for handling Blow Out Preventers on land and offshore drilling rigs. ATS Pneumatic's BOP systems have been engineered to meet or exceed current regulations set forth for the oilwell drilling industry.

- Standard Hoists are Atex approved, EX II 2 GD IIC T4 (X) / EX II 2 GD IIB T4 (X) / EX II 2 GD IIC T4 (X)
- Copper platings and stainless steel components can be offered for increased spark resistance
- Please see monorail hoist information on pages 68 and 69 of this catalog
- Can be used in pairs, or even sets of four
- Can be controlled via a synchronized control console that allows for operation of any one hoist, or combination of multiple units simultaneously
- Can be offered with integral wireless load cells
- ABS and DNV load test witness can be arranged
- Bottom blocks have water drain ports, allowing corrosive sea water to drain from the block
- The sheave for the load chain has an exterior access point for lubrication
- Filter lubricator station mounted on unit
- Corrosion resistant marine packages are available with special platings and paint finishes
- Galvanized steel and stainless steel chain containers are available









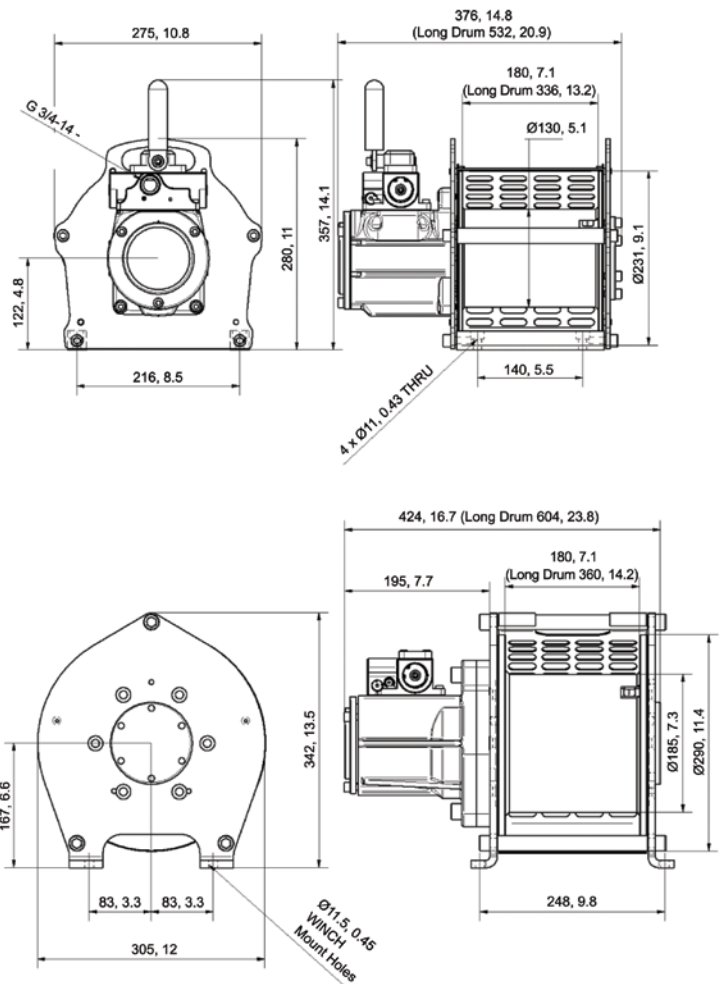
# ATS PNEUMATIC WINCHES

## Jr1.5t ~ Sr2.4t

ATS Air Winches are designed for Lifting and pulling applications in difficult applications like Marine, Offshore industry, Mining or wherever heavy loads have to be moved in confined spaces.

### Standard Features:

- Lubrication free rotary vane motor – rust free & replaceable stainless steel cylinder.
- 100% duty cycle.
- Ideal for working in hazardous areas (explosive environments).
- Temperature rated -20°C to 70°C.
- Insensitive to dust and humidity.
- Designed to conform with ASME 30.7 and FEM Classification 1Bm.
- Designed with a 5:1 factor of safety for lifting.
- Automatic self-adjusting multi disc brake 125% WLL
- Tried and tested Delta P load limiting device set 130% WLL for all CE model (lifting only).
- Spark resistant (Atex Zone 1 & 2).
- Compact design and lowest weight in class.
- Pilot pendant control with emergency shut-off valve or Variable speed toggle control.
- **OPTIONAL** Declutchable drum for free spooling.
- Individually load tested before shipment – Delivered with Load Test Certificate.

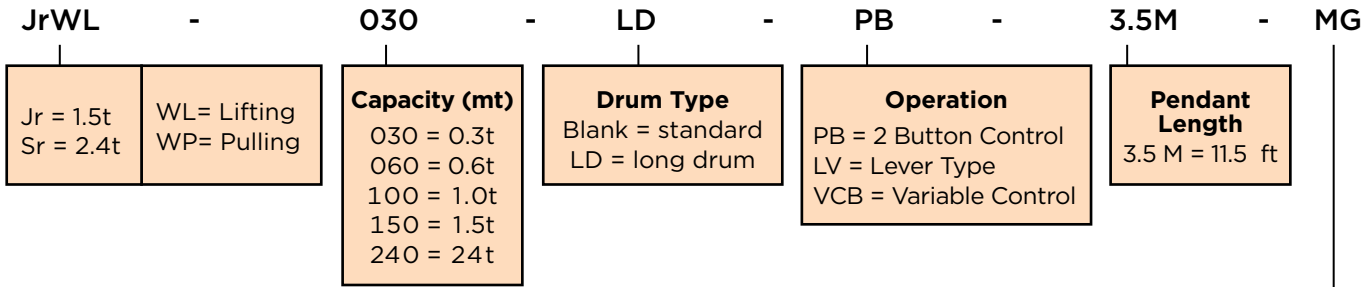


Above schematics  
mm, in



# Structure of our Model Numbers

## Example JrWL-030-LD-PB-3.5M-MG

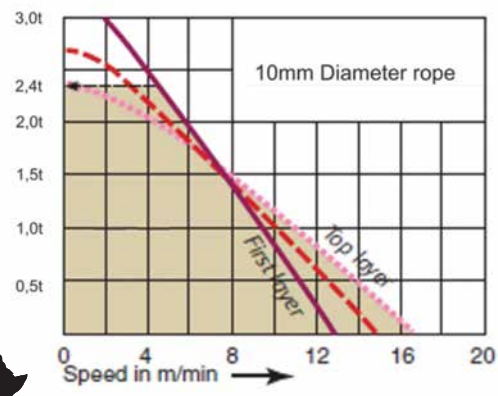
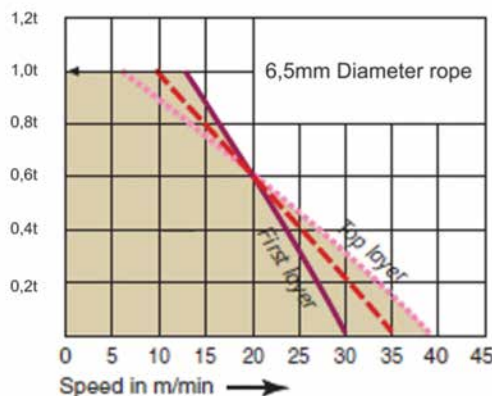


**Additions**

- OD = No drum guard
- FLA = Filter lubricator assembly
- FRLA = Filter regulator lubricator assembly
- KN = Nickle, corrosion resistant finish
- MG = Marine grade paint finish
- FS = Free spool, declutchable
- ES = Estop
- MLD = Mainline disconnect

### SPECIFICATIONS

Series		WL Model						WP Model			
		Lifting safety factor is 5:1, pulling safety factor is 3.5:1									
		Jr030	Jr030LD	Jr060	Jr060LD	Sr150	Sr150LD	Jr100	Jr100L	Sr240	Sr240L
Carrying Capacity	mt	0.3	0.3	0.6	0.6	1.5	1.5	1.0	1.0	2.4	2.4
Winch weight	kg/lbs	39/86	46/102	39/86	46/102	65/144	77/170	39/86	46/102	65/144	77/170
Air Consumption Full load	cfm	90	90	90	90	125	125	90	90	125	125
Air connection	mm	3/4" BSP									
Hose connection	mm	19 (3/4")									
Air pressure	bar	4.7 (Performance figures tested @ 6.3)									
Lifting Speed at Rated Load, 1st Layer	m/min / ft/min	35/114	35/114	21/69	21/69	7.5/24	7.5/24				
Pulling Speed at Rated Load, 1st Layer	m/min / ft/min							12/39	12/39	4/13	4/13
Recommended Rope Size	mm/in	5/0.1875	5/0.1875	6.5/.25	6.5/.25	10/0.375	10/0.375	6.5/0.25	6.5/0.25	10/0.375	10/0.375
Cumulated Working rope capacity											
Layer 1	m/ft	14/46	26/85	11/36	20/65	10/32	21/68	11/36	20/65	10/32	21/68
Layer 2	m/ft	30/98	55/180	23/75	43/141	21/68	44/144	23/75	43/141	21/68	44/144
Layer 3	m/ft	47/154	85/278	27/88	67/219	34/111	70/229	27/88	67/219	34/111	70/229
Layer 4	m/ft	65/213	118/387	51/167	93/305			51/167	93/305		
Layer 5	m/ft	84/275	152/498	67/219	122/400			67/219	122/400		
Layer 6	m/ft	104/341	188/616	84/275	152/498			84/275	152/498		
Layer 7	m/ft	125/410	226/741								
Layer 8	m/ft	147/482	266/892								
Minimum rope breaking Force	kN/lbs	15/3372	15/3372	30/6744	30/6744	75/16,860	75/16,860	35/7868	35/7868	84/18,883	84/18,883
Noise level	dB(A)	87									







## CORROSION RESISTANT +V CLASS “WHITE” LOAD CHAIN

### Made in Japan by Elephant Chain Block

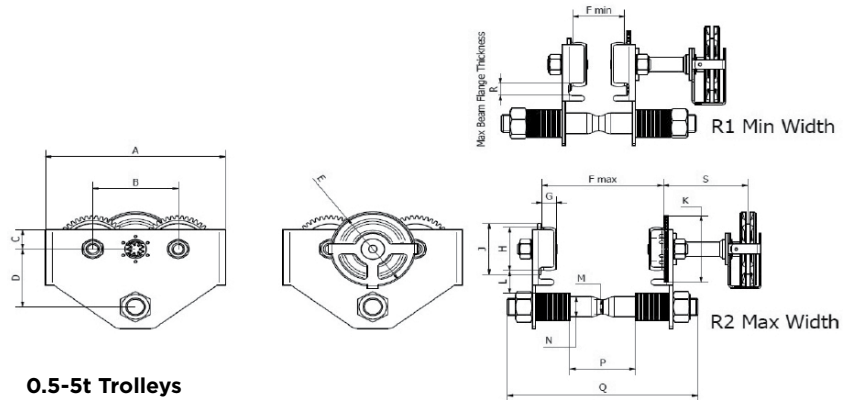
A specialized manufacturer of the world's highest grade chain. Our chain adheres to the German DIN 5684. +V (plus V) class high tensile strength (105kgf/mm<sup>2</sup>) load chain, surpassing ISO grade V standards. See characteristics of the chain below.

#### CHARACTERISTICS - ELEPHANT GRADE +V (PLUS V) LOAD CHAIN

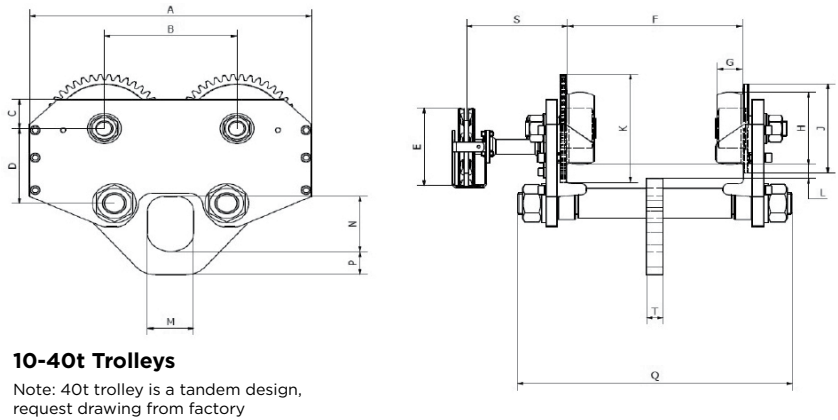
Mechanical Properties	ISO 16872:2008 Grade VH, fine tolerance chain	ELEPHANT +V (plus V) load chain
Minimum breaking stress (kgf/m m2)	100	105
Total ultimate elongation (%)	Min 17.0	Min. 22.0
Temperature limit for ordinary use (F°)	32°	Min. -40° Max. +302°



# GRIPPA PUSH & GEARED TROLLEYS



- Solid carbon steel design
- Adjustable to fit various beam widths with traditional spacers
- Wheels of the units fit both I-beams and H-beams
- Trolley wheels are coated for corrosion resistance
- With anti-drop plates
- 100% stainless steel spark resistant & corrosion resistant units
- Lug mount adaptors are available, for hoist to trolley combination



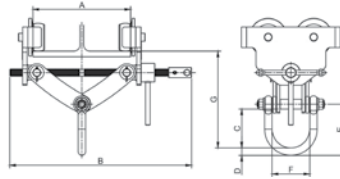
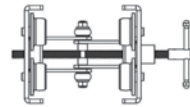
## SPECIFICATIONS & DIMENSIONS - GRIPPA BEAM CRAWLS

Model	Headroom (in)	A	B	C	D	E	Beam Width Range (F)	G	H	J	K	L	M	N	P	Q	R	S	T	Min Beam Radius (in)	Unit Weight, Push (lbs)	Unit Weight, Geared (lbs)
0.5t	1.73	7.4	3.7	1.1	3.3	N/A	1.9 - 5.6	0.6	2.2	3.0	NA	1.6	1.0	1.2	2.9	9.1	0.8	N/A	N/A	29.5	12.1	N/A
1t	2.5	9.6	4.5	1.4	4.3	6.1	2.9 - 8.3	0.7	2.6	3.3	3.8	2.2	1.0	1.4	4.3	11.8	1.0	6.2	N/A	35.4	22.25	30
2t	1.8	13.0	6.2	1.6	4.7	6.1	3.5 - 8.6	1.0	3.5	4.2	5.4	1.9	1.2	1.6	4.7	13.8	1.0	6.2	N/A	43.3	42	50
3t	2.1	13.0	6.2	1.6	5.3	6.1	3.9 - 8.2	1.0	3.5	4.2	5.4	2.4	1.4	1.9	4.9	12.8	1.1	6.2	N/A	43.3	53	62
5t	3	14.4	6.9	1.6	6.5	6.1	4.4 - 8.3	1.4	4.3	5.5	5.9	2.9	1.6	2.4	5.9	14.6	1.4	6.6	N/A	59	92	101
10t	6.85	19.8	9.3	2.3	5.9	6.1	6.8 - 12.0	1.7	5.7	7.0	8.5	1.1	3.2	4.3	1.8	19.3	1.1	7.1	1.2	82.6	232	250
20t	10.25	24.0	11.4	4.7	10.4	8.1	6.8 - 12.0	2.6	7.9	9.6	10.8	3.3	4.3	5.9	2.8	21.7	1.6	8.6	1.6	137	618	630
40t	11.61	52.0	*	5.3	9.3	7.9	6.8 - 12.0	2.5	7.9	9.6	10.8	3.3	4.9	5.9	3.3	23.6	2.0	8.2	2.4	NA	1510	1542

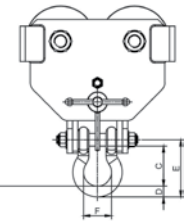
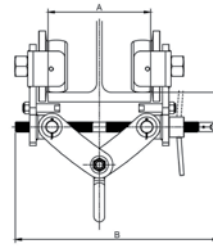




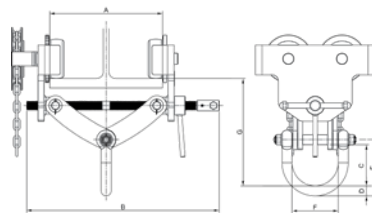
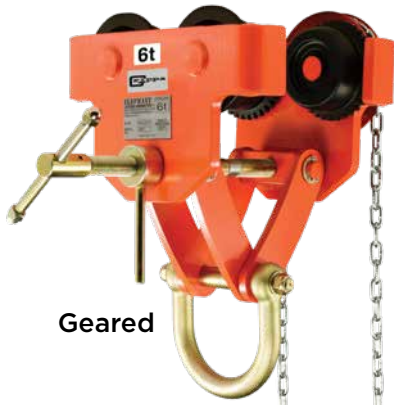
# GRIPPA RIGGER STYLE PUSH & GEARED ADJUSTABLE TROLLEYS



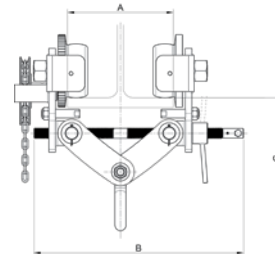
1t - 6t



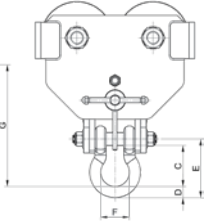
10t



6t



10t



## PLAIN ADJUSTABLE TROLLEY

Product Code	Type	Capacity (t)	Track width range (in)	Dimensions (in)						Min. curve ratio (ft)	Net Weight (lb)
				A	B	C	D	E	F		
APT-1	Plain	1.0	3-8	15	3	1	4	3	10-8	3.3	20.9
APT-2	Plain	2.0	3-8	15	4	1	5	4	11-9	4.3	29.8
APT-3	Plain	3.0	3-8	16	4	1	6	4	11-10	4.9	50.7
APT-6	Plain	6.0	4-12	21	4	1	6	5	14-11	4.9	78.3
APT-10	Plain	10.0	6-12	24	5	1	7	3	16-13	8.9	260.1

## GEARED ADJUSTABLE TROLLEY

Product Code	Type	Capacity (t)	Track width range (in)	Dimensions (in)						Min. curve ratio (ft)	Net Weight (lb)
				A	B	C	D	E	F		
AGT-1	Geared	1.0	3-8	15	3	1	4	3	10-8	3.3	TBA
AGT-2	Geared	2.0	3-8	15	4	1	5	4	11-9	4.3	TBA
AGT-3	Geared	3.0	3-8	16	4	1	6	4	11-10	4.9	62.8
AGT-6	Geared	6.0	4-12	21	4	1	6	5	14-11	4.9	88.2
AGT-10	Geared	10.0	6-12	24	5	1	7	3	16-13	8.9	487.2



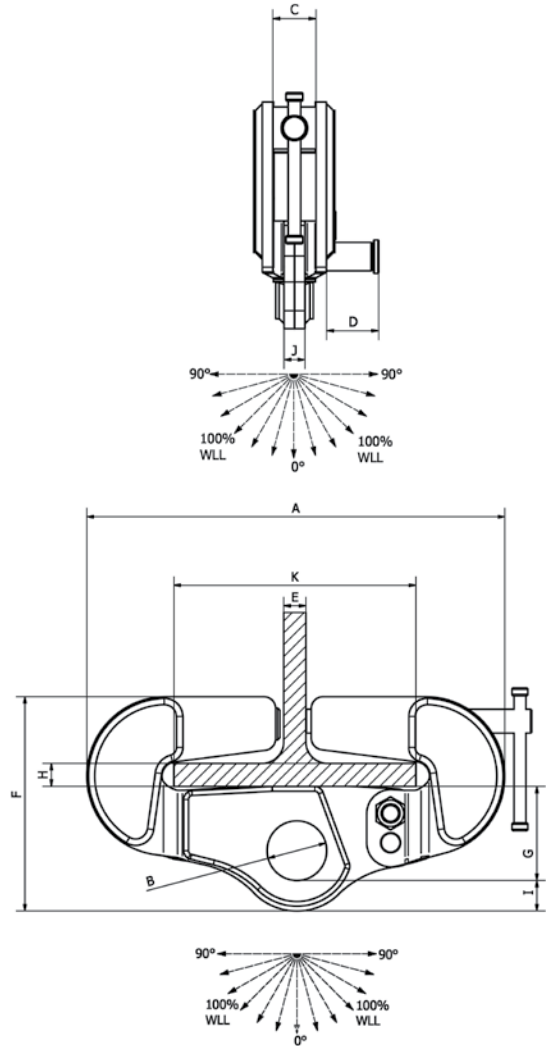




# UNIVERSAL GRIPPA CLAMP



- Designed for vertical & side load applications at full rated capacity
- Developed for lifting, pulling, and as an anchor point
- The raised eye design allows for a full 90° side pull from both sides
- Low headroom concept
- Can be rated for personnel tie-off, upon request 4:1 safety factor
- Individually Load tested to 2x the rated load



## SPECIFICATIONS & DIMENSIONS - UNIVERSAL GRIPPA CLAMP

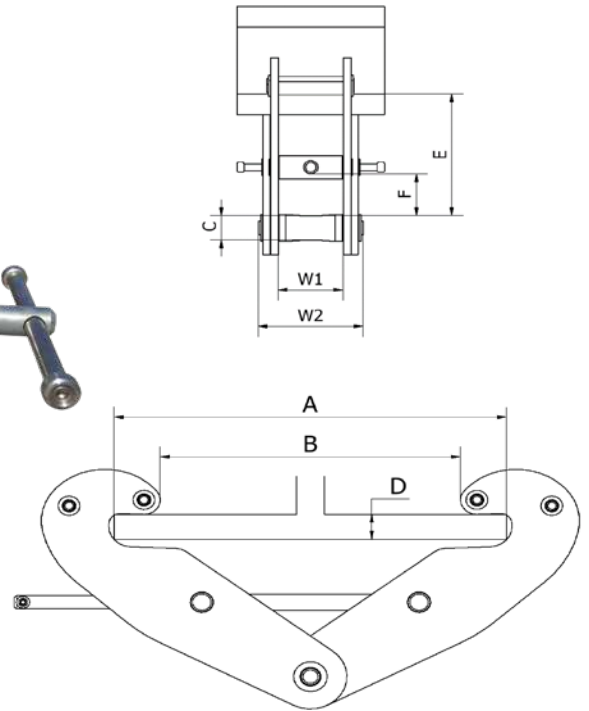
MODEL	S.W.L. (t)	S.W.L. (Ton)	A	Ø B	C	D	E	F	G	H	I	J	K	WEIGHT (lbs)
UGC-2	2	2.2	14.2	2.0	2.0	2.0	1.3	8.2	3.6	1.0	0.9	0.6	4.9 to 8.0	22
UGC-3	3	3.3	15.4	2.7	2.0	2.0	1.3	9.0	3.9	1.0	1.1	0.8	4.9 to 8.0	31
UGC-5	5	5.5	20.7	3.0	2.0	2.0	1.3	10.6	4.7	1.0	1.5	1.0	4.9 to 12.00	62
UGC-10	10	11	20.7	3.0	2.0	4.0	1.3	10.7	4.7	1.0	1.5	2.0	4.9 to 12.00	93
UGC-20	20	22	27.6	4.7	3.7	*	1.6	*	*	1.8	*	1.6	4.9 to 20.5	145

If the end user is solely using the clamp for hanging vertical loads under a beam, then a standard girder clamp is recommended. Reasoning is that in the event of a shock load, the UGC could slide into the radius of the web, potentially causing damage to the clamp heads and the beam.





# GRIPPA GIRDER CLAMPS



## SPECIFICATIONS & DIMENSIONS - GRIPPA GIRDER CLAMP PREMIUM INDUSTRIAL OPTION

MODEL	S.W.L. (kg)	S.W.L. (lbs)	APERTURE (in.)		WIDTH (in.)		"C" (in.)	WEIGHT (lbs)	"D" Beam Aperture (in)	"E" (in)	"F" (in)
			"A"	"B" MAX	W1	W2					
GS-2	2000	4400	2.9-9.8	9.8	2.5	3.9	0.87	10	0.7	4.02-5.56	1.20-2.38
GS-3	3000	6600	3.3-11.8	11.8	2.8	4.7	1	17.5	0.9	4.99-6.81	1.62-3.03
GS-5	5000	11000	4.7-16.9	16.9	3.3	5.6	1.3	36	1.2	7.24-9.79	2.63-4.62
GS-10	10000	22000	7.8-17.7	17.7	4.1	7.3	1.8	73	2.3	8.17-10.57	2.59-4.31
GS-20	20000	44000	7.8-18.9	18.9	4.7	9.3	2.4	141	2.7	9.16-11.42	3.40-5.24
GS-32	32000	70500	9.0-30.0	30	9	14.4	3.4	313	3.1	13.4-17.77	6.13-10.4
GS-32-36 inch	32000	70500	9.0-36.0	36.3	9	14.4	3.4	341	3.1	15.6-21.3	6.00-9.00

\*GS Model Units are Standard Stock

## SPECS & DIMS. GRIPPA GIRDER CLAMP - CORROSION RESISTANT, SPARK RESISTANT, 100% STAINLESS STEEL CONSTRUCTION

MODEL	S.W.L. (kg)	S.W.L. (lbs)	APERTURE (in.)		WIDTH (in.)		"C" (in.)	WEIGHT (lbs)	"D" Beam Aperture (in)	"E" (in)	"F" (in)
			"A"	"B" MAX	W1	W2					
GS-2-SS	2000	4400	2.9-9.8	9.8	2.5	3.9	0.87	10	0.7	4.02-5.56	1.20-2.38
GS-3-SS	3000	6600	3.3-11.8	11.8	2.8	4.7	1	17.5	0.9	4.99-6.81	1.62-3.03
GS-5-SS	5000	11000	4.7-16.10	16.9	3.4	5.6	1.4	37	1.2	7.12-9.75	2.47-4.53

\*GS Model Units are Standard Stock





## GRIPPA ADJUSTABLE RAIL LIFTING CLAMPS



- 3 ton capacity
- Heavy duty clamp, originally designed for the harsh mining environments of South Africa
- Robust steel construction
- Suitable for most rail sizes
- This clamp should be used in pairs

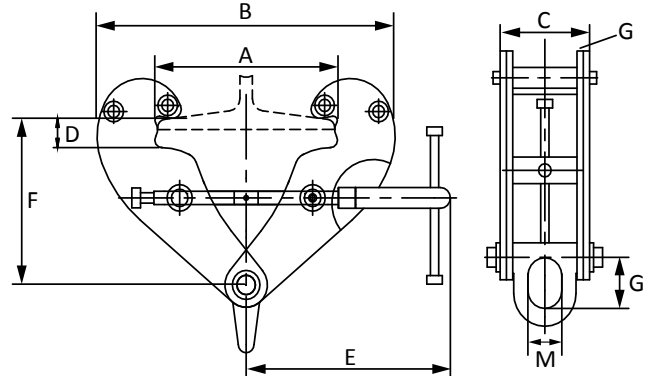
### SPECIFICATIONS & DIMENSIONS - GRIPPA ADJUSTABLE RAIL LIFTING CLAMPS

MODEL	S.W.L. (kg)	S.W.L. (lbs)	APERTURE	WIDTH	HOLE "C"	WEIGHT (lbs)
GCRC3	3000	6600	DIMENSIONS SAME AS MODELS GS/GH + 2T UNIT			17

Conforms to CSIR tests: Endurance Test 60,000 Cycles at 1.5 x SWL and Factor of Safety Min 4 x SWL



# EYE BEAM CLAMP



This I-beam clamp can be used as an anchor for various applications and for any type of construction. The 'eye' shackle design assists the user in rigging, and the zinc plated clamp screw assembly allows for easy adjustment of the clamp. This clamp features metric capacities that range from 1, 2, 3, 5, and 10 tons.

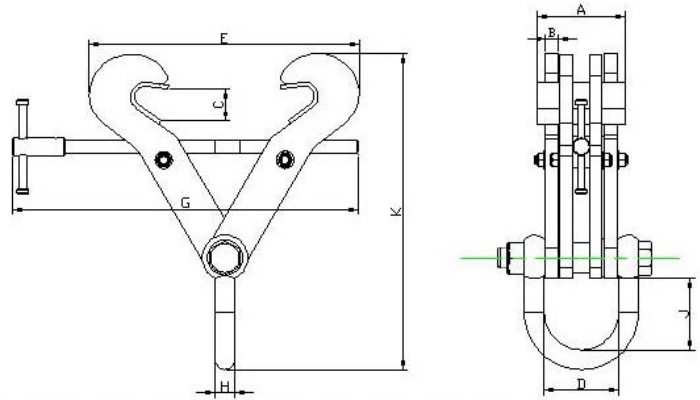
SPECIFICATIONS & DIMENSIONS - EYE BEAM CLAMP						
Model		EBC-1	EBC-2	EBC-3	EBC-5	EBC-10
S.W.L.	(lbs)	2200	4400	6600	11000	22000
S.W.L.	US ton	1.1	2.2	3.3	5.5	11
Weight	(lbs)	11	12	24	28	45
Dimensions (in)	A	3.1-9.6	3.1-9.6	3.5-12.2	3.5-12.2	3.5-11.8
	B	7.2-14.7	7.2-14.7	9.4-20.4	9.4-20.4	9.4-20.4
	C	2.6	2.9	4.1	4.4	4.7
	D	0.7	0.7	1.1	1.1	1.1
	E	8.3	8.3	10.2	10.2	11
	F	4-6.4	4-6.4	5.3-8.8	5.3-8.8	6.2-9
	G	0.98	0.98	1.77	1.77	1.97
	M	1.10	1.1	1.7	1.7	2.3

\* Load ratings are based upon 0 to 15° vertical lift.

\* Consult a certified rigger when in doubt, for rigging and placement of the clamps



# JUMBO BEAM CLAMP



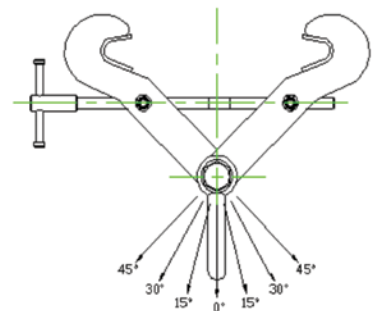
The Jumbo Beam Clamp is a great option for rigging applications. This clamp line features a wide jaw opening for wide flange beams used throughout industry. The JBC's clamp screw assembly is also zinc plated. This clamp series features metric capacities that range from 3, 5, 6, 10 and 16 tons.

## SPECIFICATIONS & DIMENSIONS - JUMBO BEAM CLAMP

Type	S.W.L. (lbs.)	S.W.L. US Ton	Beam Width (inch)	Dimensions (inch)									Jaw Type	Weight (lbs)
				A	B	C	D	E max	G	H	J	K min		
JBC-3A	6600	3.3	3.00-7.48	5.12	0.55	1.06	4.21	10.71	10.87	0.79	3.35	10.00	Fixed	18
JBC-5A	11000	5.5	6.00-12.00	5.50	0.55	1.81	4.80	17.72	16.10	0.98	3.90	12.56	Fixed	33
JBC-5B	11000	5.5	3.00-7.48	5.50	0.55	1.81	4.80	13.39	13.35	0.98	3.90	12.99	Fixed	22
JBC-6	13200	6.6	8.00-18.00	6.60	0.55	2.17	4.57	23.62	22.01	0.98	3.90	16.46	Fixed	42
JBC-10	22000	11	8.00-18.00	5.51	0.79	2.17	4.69	23.62	22.01	1.26	3.90	16.46	Fixed	62
JBC-16A	35000	17.6	16.00-24.00	6.89	0.79	3.00	5.12	24.02	31.89	1.77	7.87	25.75	Fixed	135
JBC-16B	35000	17.6	8.00-18.00	6.89	0.79	3.00	5.12	17.99	25.98	1.77	7.87	22.60	Fixed	119

## SIDE LOAD ACROSS BEAM ONLY - CLAMP MUST BE FLUSH ON BEAM WITH SHACKLE AT A ZERO DEGREE DOWNWARD FACING ANGLE

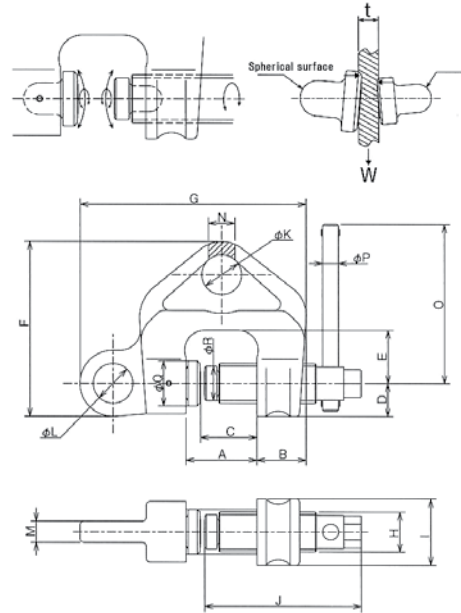
Chart only applies to overhead beam attachment. If clamps are being used to lift beams, this information is not applicable. Table applies to the listed models only. Stress calculations should be performed by the end user's engineering dep.	Reduction in working load limit when side loads are applied				
	Angle from vertical (degree)	0	0 to 15	15 to 30	30 to 45
	Reduction Factor	NIL	17.00%	34.00%	50.00%
	Model	WLL	WLL	WLL	WLL
	JBC-3A	3 ton	2.5 ton	2 ton	1.5 ton
	JBC-5A	5 ton	4.1 ton	3.3 ton	2.5 ton
	JBC-6	6 ton	5 ton	4 ton	3 ton
	JBC-10	10 ton	8.3 ton	6.6 ton	5 ton
	JBC-16B JBC-16A	16 ton	13.2 ton	10.5 ton	8 ton



\* Warning: Clamps must be installed properly and fully tightened  
 \* Always contact the manufacturer when in doubt



# WF SCREW TYPE CLAMP OMNIDIRECTIONAL DOUBLE CAM LOCK SCREW TYPE CLAMP



- One of the world's lightest screw clamps: Main body, cam and screw are made of a special alloy steel which is manufactured using our original heat treatment process. They are compact and superior in strength.
- The round double cam lock design allows for a stronger clamping capacity and safe operation. The turning of the round double cams engages the clamp load. Both cams contact the internal spherical surface assuring safe operation, free from slipping.
- Two lifting holes allow for omnidirectional, vertical and horizontal lifts.
- The clamp can be used to hoist inclined loads such as I-beams. **Do not place on a beam taper that exceeds 10°.**
- The fine screw threading creates a vibration resistant clamp.
- Round cam and screw are corrosion resistant with the main body of the clamp having a baked finish.
- Lifting & Transporting: General steel products such as H beams, I beams, steel plate, channel and angle iron. Various structures also include steel braces and pillars.
- Suspension: Clamps can be used for suspending manual chain hoists, electric chain hoists, etc...
- Dragging: The clamps can be used for pulling bottom steel board and other objects along the ground.

## SPECS. - WF SCREW TYPE CLAMP

Model	Capacity (t)	Min. Capacity (t)	Jaw Opening (in)	Weight (lbs)
WF-0.5	0.5	0.05	.003-1.10	3.7
WF-1	1.0	0.1	.003-1.57	6.4
WF-2	2.0	0.2	.003-1.77	11.7
WF-3	3.0	0.3	.24-1.93	15.8
WF-5	5.0	0.5	.35-2.08	23.4

## DIMS - WF SCREW TYPE CLAMP

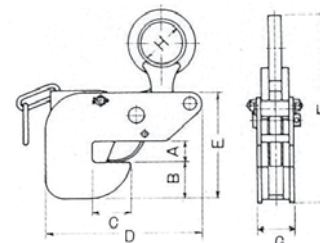
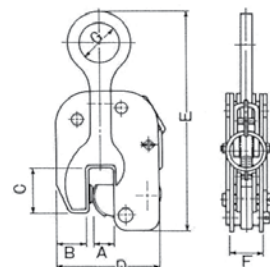
Model	A	B	C	D	E	F	G	H	I	J	øK	øL	M	N	O	øP	øQ	øR
WF-0.5	1.61	1.26	1.20	0.83	1.30	4.25	5.43	0.94	1.65	3.86	0.98	0.98	0.47	0.63	4.72	0.39	1.02	0.83
WF-1	2.11	1.50	1.67	0.98	1.57	5.20	6.77	1.18	1.97	4.65	1.18	1.18	0.63	0.79	4.72	0.47	1.34	1.42
WF-2	2.36	1.77	1.87	1.22	1.61	6.18	7.95	1.42	2.44	4.96	1.38	1.38	0.87	1.10	5.91	0.47	1.42	1.14
WF-3	2.58	2.05	2.03	1.38	2.17	6.69	9.06	1.65	2.76	5.47	1.65	1.65	1.10	1.30	6.30	0.47	1.57	1.42
WF-5	2.80	2.24	2.19	1.50	1.81	7.36	9.76	1.89	2.95	5.39	1.81	1.81	1.50	1.57	7.09	0.47	1.61	1.42

ø = Diameter





# VA & HAR PLATE CLAMPS



- Heavy duty industrial design, Made in JAPAN
- Elephant's clamp mechanism will visually inform the end user of potential danger caused by wear or previous overload upon the user's inspection, before use
- The lifting eye has vertical and horizontal hole punches which allow the end user to check for overload. For example, if the lifting eye appears oblong on a 1t clamp and the difference of distance between two vertical holes or two horizontal holes are more than 0.08" (2mm), then the overload was about 6 tons
- Overload will first appear as a visual indicator on the lifting eye, when it oblongs. After the eye, deformation will appear in the link assembly, and then the lifting eye pin.
- The tread on the clamp's cam will wear with time, allowing a visual inspection. As the teeth wear down, the user visually notes to make repair
- The clamps have yellow indicators painted on the side plates, which allow the user to check whether or not the load is properly placed within the clamp before use (going past or above the yellow line, verses going above or next to the yellow line). See the user manual for more detailed information.

## DIMENSIONS (IN.) - VERTICAL PLATE CLAMPS

Model	Capacity (t)	Thickness (in)	A	B	C	D	E	F	G	Unit Wt (kg/lbs)
VA-05	0.5	0-0.866	0.9	1.2	2.1	4.5	8.4	1.5	1.8	3.1 / 7
VA-1	1	0-0.98	1.1	1.7	2.6	5.5	10.1	1.8	2.2	5.3 / 12
VA-2	2	0-1.4	1.5	2.0	3.1	6.7	14.0	1.9	2.3	6.2 / 18
VA-3	3	0-1.57	1.7	2.2	3.6	7.8	16.5	2.4	2.8	13.6 / 30
VA-5	5	0-1.96	2.1	2.6	4.1	9.2	19.6	2.8	3.5	20.9 / 46

## DIMENSIONS (IN.) - HORIZONTAL PLATE CLAMPS

Model	Capacity (t)	Thickness	A	B	C	D	E	F	G	H	Unit Wt (kg/lbs)
HAR-05	0.5	0-0.866	0.9	1.6	2.2	7.1	4.8	8.3	1.9	1.8	3.7 / 8
HAR-1	1	0-0.98	1.1	1.8	2.3	8.4	5.4	9.6	2.2	2.2	6.3 / 14
HAR-2	2	0-1.4	1.5	2.3	3.0	9.3	6.9	11.8	2.9	2.4	10.6 / 23
HAR-3	3	0-1.57	1.7	2.5	3.7	10.6	7.3	13.3	3.1	2.8	12.2 / 27
HAR-5	5	0-1.77	1.9	3.0	3.8	11.8	8.5	15.5	3.3	3.5	18.7 / 41

# LOAD TEST STANDS

- Hand operated hydraulic pump eliminates the need for electrical power.
- Designed for testing of hoisting equipment as required by ASME B30.16
- Capable of static testing and dynamic testing.
- Tests the function of load limiting and overload devices.
- Rugged, reinforced steel frame construction for strength and durability.
- High quality hydraulic cylinder made for long life and durability.
- Two stage, quick acting hand pump for speed and ease of operation.
- Fine adjustment pressure valve for accurate load testing.
- Large pressure gauge for easy reading.
- Software template for technical printout of test results.
- Hydraulic pump located on the side for safe operation.



## Technical Data: Model ETS-7.5

- Mobil Test Stand, with base mounted wheels and "fork slots" for easy movement
- Overall Dim.: 27"Wx25"Lx61"H
- Hydraulic Cylinder Type:  
Single acting, spring return
- Maximum pulling force: 7.5 tons (15,000 lbs) @ 6,787 p.s.i.
- Stroke: 2-1/2" inches
- 16" between vertical supports
- 36" height between bearing points
- Hydraulic Hand Pump: 2 speed
- System pressure: 0 – 7,000 psi
- Weight: 228 lbs.



## Technical Data: Model ETS-20

- Overall Dim.: 48"Wx40"Lx99"H
- Hydraulic Cylinder: Single acting, spring return
- Maximum pulling force: 20 tons @ 8,466 p.s.i.
- Stroke: 6 inches
- Hydraulic Hand Pump:
  - 35-1/2" between vertical supports 56" height between bearing points
  - 2 speed
  - System pressure: 0 – 10,000 p.s.i.
  - Reservoir: 5.14 pints
  - Valve: Two speed, fine adjustment pressure preset
  - Gauge: Glycerin filled – 4.0" dia.
- Frame: Mounting holes in base for permanent mount
- Weight: 735 lbs.



## Technical Data: Model ETS-30

- Overall Dim.: 59"Wx186"Lx50"H
- Hydraulic Cylinder
  - Type: Single acting, spring return
  - Maximum pulling force: 30 tons @ 6,944 p.s.i.
  - Stroke: 6 inches
- Hydraulic Hand Pump:
  - 34-1/4" between vertical supports 140" between bearing points
  - 2 speed
  - System pressure: 0 – 10,000 p.s.i.
  - Reservoir: 5.14 pints
  - Valve: Two speed, fine adjustment pressure preset
  - Gauge: Glycerin filled – 4.0" dia.
- Frame: American Steel
- Weight: 2242 lbs.



MADE IN THE USA

# WARRANTY

All hoists sold by Elephant Lifting Products, L.L.C. are assembled, inspected, and tested prior to shipment from the factory site.

All manual hoist products, manual trolleys, and beam / girder clamps carry a 1 year warranty. All pneumatic and electric hoist products have a 1 year warranty period. Spare parts will also carry a 1 year warranty period. These products are warranted to be free from defects in workmanship and in materials used in the construction of each unit. The warranty date of these products begins from the date of shipment by any authorized Elephant Lifting Products, L.L.C. distributor.

All of these hoist products must be used within accordance of the manufacturer's recommendations. It is important that these products not be altered, abused, misused, neglected of proper maintenance, or have any unauthorized repairs done to them. If failure occurs, and inspection reveals that the problem is caused by defective materials or workmanship, repairs will be made without charge to the customer. A customer must obtain an RGA number before return. Elephant Lifting Products will then instruct which authorized repair center the unit and / or units should be shipped to. All approved warranty claims on products will be shipped back to the customer, freight prepaid. Warranty does not cover products that are abused, overloaded, neglected of maintenance, used improperly, side loaded, shock loaded, or subjected to harmful environmental conditions.

Elephant Lifting Products, L.L.C. will not be liable for loss, damage, expense, injury to property, injury to people, death, any consequential damages and disclaims any other expressed / implied product warranty, including warranties of merchant ability and fitness for a particular application. A valid proof of purchase must accompany the warranty claim.

**WARNING:** Unless otherwise specified, these machines are not designed for personnel handling or lifting loads above people. It is the user's responsibility to determine what equipment is suitable for the application, and to comply with regulation. Always read and understand the operations manual, review warnings, and take precaution. It is strongly recommended that you understand suggested maintenance of the product, and have a maintenance plan in place.

**MANUAL CHAIN HOISTS | LEVER HOISTS | ELECTRIC HOISTS  
PNEUMATIC CHAIN HOISTS | APPLIED PRODUCTS**

**Elephant Lifting Products, LLC**  
**Distributed by Ergonomic Partners**  
**Sales@ErgonomicPartners.com**  
**www.ErgonomicPartners.com**  
**Tel: 314-884-8884**